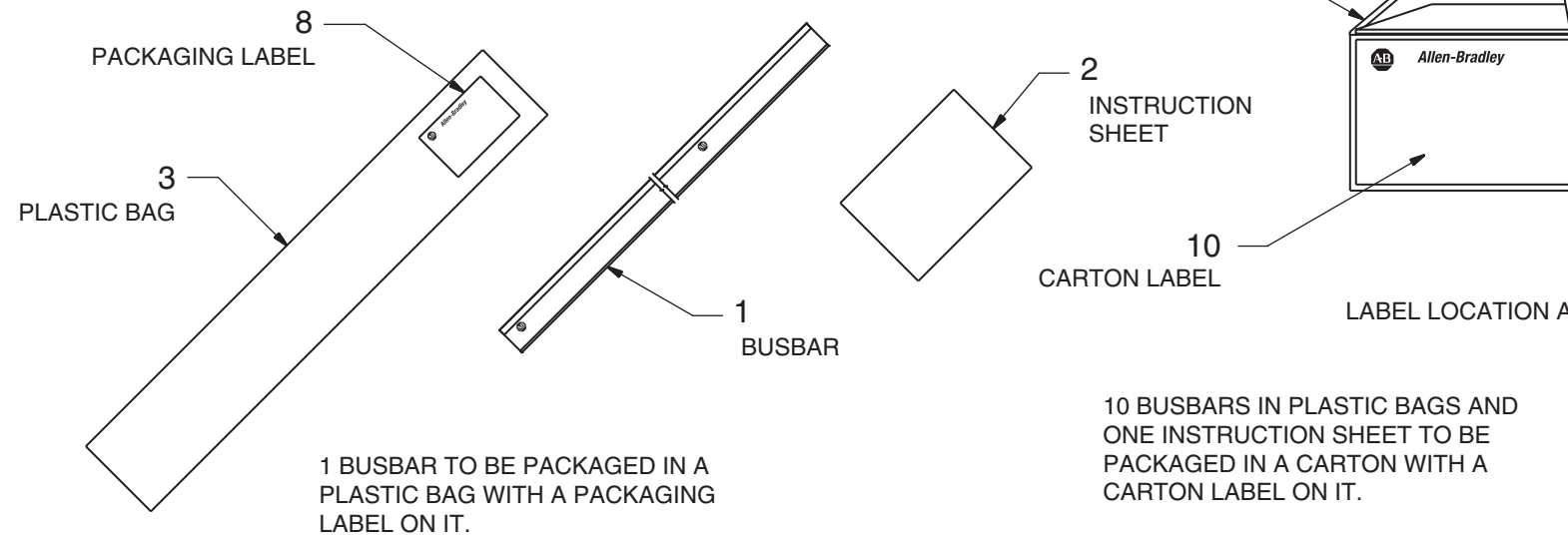


MONOGRAM  
PER 40028-500

PRINTING  
SEE NOTES 4 AND 5

1 INSULATION MATERIAL: PC/ABS OR PVC - (LEAD FREE) LIGHT GRAY  
COPPER BAR MATERIAL: E-Cu 58 F25



**BILL OF MATERIALS**

AMT PER ASSY	PRT. REQ.	PART NUMBER	DESCRIPTION	IT.
	10	SEE NOTES 1 & 2	BUSBAR	1
	1	10000049753	INSTRUCTION SHEET	2
	10	SEE NOTES 1 & 2	PLASTIC BAG	3
	1	SEE NOTES 1 & 2	CARTON, WHITE CHIPBOARD 0.6mm THICK (4.5 X 7 X 10.3cm)	5
	10	PER 10000054430	PACKAGING LABEL	8
	1	PER 10000054430	CARTON LABEL	10
0.1			ONE CATALOG UNIT	
A	A	1492-A1B8	ALLEN-BRADLEY CATALOG NO.	SER.
		PN-35293	MATERIAL NO.	
	10		STD. PKG. QTY.	

**NOTES:**

1. NO ALLEN-BRADLEY PART NUMBER.
2. SUPPLIED BY VENDOR.
3. ALL DIMENSIONS ARE REF. ONLY AND IN mm UNLESS OTHERWISE SPECIFIED.
4. RETAIN RELATIVE SIZE AND POSITION OF CHARACTERS AND MARKINGS AS SHOWN.
5. PRINTING - BLACK INK PAD TRANSFER.

**Rockwell Automation**

CONFIDENTIAL AND PROPRIETARY INFORMATION. THIS DOCUMENT CONTAINS CONFIDENTIAL AND PROPRIETARY INFORMATION OF ROCKWELL AUTOMATION, INC. AND MAY NOT BE USED, COPIED OR DISCLOSED TO OTHERS, EXCEPT WITH THE AUTHORIZED WRITTEN PERMISSION OF ROCKWELL AUTOMATION, INC.

SINGLE PHASE BUSBAR  
80A

Sheet 1 Of 1

Size C

10000050053

Ver 00

Dr. G. Fillus

Date 3-10-09