

# Fuse Holder Specifications

Bulletin Number 140F

Topic	Page
Product Description	1
Summary of Changes	2
Product Selection	2
Technical Specifications	2
Wiring Diagrams	3
Approximate Dimensions	4
Additional Resources	5

## Product Description

Bulletin 140F Fuse Holders are available for UL Class CC or Midget Fuses and IEC 10 x 38 mm fuses, with or without blown fuse indication. They are lockable in the open position and compatible with Bulletin 140M accessories.

Bulletin 140F fuse holders have these features:

- Compact busbar and connectors for Bulletin 100-C and 100-K contactors
- 1 N.O./1 N.C. Auxiliary Contact—late make N.O., early break N.C.
  - Provides capability for dropping out contactor before breaking current on fuses
  - Late make N.O. contact provides positive indication that power circuit is open



## Summary of Changes

This publication contains new and updated information as indicated in the following table.

Topic	Page
Added complete catalog numbers and product selection.	2
Added specifications.	2

## Product Selection

Description	Fuse Withstand, Max. (kA)	Voltage Rating, Max. (V)	Approvals				Cat. No.
			IEC	CE Marking	UL	CSA	
Fuse Holder, UL Class CC — 30 A max.	200	600	Yes	Yes	Yes	Yes	140F-D3C-C30
Fuse Holder with Blown Fuse Indication, UL Class CC — 30 A max.			Yes	Yes			140F-D3C-C30L
Fuse Holder, UL Midget — 30 A max.	200	600	Yes	Yes			140F-D3F-C30
Fuse Holder, IEC 10 x 38 mm — 32 A max.	120	690					140F-D3F-C30L
Fuse Holder with Blown Fuse Indication, UL Midget — 30 A max.	200	600	Yes	Yes			
Fuse Holder with Blown Fuse Indication, IEC 10 x 38 mm — 32 A max.	120	690					
Auxiliary Contact for Fuse Holder (1 N.O. Late Make + 1 N.C. Early Break)	—	—	Yes	Yes	Yes	Yes	140F-C-AFA11

## Technical Specifications

Attribute	Value
Maximum Voltage Rating	600V AC - Class CC Fuse or Midget Fuse 690V AC - IEC 10 x 38 mm Fuse
Temperature, Storage	-25...+65 °C (-13...+149 °F)
Temperature, Operating	-20...+55 °C (-4...+130 °F)
Wire Size	16...10 AWG (1...4 mm <sup>2</sup> ), 75 °C Minimum Copper Wire only
Tightening Torque	1.7 N•m (15 lb•in)
Interrupt Rating	200 kA - Class CC 100 kA - Midget Fuse dependent
Certifications	UL 512 CSA 22.2, No. 39 IEC/EN 60947-3

## Wiring Diagrams

Figure 1 - UL/CSA (ANSI)

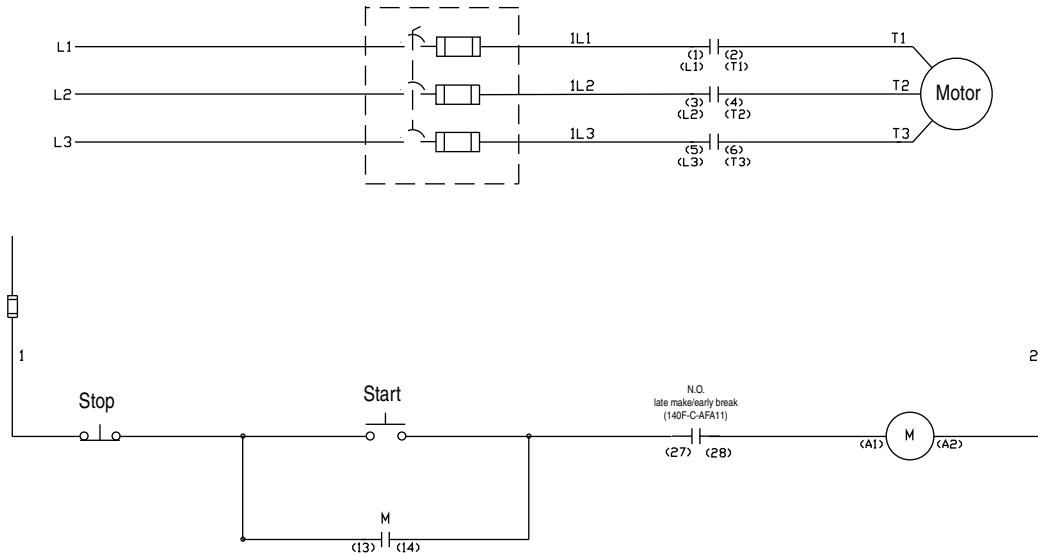
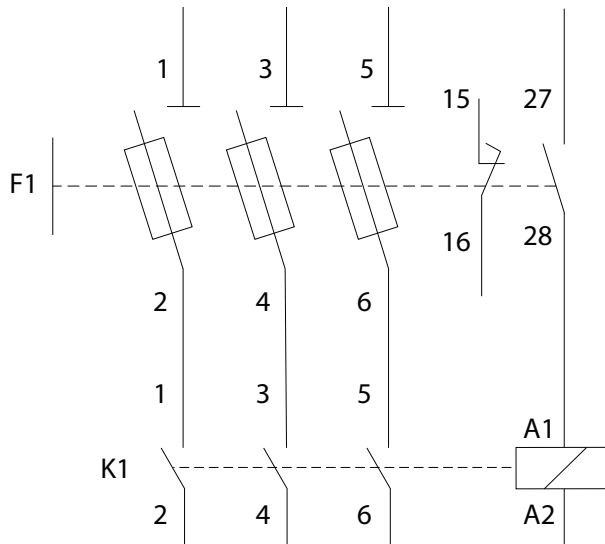


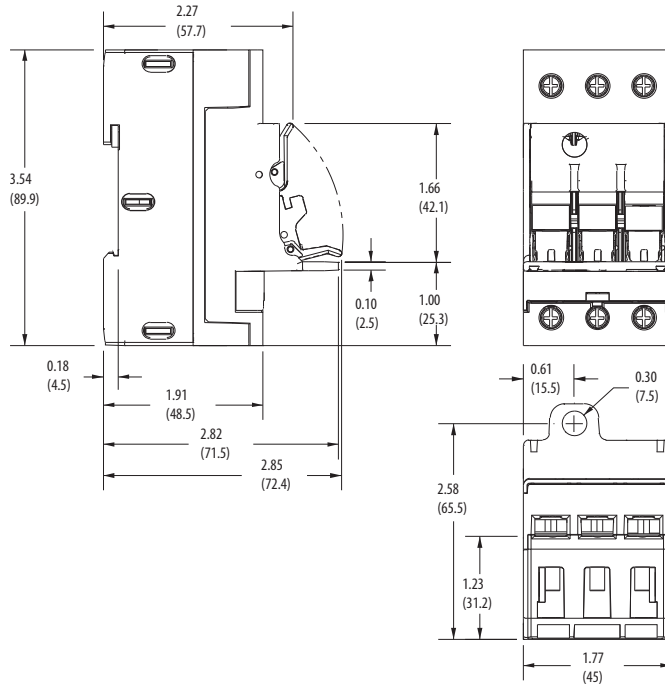
Figure 2 - IEC



### Approximate Dimensions

Dimensions are in inches (mm). Dimensions are not to be used for manufacturing purposes.

Figure 3 - Dimensions



## Additional Resources

These documents contain additional information concerning related products from Rockwell Automation.

Resource	Description
Industrial Automation Wiring and Grounding Guidelines, publication <a href="#">1770-4.1</a>	Provides general guidelines for installing a Rockwell Automation industrial system.
Product Certifications website, <a href="http://rok.auto/certifications">rok.auto/certifications</a> .	Provides declarations of conformity, certificates, and other certification details.

You can view or download publications at <http://www.rockwellautomation.com/global/literature-library/overview.page>.

## Rockwell Automation Support

Use the following resources to access support information.

<b>Technical Support Center</b>	Knowledgebase Articles, How-to Videos, FAQs, Chat, User Forums, and Product Notification Updates.	<a href="http://www.rockwellautomation.com/knowledgebase">www.rockwellautomation.com/knowledgebase</a>
<b>Local Technical Support Phone Numbers</b>	Locate the phone number for your country.	<a href="http://www.rockwellautomation.com/global/support/get-support-now.page">www.rockwellautomation.com/global/support/get-support-now.page</a>
<b>Direct Dial Codes</b>	Find the Direct Dial Code for your product. Use the code to route your call directly to a technical support engineer.	<a href="http://www.rockwellautomation.com/global/support/direct-dial.page">www.rockwellautomation.com/global/support/direct-dial.page</a>
<b>Literature Library</b>	Installation Instructions, Manuals, Brochures, and Technical Data.	<a href="http://www.rockwellautomation.com/literature">www.rockwellautomation.com/literature</a>
<b>Product Compatibility and Download Center (PCDC)</b>	Get help determining how products interact, check features and capabilities, and find associated firmware.	<a href="http://www.rockwellautomation.com/global/support/pcdc.page">www.rockwellautomation.com/global/support/pcdc.page</a>

## Documentation Feedback

Your comments will help us serve your documentation needs better. If you have any suggestions on how to improve this document, complete the How Are We Doing? form at [http://literature.rockwellautomation.com/idc/groups/literature/documents/du/ra-du002\\_-en-e.pdf](http://literature.rockwellautomation.com/idc/groups/literature/documents/du/ra-du002_-en-e.pdf).

Rockwell Automation maintains current product environmental information on its website at <http://www.rockwellautomation.com/rockwellautomation/about-us/sustainability-ethics/product-environmental-compliance.page>.

Allen-Bradley, LISTEN. THINK. SOLVE., Rockwell Automation, and Rockwell Software are trademarks of Rockwell Automation, Inc. Trademarks not belonging to Rockwell Automation are property of their respective companies.

Rockwell Otomasyon Ticaret A.Ş., Kar Plaza İş Merkezi E Blok Kat:6 34752 İçerenköy, İstanbul, Tel: +90 (216) 5698400

**[www.rockwellautomation.com](http://www.rockwellautomation.com)**

### Power, Control and Information Solutions Headquarters

Americas: Rockwell Automation, 1201 South Second Street, Milwaukee, WI 53204-2496 USA, Tel: (1) 414.382.2000, Fax: (1) 414.382.4444  
Europe/Middle East/Africa: Rockwell Automation NV, Pegasus Park, De Kleetlaan 12a, 1831 Diegem, Belgium, Tel: (32) 2 663 0600, Fax: (32) 2 663 0640  
Asia Pacific: Rockwell Automation, Level 14, Core F, Cyberport 3, 100 Cyberport Road, Hong Kong, Tel: (852) 2887 4788, Fax: (852) 2508 1846

Publication 140F-TD001B-EN-P - February 2020

Supersedes Publication 140F-TD001A-EN-P - September 2014

Copyright © 2020 Rockwell Automation, Inc. All rights reserved. Printed in the U.S.A.