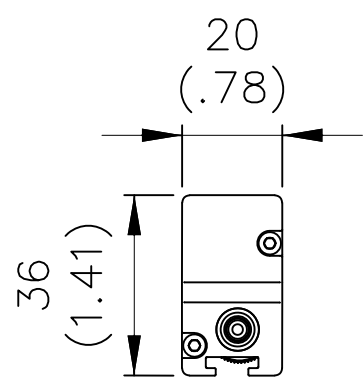
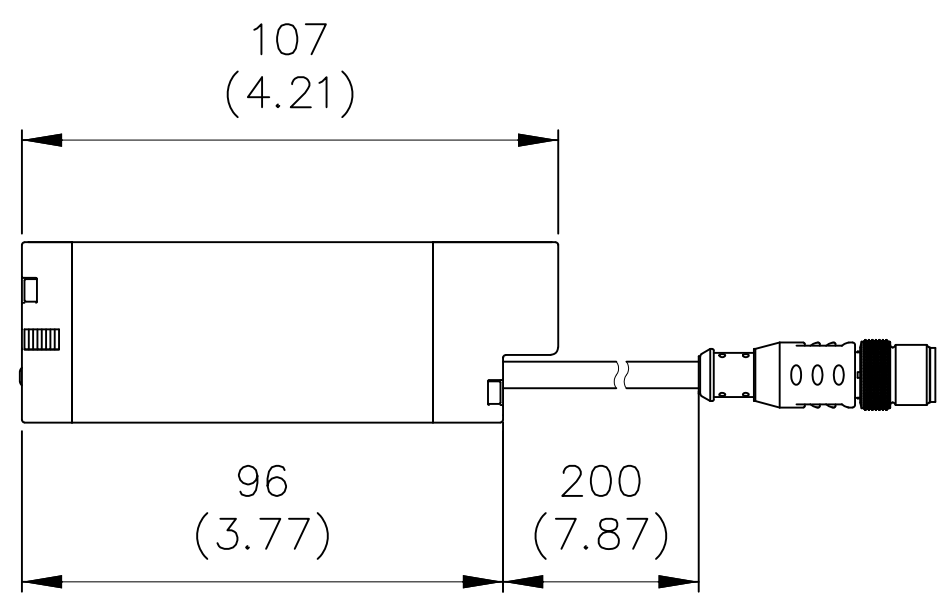


1 2 3 4 5 6 7 8

A
B
C
D
E
F
G
H



NOTES:

- 1. ALL DIMENSIONS ARE IN MM (INCHES).

Rockwell Automation		CONFIDENTIAL AND PROPRIETARY INFORMATION. THIS DOCUMENT CONTAINS CONFIDENTIAL AND PROPRIETARY INFORMATION OF ROCKWELL AUTOMATION, INC. AND MAY NOT BE USED, COPIED OR DISCLOSED TO OTHERS, EXCEPT WITH THE AUTHORIZED WRITTEN PERMISSION OF ROCKWELL AUTOMATION, INC.					
		45PLA ARRAY		Sheet	1	Of	1
Drawn by: SRMATHA		Date: 02/20/2019		Size			Ver
				B			