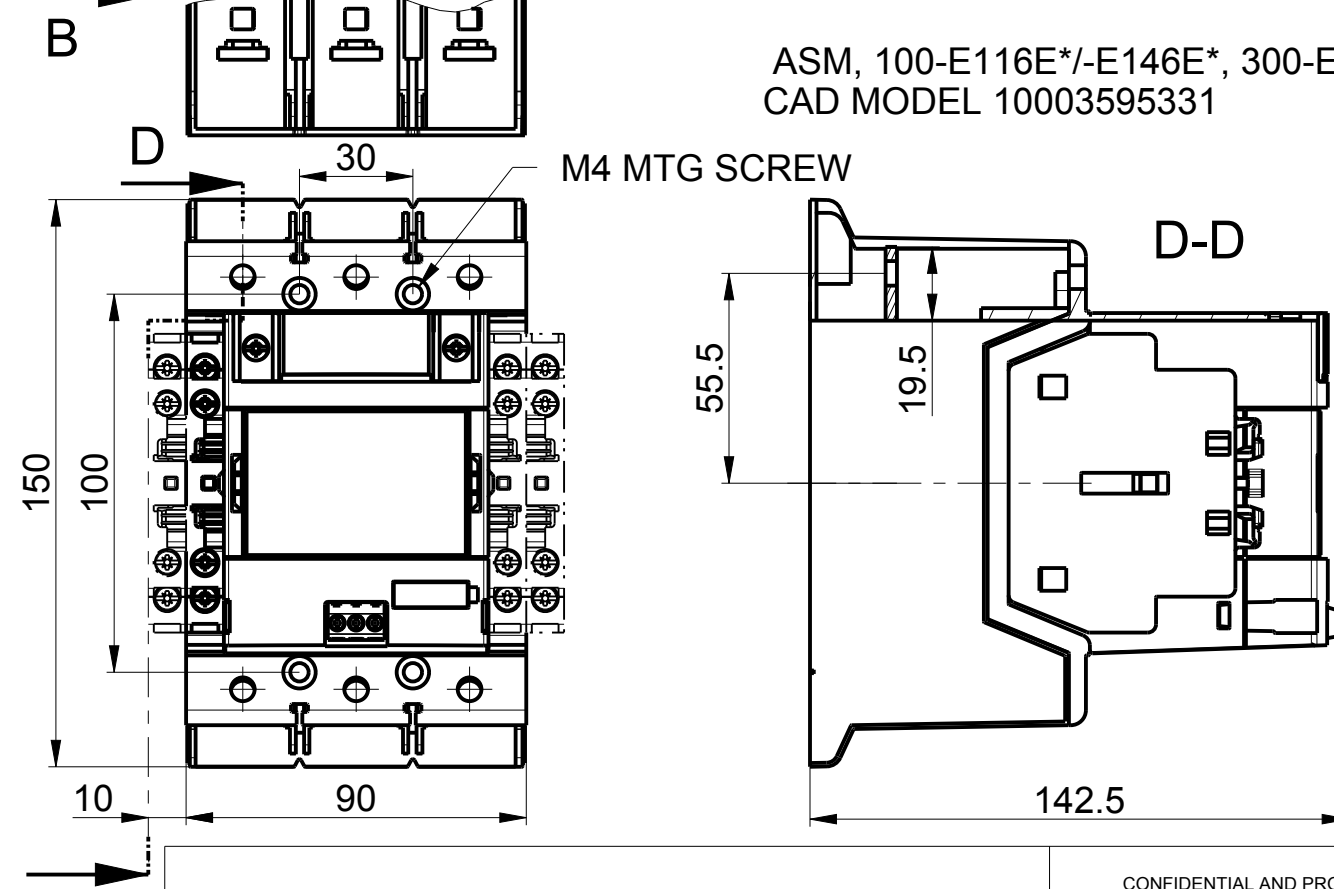
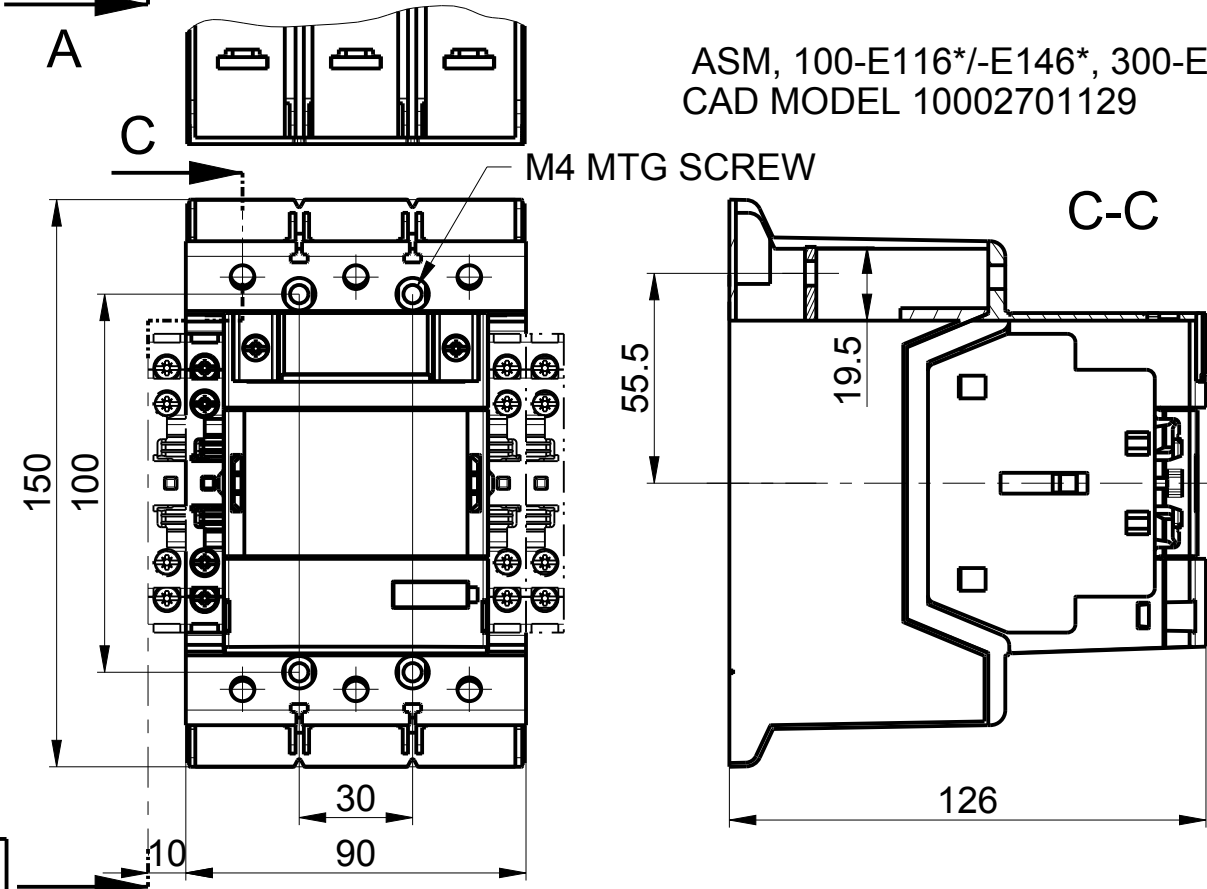
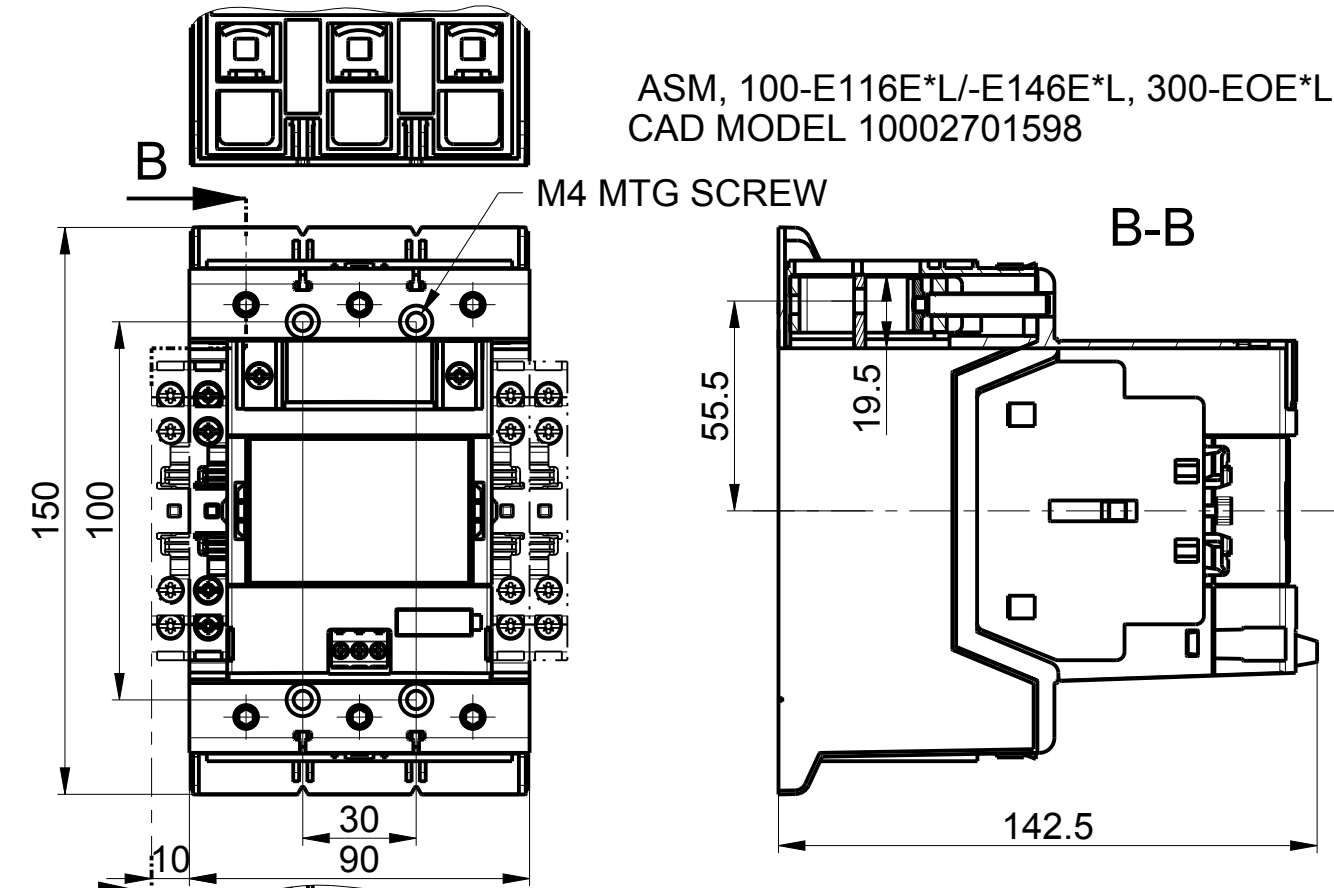
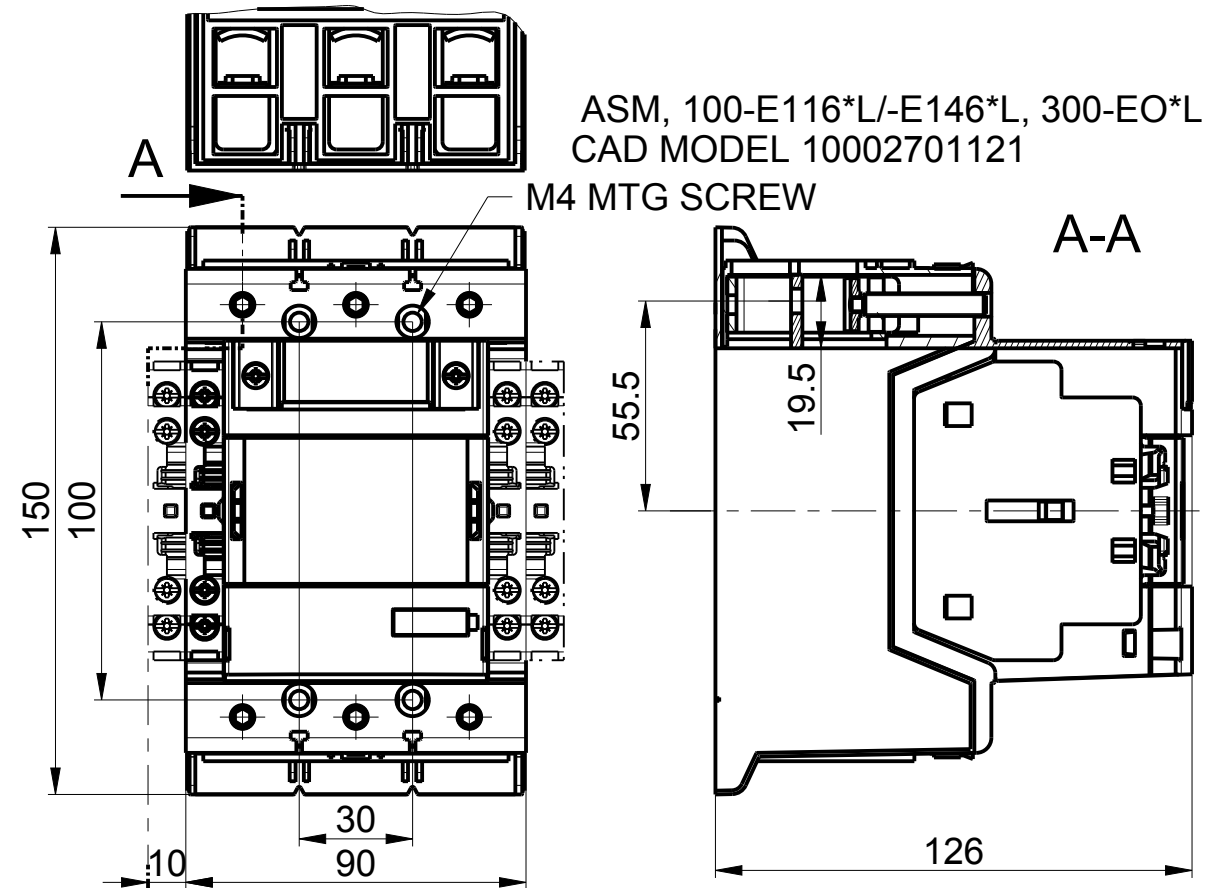
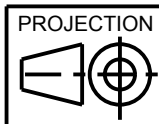


A
B
C
D



PARTS MUST CONFORM TO
ROCKWELL AUTOMATION
ENVIRONMENTAL SPECIFICATION
970-20-01

General tolerances according to:



**Rockwell
Automation**

CONFIDENTIAL AND PROPRIETARY INFORMATION.
THIS DOCUMENT CONTAINS CONFIDENTIAL AND PROPRIETARY
INFORMATION OF ROCKWELL AUTOMATION, INC. AND MAY
NOT BE USED, COPIED OR DISCLOSED TO OTHERS, EXCEPT
WITH THE AUTHORIZED WRITTEN PERMISSION OF ROCKWELL
AUTOMATION, INC.

100-E IEC & NEMA SIZE 4 DIMENSIONAL DRW

Sheet 1 Of 1

Drawn by: CWYRSCH

Date: 01-19-2018

Size	Ver
A3	00

10003600562