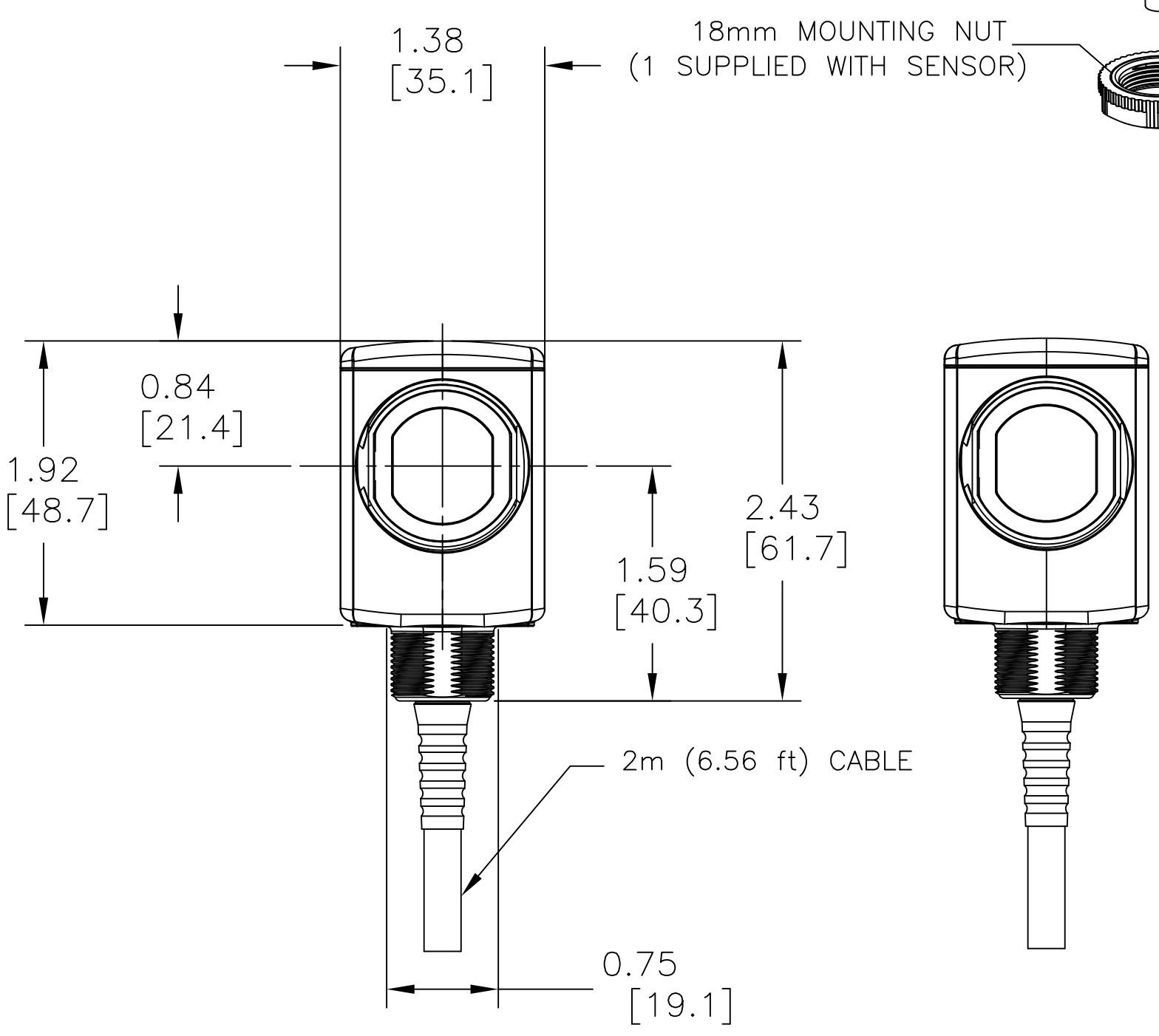
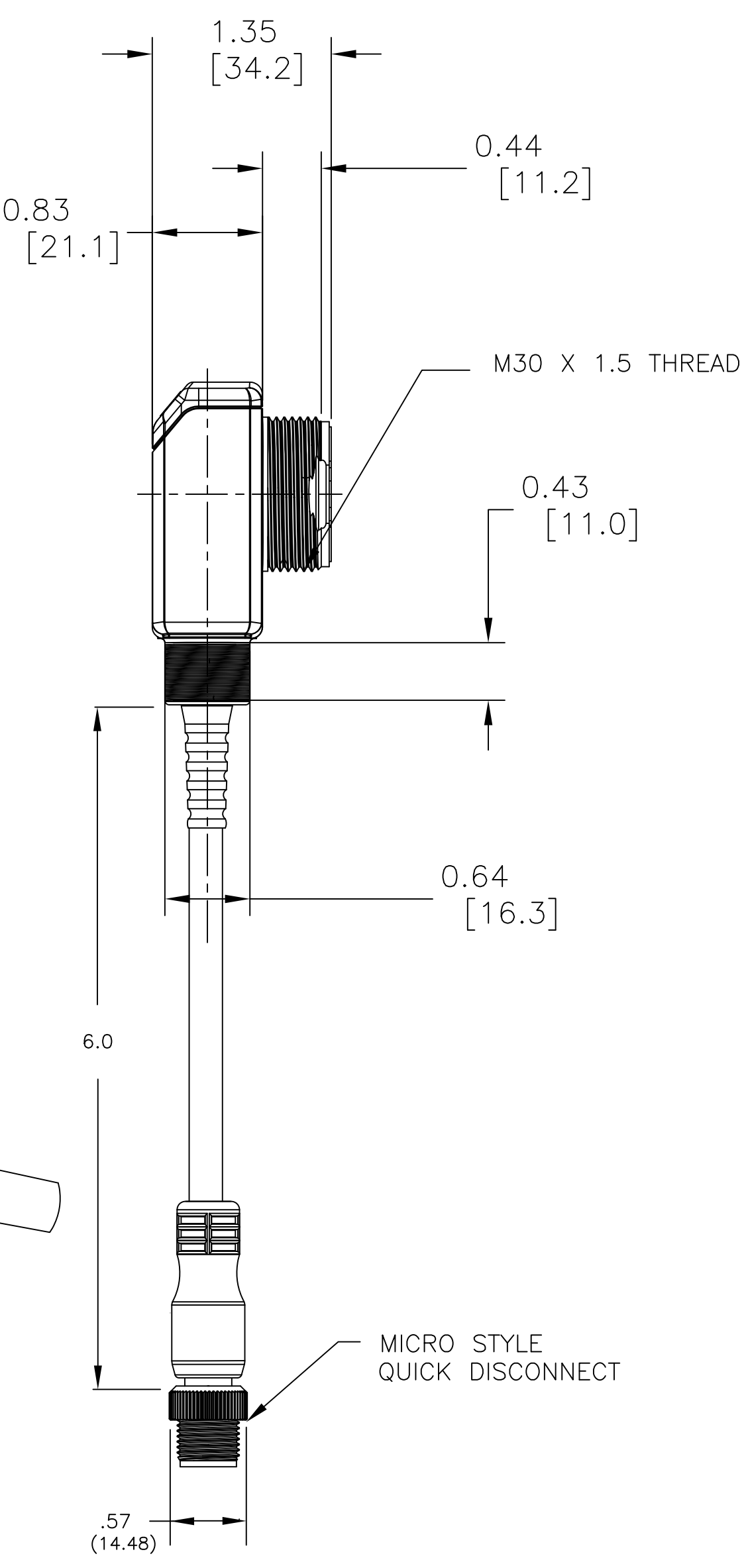
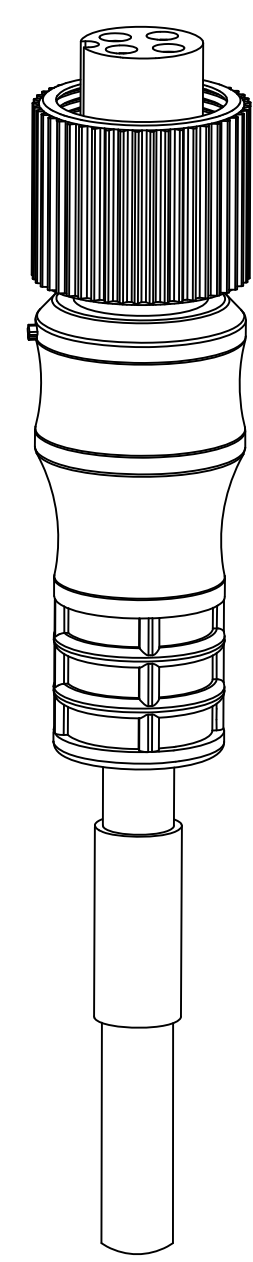


42AF AC PRETRO ASSY			
CATALOG NO.	SERIES	DESCRIPTION	CONNECTORS
42AF-P2SHB1-G4	A	42AF AC PRETRO ASSY	PIG TAIL
42AF-P2RHB1-G4	A		
42AF-P2CHB1-A2	A		
42AF-P2MAB1-D4	A	APOLLO DC PRETRO ASSY	889D-F4AC-2-DC MICRO (M12) FEMALE, 4-PIN STRAIGHT MATING CONNECTOR 889D-R4AC-2-DC MICRO (M12), FEMALE, RIGHT ANGLE, 4-PIN MATING CONNECTOR
42AF-P2MAB1-F4	A		PIG TAIL
42AF-R1MAB1-F4	A		PIG TAIL
42AF-R1MAB1-D4	A	42AF THROUGH BEAM RECIEVER DC ASSY	889D-F4AC-2-DC MICRO (M12) FEMALE, 4-PIN STRAIGHT MATING CONNECTOR 889D-R4AC-2-DC MICRO (M12), FEMALE, RIGHT ANGLE, 4-PIN MATING CONNECTOR
42AF-R1SHB1-G4	A		
42AF-R1CHB1-A2	A		
42AF-R1RHB1-G4	A		
42AF-E1EZB1-D4	A	42AF THROUGH BEAM EMITTER DC ASSY	889D-F4AC-2-DC MICRO (M12) FEMALE, 4-PIN STRAIGHT MATING CONNECTOR 889D-R4AC-2-DC MICRO (M12), FEMALE, RIGHT ANGLE, 4-PIN MATING CONNECTOR
42AF-E1EZB1-F4	A		PIG TAIL
42AF-E1UZB1-A2	A		
42AF-E1UZB1-G4	A		

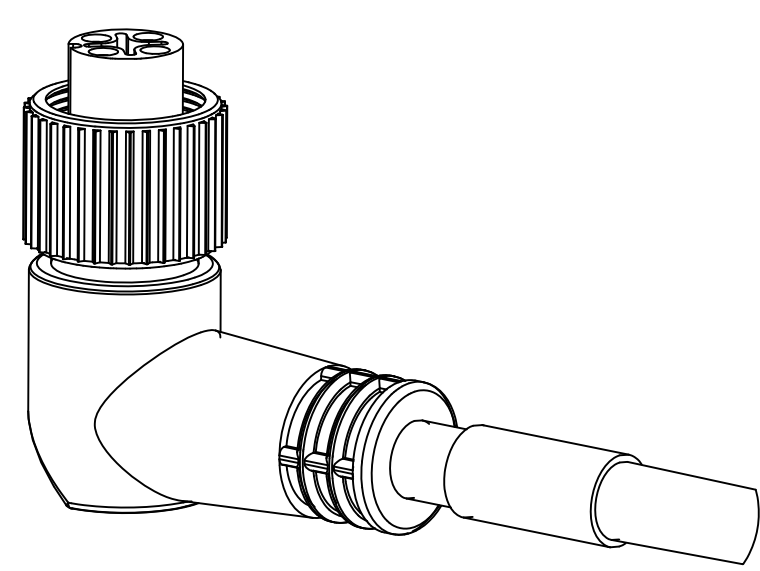


889D-F4AC-2 STRAIGHT



MATING CONNECTOR

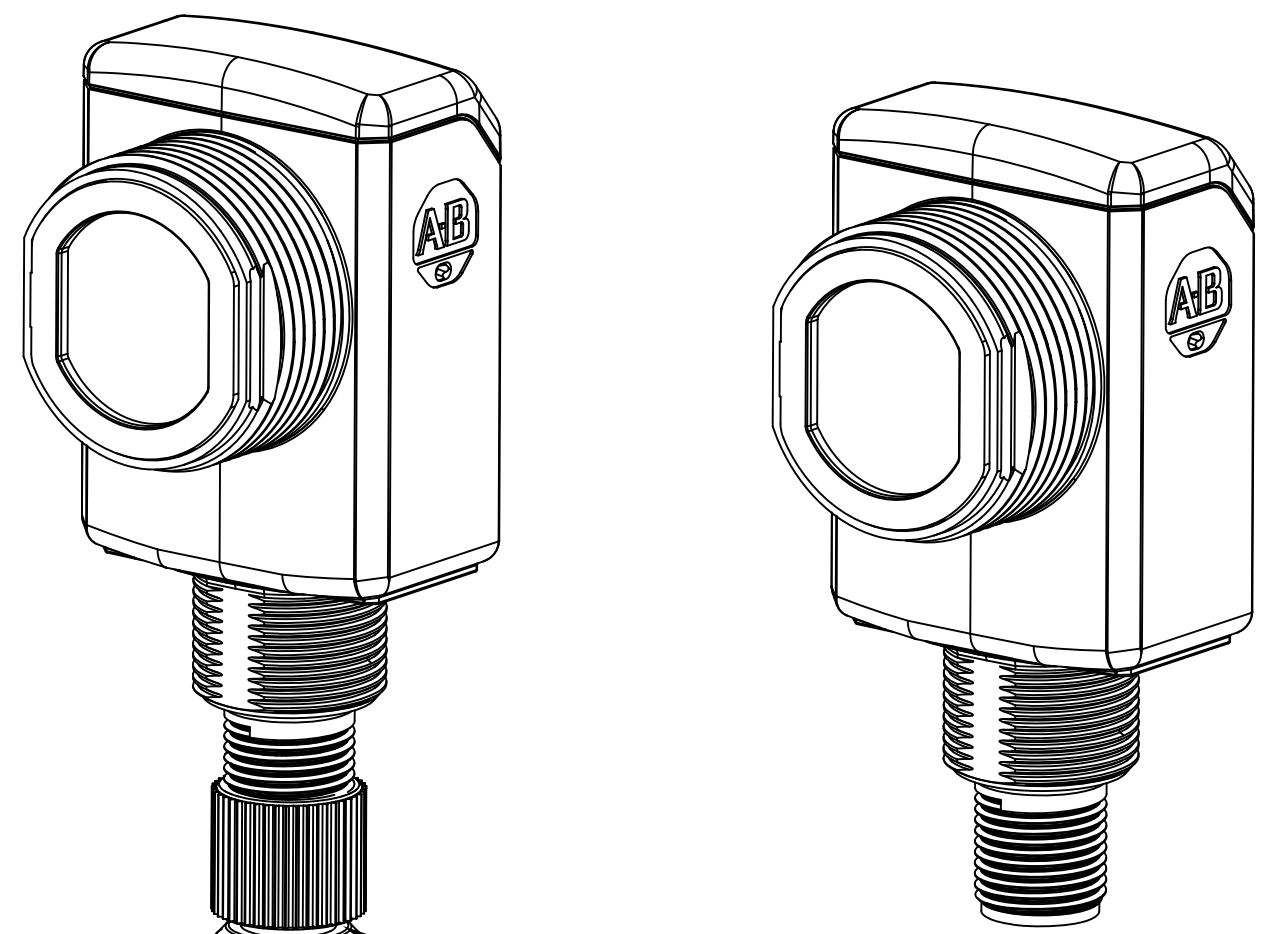
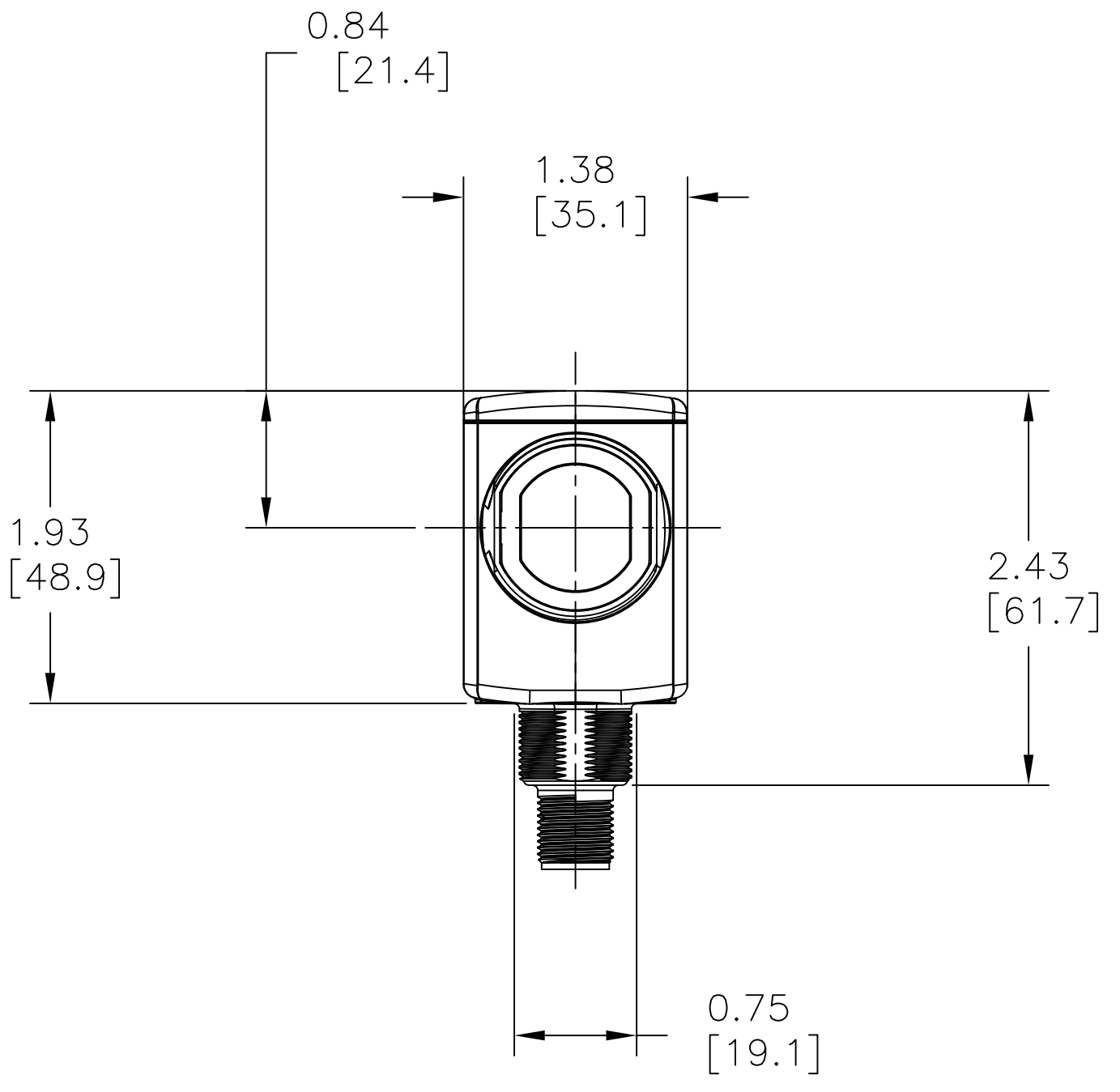
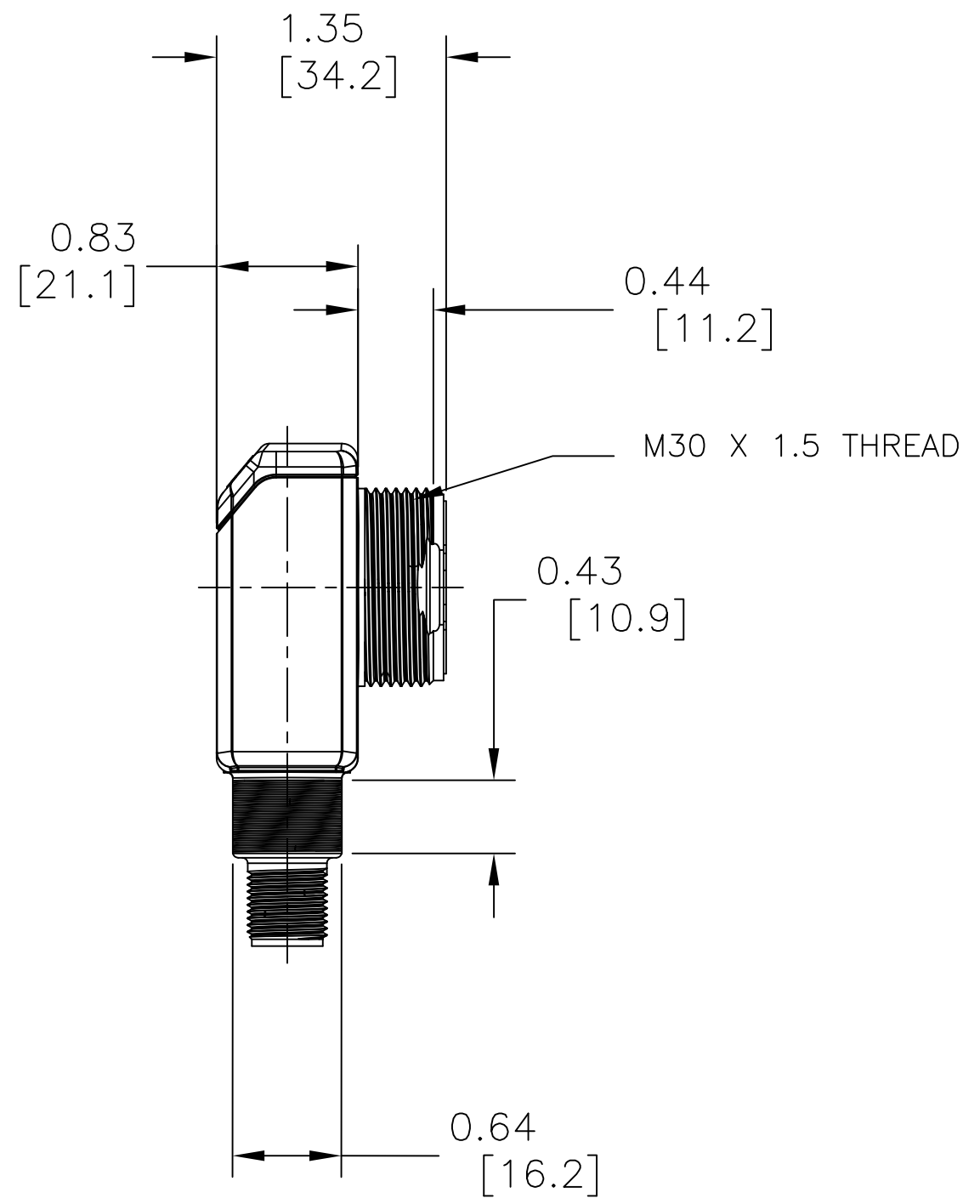
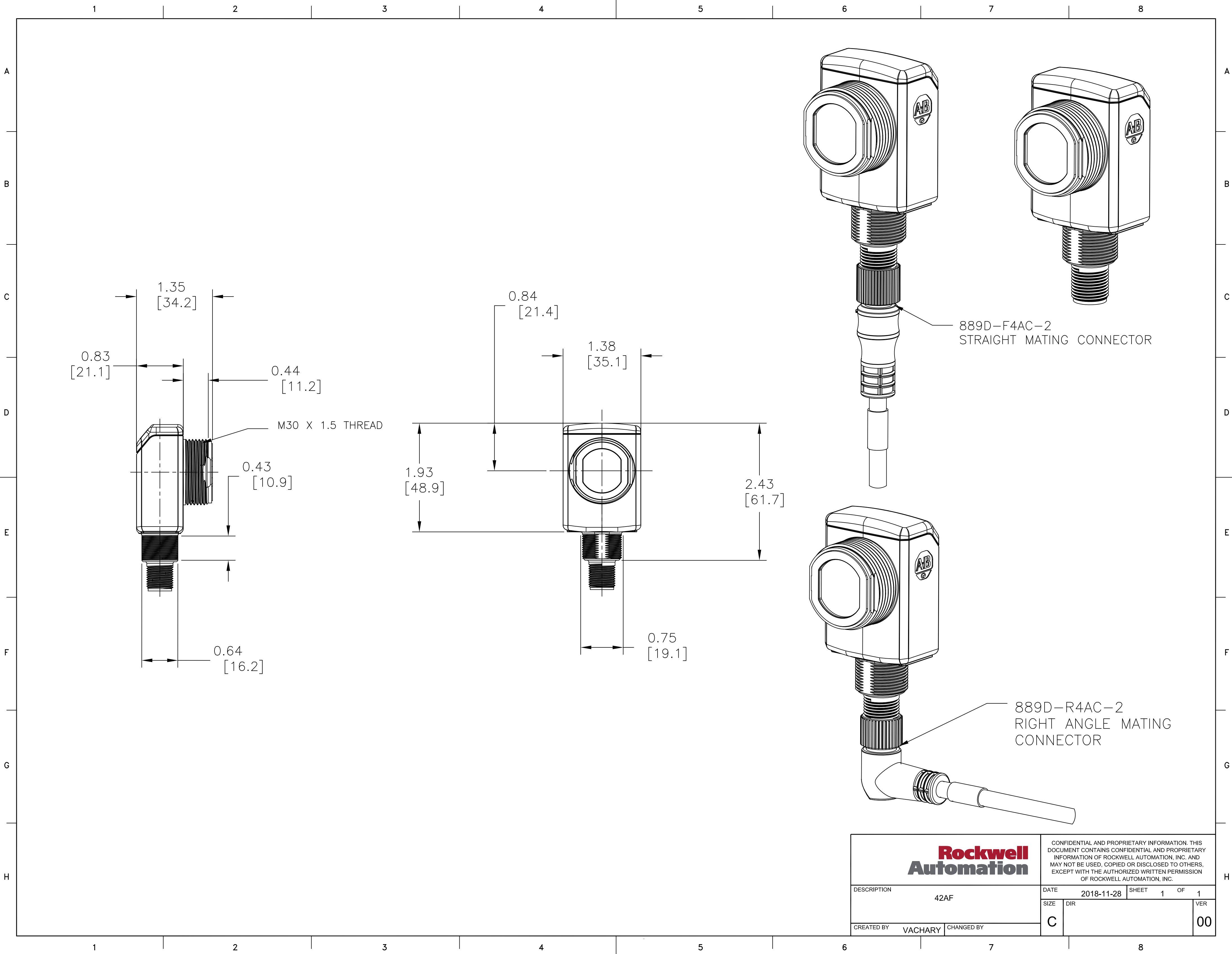
889D-R4AC-2 RIGHT-ANGLE



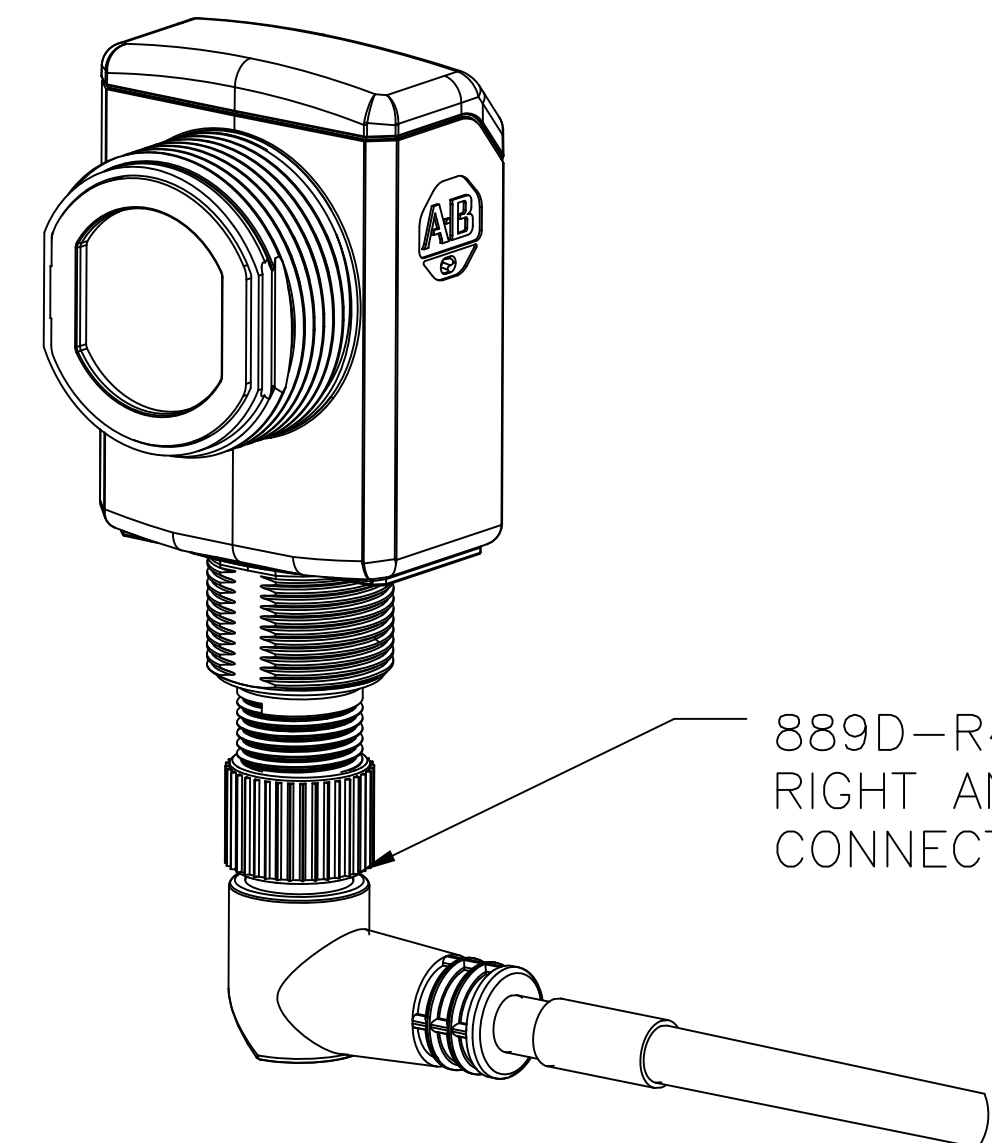
MATING CONNECTOR

NOTE: ALL DIMENSIONS IN INCHES (mm)

		CONFIDENTIAL AND PROPRIETARY INFORMATION. THIS DOCUMENT CONTAINS CONFIDENTIAL AND PROPRIETARY INFORMATION OF ROCKWELL AUTOMATION, INC. AND MAY NOT BE USED, COPIED OR DISCLOSED TO OTHERS, EXCEPT WITH THE AUTHORIZED WRITTEN PERMISSION OF ROCKWELL AUTOMATION, INC.			
		DESCRIPTION	DATE	SHEET	OF
42AF		2018-11-28	1	1	
CREATED BY	VACHARY	CHANGED BY	C	00	



889D-F4AC-2  
STRAIGHT MATING CONNECTOR



889D-R4AC-2  
RIGHT ANGLE MATING CONNECTOR

		<small>CONFIDENTIAL AND PROPRIETARY INFORMATION. THIS DOCUMENT CONTAINS CONFIDENTIAL AND PROPRIETARY INFORMATION OF ROCKWELL AUTOMATION, INC. AND MAY NOT BE USED, COPIED OR DISCLOSED TO OTHERS, EXCEPT WITH THE AUTHORIZED WRITTEN PERMISSION OF ROCKWELL AUTOMATION, INC.</small>							
		DESCRIPTION	42AF	DATE	2018-11-28	SHEET	1	OF	1
CREATED BY	VACHARY	CHANGED BY		SIZE	C	DIR		VER	00