

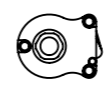
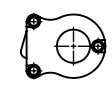
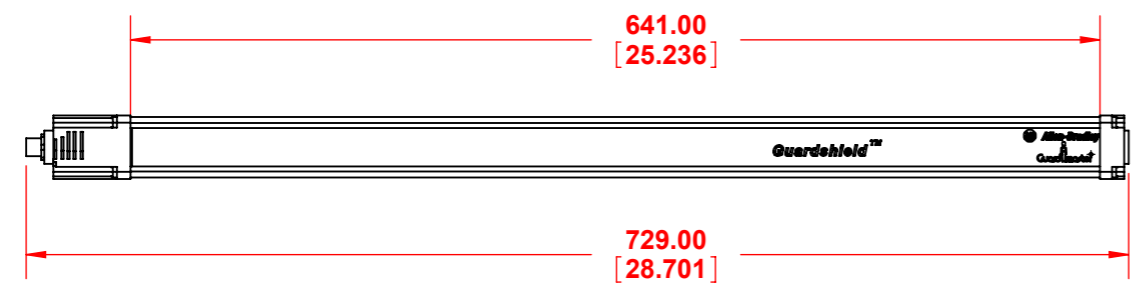
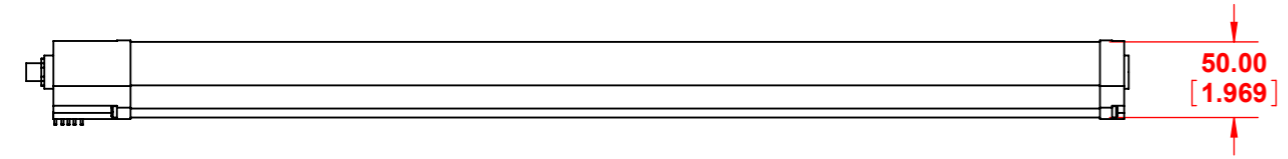
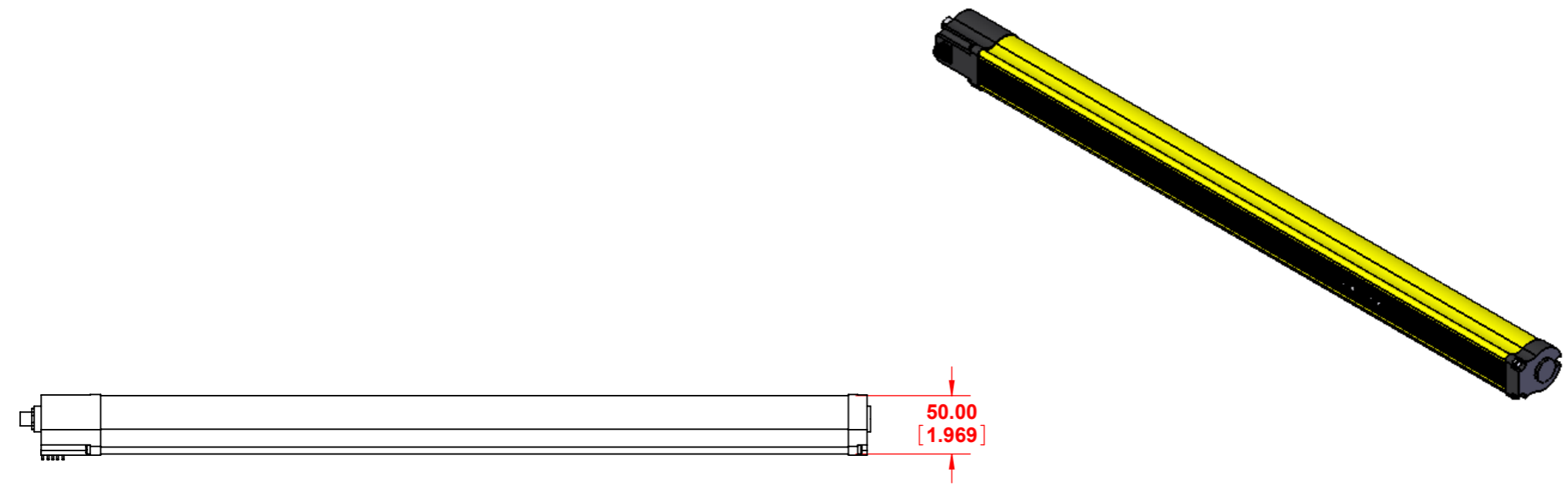
ALL DIMENSIONS ARE REFERENCE ONLY

DO NOT SCALE

ALL DIMENSIONS ARE REFERENCE ONLY

This drawing is the property of Rockwell Automation & may not be used for any other purpose other than that for which it was supplied without the express written authority of Rockwell Automation.

3D CAD System Services
 DRG No.
440I-gnyn-40640



THIRD ANGLE PROJ.  SCALE 1:5

MATERIAL N/A

FINISH N/A

TITLE -



DRAWN	DATE
CHECKED	DATE
APPROVED	DATE

Drawing No.
440I-gnyn-40640

Rockwell Automation