

1

2

3

4

5

6

7

8

A

B

C

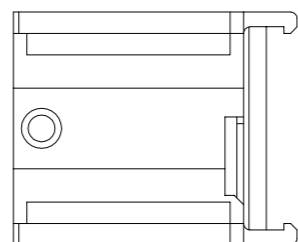
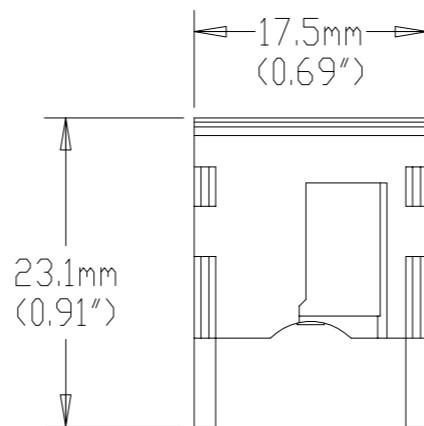
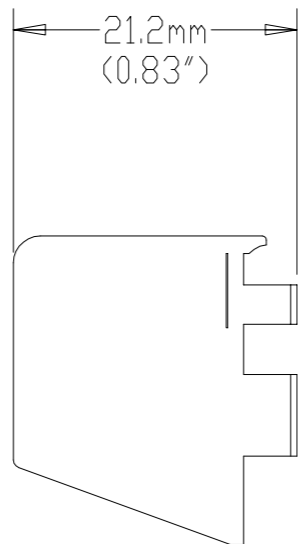
D

E

F

G

H



**Rockwell
Automation**

CONFIDENTIAL AND PROPRIETARY INFORMATION.
THIS DOCUMENT CONTAINS CONFIDENTIAL AND PROPRIETARY
INFORMATION OF ROCKWELL AUTOMATION, INC. AND MAY
NOT BE USED, COPIED OR DISCLOSED TO OTHERS, EXCEPT
WITH THE AUTHORIZED WRITTEN PERMISSION OF ROCKWELL
AUTOMATION, INC.

Sheet 1 of 1

AUX. CONT. 189-AB01 & 189-AB10

Size

Ver

B

10000872009

01

Drawn by: M. GUELM

Date: JAN-30-2015