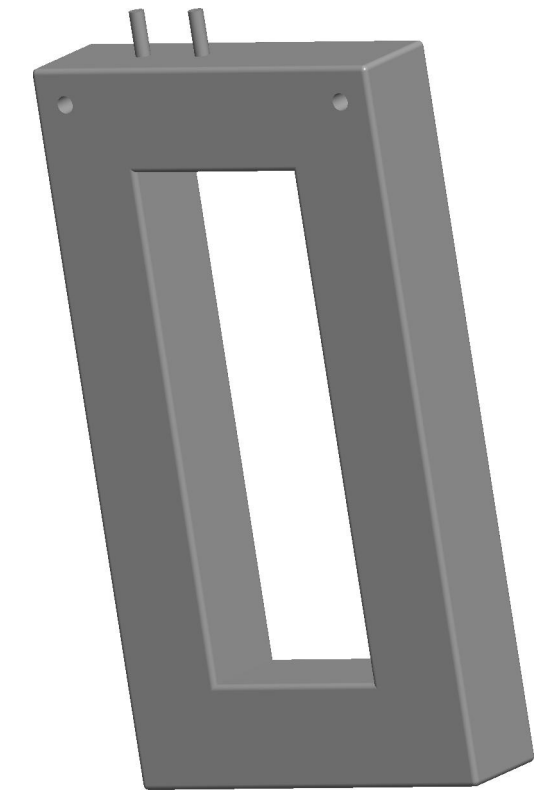
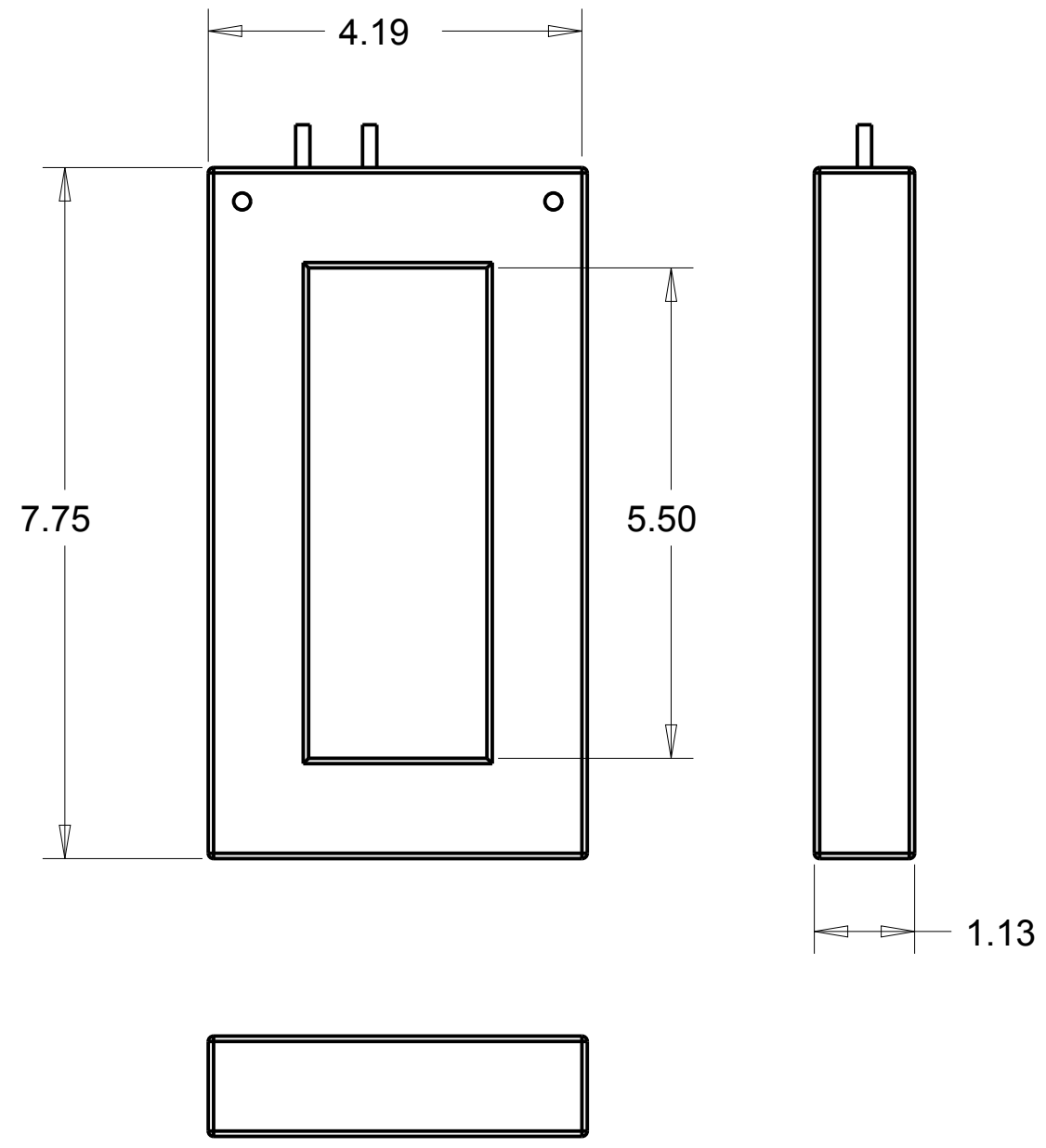


1 2 3 4 5 6 7 8

A  
B  
C  
D  
E  
F  
G  
H



**Rockwell  
Automation**

CONFIDENTIAL AND PROPRIETARY INFORMATION.  
THIS DOCUMENT CONTAINS CONFIDENTIAL AND PROPRIETARY  
INFORMATION OF ROCKWELL AUTOMATION, INC. AND MAY  
NOT BE USED, COPIED OR DISCLOSED TO OTHERS, EXCEPT  
WITH THE AUTHORIZED WRITTEN PERMISSION OF ROCKWELL  
AUTOMATION, INC.

DESCRIPTION	1411600.drw		SHEET 1 OF 1			
	1411-600 2D Drawing		SIZE	DIR	VER	
DRAWN BY: AMAVILA		DATE: 4/16/19		B	10004773359	00