

FLEX I/O Digital Sourcing Input and Sinking Output Modules

Catalog Numbers 1794-IV32, 1794-OV32

Topic	Page
Important User Information	2
Environment and Enclosure	3
North American Hazardous Location Approval	4
Prevent Electrostatic Discharge	5
Install Your Digital Module	7
Configure Your Input Module	12
Configure Your Output Module	13
Specifications	14

Important User Information

Solid-state equipment has operational characteristics differing from those of electromechanical equipment. Safety Guidelines for the Application, Installation and Maintenance of Solid-state Controls (Publication [SGL-1.1](#) available from your local Rockwell Automation sales office or online at <http://www.rockwellautomation.com/literature/>) describes some important differences between solid-state equipment and hard-wired electromechanical devices. Because of this difference, and also because of the wide variety of uses for solid-state equipment, all persons responsible for applying this equipment must satisfy themselves that each intended application of this equipment is acceptable.

In no event will Rockwell Automation, Inc. be responsible or liable for indirect or consequential damages resulting from the use or application of this equipment.

The examples and diagrams in this manual are included solely for illustrative purposes. Because of the many variables and requirements that are associated with any particular installation, Rockwell Automation, Inc. cannot assume responsibility or liability for actual use based on the examples and diagrams.

No patent liability is assumed by Rockwell Automation, Inc. with respect to use of information, circuits, equipment, or software described in this manual.

Reproduction of the contents of this manual, in whole or in part, without written permission of Rockwell Automation, Inc., is prohibited.

Throughout this manual, when necessary, we use notes to make you aware of safety considerations.

	WARNING: Identifies information about practices or circumstances that can cause an explosion in a hazardous environment, which may lead to personal injury or death, property damage, or economic loss.
	ATTENTION: Identifies information about practices or circumstances that can lead to personal injury or death, property damage, or economic loss. Attentions help you identify a hazard, avoid a hazard and recognize the consequences.
	SHOCK HAZARD: Labels may be on or inside the equipment (for example, drive or motor) to alert people that dangerous voltage may be present.
	BURN HAZARD: Labels may be on or inside the equipment (for example, drive or motor) to alert people that surfaces may reach dangerous temperatures.
IMPORTANT	Identifies information that is critical for successful application and understanding of the product.

Environment and Enclosure



ATTENTION: This equipment is intended for use in a Pollution Degree 2 industrial environment, in overvoltage Category II applications (as defined in EN/IEC 60664-1), at altitudes up to 2000 m (6562 ft) without derating.

This equipment is not intended for use in residential environments and may not provide adequate protection to radio communication services in such environments.

This equipment is supplied as open-type equipment for indoor use. It must be mounted within an enclosure that is suitably designed for those specific environmental conditions that will be present and appropriately designed to prevent personal injury resulting from accessibility to live parts. The enclosure must have suitable flame-retardant properties to prevent or minimize the spread of flame, complying with a flame spread rating of 5V A or be approved for the application if nonmetallic. The interior of the enclosure must be accessible only by the use of a tool. Subsequent sections of this publication may contain more information regarding specific enclosure type ratings that are required to comply with certain product safety certifications.

In addition to this publication, see the following:

- Industrial Automation Wiring and Grounding Guidelines, publication [1770-4.1](#), for additional installation requirements.
 - NEMA Standard 250 and EN/IEC 60529, as applicable, for explanations of the degrees of protection provided by enclosures.
-






ATTENTION: Read this document and the documents listed in the Additional Resources section about installation, configuration, and operation of this equipment before you install, configure, operate, or maintain this product. Users are required to familiarize themselves with installation and wiring instructions in addition to requirements of all applicable codes, laws, and standards.

Installation, adjustments, putting into service, use, assembly, disassembly, and maintenance are required to be carried out by suitably trained personnel in accordance with applicable code of practice. In case of malfunction or damage, no attempts at repair should be made. The module should be returned to the manufacturer for repair. Do not dismantle the module.

North American Hazardous Location Approval

The 1794-IV32, 1794-OV32 module is Hazardous Location approved:

The Following Information Applies When Operating This Equipment In Hazardous Locations.	Informations sur l'utilisation de cet équipement en environnements dangereux.
<p>Products marked "CL I, DIV 2, GP A, B, C, D" are suitable for use in Class I Division 2 Groups A, B, C, D, Hazardous Locations and nonhazardous locations only. Each product is supplied with markings on the rating nameplate indicating the hazardous location temperature code. When combining products within a system, the most adverse temperature code (lowest "T" number) may be used to help determine the overall temperature code of the system. Combinations of equipment in your system are subject to investigation by the local Authority Having Jurisdiction at the time of installation.</p>	<p>Les produits marqués "CL I, DIV 2, GP A, B, C, D" ne conviennent qu'à une utilisation en environnements de Classe I Division 2 Groupes A, B, C, D dangereux et non dangereux. Chaque produit est livré avec des marquages sur sa plaque d'identification qui indiquent le code de température pour les environnements dangereux. Lorsque plusieurs produits sont combinés dans un système, le code de température le plus défavorable (code de température le plus faible) peut être utilisé pour déterminer le code de température global du système. Les combinaisons d'équipements dans le système sont sujettes à inspection par les autorités locales qualifiées au moment de l'installation.</p>
<div style="display: flex; align-items: center;">  <div> <p>WARNING: Explosion Hazard –</p> <ul style="list-style-type: none"> • Do not disconnect equipment unless power has been removed or the area is known to be nonhazardous. • Do not disconnect connections to this equipment unless power has been removed or the area is known to be nonhazardous. Secure any external connections that mate to this equipment by using screws, sliding latches, threaded connectors, or other means provided with this product. • Substitution of components may impair suitability for Class I, Division 2. </div> </div>	<div style="display: flex; align-items: center;">  <div> <p>AVERTISSEMENT: Risque d'Explosion –</p> <ul style="list-style-type: none"> • Couper le courant ou s'assurer que l'environnement est classé non dangereux avant de débrancher l'équipement. • Couper le courant ou s'assurer que l'environnement est classé non dangereux avant de débrancher les connecteurs. Fixer tous les connecteurs externes reliés à cet équipement à l'aide de vis, loquets coulissants, connecteurs filetés ou autres moyens fournis avec ce produit. • La substitution de composants peut rendre cet équipement inadapté à une utilisation en environnement de Classe I, Division 2. </div> </div>



WARNING: When used in a Class I, Division 2, hazardous location, this equipment must be mounted in a suitable enclosure with proper wiring method that complies with the governing electrical codes.

Prevent Electrostatic Discharge



ATTENTION: This equipment is sensitive to electrostatic discharge, which can cause internal damage and affect normal operation. Follow these guidelines when you handle this equipment:

- Touch a grounded object to discharge potential static.
 - Wear an approved grounding wriststrap.
 - Do not touch connectors or pins on component boards.
 - Do not touch circuit components inside the equipment.
 - Use a static-safe workstation, if available.
 - Store the equipment in appropriate static-safe packaging when not in use.
-

Special Conditions for Safe Use



ATTENTION:

- This product is grounded through the DIN rail to chassis ground. Use zinc plated chromate-passivated steel DIN rail to assure proper grounding. The use of other DIN rail materials (for example, aluminum or plastic) that can corrode, oxidize, or are poor conductors, can result in improper or intermittent grounding. Secure DIN rail to mounting surface approximately every 200 mm (7.8 in.) and use end-anchors appropriately. Be sure to ground the DIN rail properly. Refer to Industrial Automation Wiring and Grounding Guidelines, publication [1770-4.1](#), for more information.
 - Do not remove or replace an Adapter Module while power is applied. Interruption of the backplane can result in unintentional operation or machine motion.
 - Do not remove or replace a terminal base unit while power is applied. Interruption of the backplane can result in unintentional operation or machine motion.
 - If this equipment is used in a manner not specified by the manufacturer, the protection provided by the equipment may be impaired.
-



WARNING:

- When you insert or remove the module while backplane power is on, an electric arc can occur. This could cause an explosion in hazardous location installations.
Be sure that power is removed or the area is nonhazardous before proceeding. Repeated electric arcing causes excessive wear to contacts on both the module and its mating connector. Worn contacts may create electrical resistance that can affect module operation.
 - If you insert or remove the module while backplane power is on, an electric arc can occur. This could cause an explosion in hazardous location installations.
Be sure that power is removed or the area is nonhazardous before proceeding.
-



WARNING:

- Do not connect control circuit directly to line voltage. Line voltage must be supplied by a suitable, approved isolating transformer or power supply having short circuit capacity not exceeding 100V A maximum or equivalent.
 - If you connect or disconnect wiring while the field-side power is on, an electrical arc can occur. This could cause an explosion in hazardous location installations. Be sure that power is removed or the area is nonhazardous before proceeding.
-

Electrical Safety Considerations



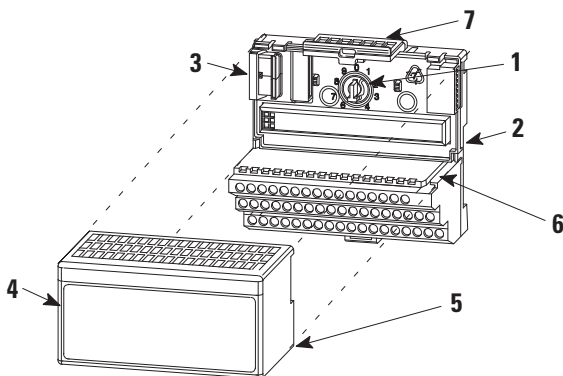
ATTENTION:

- This equipment is certified for use only within the surrounding air temperature range of 0...55 °C (32...131 °F). The equipment must not be used outside of this range.
 - Use only a soft dry anti-static cloth to wipe down equipment. Do not use any cleaning agents.
-



At the end of its life, this equipment should be collected separately from any unsorted municipal waste.

Install Your Digital Module



	Description		Description
1	Keyswitch	5	Alignment bar
2	Terminal base	6	Groove
3	Flexbus connector	7	Latching mechanism
4	Module		

The module mounts on a 1794 terminal base.



ATTENTION: During mounting of all devices, be sure that all debris (metal chips, wire strands, etc.) is kept from falling into the module. Debris that falls into the module could cause damage on power up.

1. Rotate the keyswitch (1) on the terminal base (2) clockwise to position [2](#) as required for this type of module.
2. Ensure that the Flexbus connector (3) is pushed all the way to the left to connect with the neighboring terminal base/adapter. **You cannot install the module unless the connector is fully extended.**
3. Make sure the pins on the bottom of the module are straight so they will align properly with the connector in the terminal base.

4. Position the module (4) with its alignment bar (5) aligned with the groove (6) on the terminal base.
5. Press firmly and evenly to seat the module in the terminal base unit. The module is seated when the latching mechanism (7) is locked into the module.

Connect Wiring for the 1794-IV32 Module (Using a 1794-TB32 or 1794-TB32S Terminal Base)

1. Connect individual input wiring (0...15) to numbered terminals on the 0...15 row (A) as indicated in the [Wiring Connections for 1794-IV32 and 1794-OV32](#) table.
2. Connect the associated power to the +V1 terminal (35, 37, 39, or 41) on the 34...51 row (C) as indicated in the [Wiring Connections for 1794-IV32 and 1794-OV32](#) table.
3. Connect the associated common for inputs 0...15 to COM1 (terminal 36, 38, 40, or 42) on the 34...51 row (C) as indicated in the [Wiring Connections for 1794-IV32 and 1794-OV32](#) table.
4. Connect individual input wiring (16...31) to numbered terminals on the 16...33 row (B) as indicated in the [Wiring Connections for 1794-IV32 and 1794-OV32](#) table.

Do not connect to terminals 16 or 33.

5. Connect the associated power to the +V2 terminal (43, 45, 47, or 49) on the 34...51 row (C) as indicated in the [Wiring Connections for 1794-IV32 and 1794-OV32](#) table.
6. Connect the associated common for inputs 16...31 to COM2 (terminal 44, 46, 48, or 50) on the 34...51 row (C).
7. If continuing input wiring power for inputs 0...15 to the next terminal base, connect a jumper from terminal 41 (+V1) on this terminal base unit to the power terminal on the next terminal base unit.
8. If continuing input wiring for inputs 0...15 common to the next terminal base, connect a jumper from terminal 42 (COM1) on this terminal base unit to the common terminal on the next terminal base unit.

9. If continuing input wiring power for inputs 16...31 to the next terminal base, connect a jumper from terminal 49 (+V2) on this terminal base unit to the power terminal on the next terminal base unit.
10. If continuing input wiring 16...31 common to the next terminal base, connect a jumper from terminal 50 (COM2) on this terminal base unit to the common terminal on the next terminal base unit.

Connect Wiring for the 1794-OV32 Module

1. Connect individual output wiring (0...15) to numbered terminals on the 0...15 row (A) as indicated in the [Wiring Connections for 1794-IV32 and 1794-OV32](#) table.
2. Connect the associated power to the +V1 terminal (35, 37, 39, or 41) on the 34...51 row (C) as indicated in the [Wiring Connections for 1794-IV32 and 1794-OV32](#) table.
3. Connect the associated output common (-V1) for outputs 0...15 to COM1 (terminal 36, 38, 40, or 42) on the 34...51 row (C).
4. Connect individual output wiring (16...31) to numbered terminals on the 16...33 row (B) as indicated in the [Wiring Connections for 1794-IV32 and 1794-OV32](#) table.
5. Connect the associated power to the +V2 terminal (43, 45, 47, or 49) on the 34...51 row (C) as indicated in the [Wiring Connections for 1794-IV32 and 1794-OV32](#) table.
6. Connect the associated output common (-V2) for outputs 16...31 to COM2 (terminals 44, 46, 48, or 50) on the 34...51 row (C).
7. If continuing power to the next terminal base, connect a jumper from terminal 35, 37, 39, or 41 (+V1) and 43, 45, 47, or 49 (+V2) on this base unit to the power terminal on the next base unit.
8. If continuing output common return to the next base unit, connect a jumper from terminal 36, 38, 40, or 42 (COM1) and 44, 46, 48, or 50 (COM2) on this base unit to common on the next base unit (refer to the installation instructions for the next type of terminal base unit).

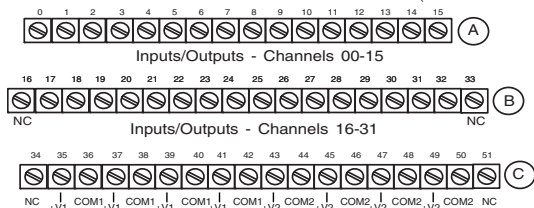
Wiring Connections for 1794-IV32 and 1794-OV32

Channel	Signal	Channel	Signal
0	A-0	16	B-17
1	A-1	17	B-18
2	A-2	18	B-19
3	A-3	19	B-20
4	A-4	20	B-21
5	A-5	21	B-22
6	A-6	22	B-23
7	A-7	23	B-24
8	A-8	24	B-25
9	A-9	25	B-26
10	A-10	26	B-27
11	A-11	27	B-28
12	A-12	28	B-29
13	A-13	29	B-30
14	A-14	30	B-31
15	A-15	31	B-32
+V1 DC power (inputs 0...15)	Power terminals 35, 37, 39, and 41 for inputs 0...15. +V1 connected to terminals 35, 37, 39, and 41.		
COM1 DC Return (inputs 0...15)	Common terminals 36, 38, 40, and 42 for inputs 0...15. V1 Return connected to terminals 36, 38, 40, and 42.		
+V2 DC power ⁽¹⁾ (inputs 16...31)	Power terminals 43, 45, 47, and 49 for inputs 16...31. +V2 connected to terminals 43, 45, 47, and 49.		
COM2 DC return (inputs 16...31)	Common terminals 44, 46, 48, and 50 for inputs 16...31. V2 Return connected to terminals 44, 46, 48, and 50.		

- (1) 2-wire input devices use signal and return terminals.
3-wire devices use signal, return, and supply terminals.

1794-TB32 and 1794-TB32S Terminal Base Wiring for 1794-IV32 and 1794-OV32

(1794-TB32 shown)



For 1794-OV32, also use the following as Signal Supply terminals:

+V1 = Terminals 35, 37, 39 and 41

+V2 = Terminals 43, 45, 47 and 49

For 1794-IV32, also use the following as Signal return terminals:

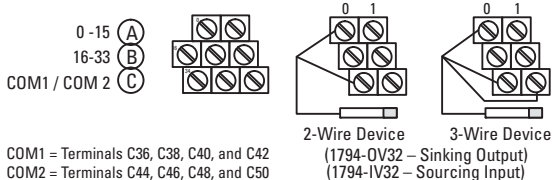
COM1 = Terminals 36, 38, 40 and 42

COM2 = Terminals 44, 46, 48 and 50

For 1794-OV32 & 1794-IV32

NC = No connections (terminals 16, 33, 34 and 51)

2 and 3-Wire Input Wiring for 1794-IV32 and 1794-OV32



Configure Your Input Module

You configure your input module by setting bits in the configuration word (word 3).

Image Table Memory Map for the 1794-IV32 Module

Dec	15	14	13	12	11	10	9	8	7	6	5	4	3	2	1	0
Oct	17	16	15	14	13	12	11	10	7	6	5	4	3	2	1	0
Read 1	I15	I14	I13	I12	I11	I10	I9	I8	I7	I6	I5	I4	I3	I2	I1	I0
Read 2	I31	I30	I29	I28	I27	I26	I25	I24	I23	I22	I21	I20	I19	I18	I17	I16
Write 1	Not used					Input Filter FT 0...31			Not used							

Where I = Input
FT = Input filter time

Note: C, CR, and CF not available when used with any series 1794-ASB or -ASB2 Remote I/O Adapters.

Set the Input Filter Time for the 1794-IV32 Module

To set the input filter time, set the associated bits in the output image (complementary word) for the module.

	15	14	13	12	11	10	09	08	07	06	05	04	03	02	01	00	Dec.
	17	16	15	14	13	12	11	10	07	06	05	04	03	02	01	00	Octal
0:010																	

10 09 08 07
 FT = 00...31

Input Filter Times

Bits			Description	Selected Filter Time
10	09	08	Filter Time for Inputs 00...31	Off to On / On to Off
0	0	0	Filter time 0 (default)	0.25 ms
0	0	1	Filter time 1	0.5 ms
0	1	0	Filter time 2	1 ms
0	1	1	Filter time 3	2 ms
1	0	1	Filter time 4	4 ms
1	0	1	Filter time 5	8 ms
1	1	0	Filter time 6	16 ms
1	1	1	Filter time 7	32 ms

Configure Your Output Module

You configure your output module by setting bits in the configuration word (word 3).

Image Table Memory Map for the 1794-OV32 Module

Dec	15	14	13	12	11	10	9	8	7	6	5	4	3	2	1	0
Oct	17	16	15	14	13	12	11	10	7	6	5	4	3	2	1	0
Read 0	Not used – set to 0															
Write 1	015	014	013	012	011	010	09	08	07	06	05	04	03	02	01	00
Write 2	031	030	029	028	027	026	025	024	023	022	021	020	019	018	017	016

Where 0 = Output

Specifications

Specifications – FLEX™ I/O Digital Sourcing Input Module

Attribute	Value
Number of inputs	32, current, sourcing
Recommended terminal base unit	1794-TB32, 1794-TB32S, 1794-TB62DS, 1794-TB62EXD4X15
On-state voltage, min	19.2V DC
On-state voltage, nom	24V DC
On-state voltage, max	31.2V DC
On-state current, min	2.0 mA
On-state current, nom	4.1 mA @ 24V DC
On-state current, max	6.0 mA
Off-state voltage, max	5V DC
Off-state current, max	1.5 mA
Input impedance	6 kΩ
Isolation voltage	50V (continuous), Basic Insulation Type Type tested @ 850V DC for 60 s, between field side and system No isolation between individual channels
Input filter time ⁽¹⁾ Off to On On to Off	See Input Filter Times table
Flexbus current	40 mA @ 5V DC
Power dissipation, max	6 W @ 31.2V DC
Thermal dissipation, max	20.5 BTU/hr @ 31.2V DC

- (1) Input off-to-on filter time is the time from a valid input signal to recognition by the module. Input on-to-off filter time is time from the input signal dropping below the valid level to recognition by the module.

Specifications – FLEX I/O Digital Sinking Output Module

Attribute	Value
Number of outputs	32, current, sinking
Recommended terminal base unit	1794-TB3, 1794-TB3S, 1794-TB3K, 1794-TB3SK
Output voltage, min	10V DC

Specifications – FLEX I/O Digital Sinking Output Module

Attribute	Value
Output voltage, nom	24V DC
Output voltage, max	31.2V DC
Output current rating	14 A max per module 6 A total for channels 0...15 8 A total for channels 16...31
On-state current	1.0 mA min per channel 500 mA max per channel
Surge current	2 A for 50 ms each, repeatable every 2 seconds
Off-state leakage, max	0.5 mA
Isolation voltage	50V (continuous), Basic Insulation Type Type tested at 707V DC for 60 s, between field side and system No isolation between individual channels
Output signal delay ⁽¹⁾ Off to On On to Off	0.5 ms 1.0 ms
Flexbus current	110 mA @ 5V DC
Power dissipation, max	4.4 W @ 31.2V DC
Thermal dissipation, max	8.53 BTU/hr @ 31.2V DC

(1) Delay time is the time from the receipt of an output on or off command to the output actually turning on or off.

General Specifications

Attribute	1794-IV32	1794-OV32
Terminal base screw torque	Determined by installed terminal base	
Dimensions, approx. (H x W x D)	94 x 94 x 69 mm (3.7 x 3.7 x 2.7 in.)	
Indicators (field side)	32 yellow status indicators	
External DC power supply voltage, nom	24V DC	
External DC power voltage range	19.2...31.2V DC (includes 5% AC ripple)	10...31.2V DC (includes 5% AC ripple)
North American temp code	T4	
Keyswitch position	2	

General Specifications

Attribute	1794-IV32	1794-OV32
Enclosure type rating	None (open-style)	
Weight, approx.	77 g (2.72 oz)	80 g (2.82 oz)
Wire size	Determined by installed terminal base	
Wiring category ⁽¹⁾	2 – on signal ports	

- (1) Use this Conductor Category information for planning conductor routing as described in the appropriate System Level Installation Manual. Also refer to Industrial Automation Wiring and Grounding Guidelines, publication [1770-4.1](#), for more information.

Environmental Specifications

Attribute	Value
Operating temperature	IEC 60068-2-1 (Test Ad, operating cold), IEC 60068-2-2 (Test Bd, operating dry heat), IEC 60068-2-14 (Test Nb, operating thermal shock): 0...55 °C (32...131 °F)
Storage temperature	IEC 60068-2-1 (Test Ab, unpackaged nonoperating cold), IEC 60068-2-2 (Test Bb, unpackaged nonoperating dry heat), IEC 60068-2-14 (Test Na, unpackaged nonoperating thermal shock): -40...85 °C (-40...185 °F)
Temperature, surrounding air, max	55 °C (131 °F)
Relative humidity	IEC 60068-2-30 (Test Db, unpackaged damp heat): 5...95% noncondensing
Vibration	IEC60068-2-6 (Test Fc, operating): 5 g @ 10...500 Hz
Shock, operating	IEC60068-2-27 (Test Ea, unpackaged shock): 30 g
Shock, nonoperating	IEC60068-2-27 (Test Ea, unpackaged shock): 50 g
Emissions	IEC 61000-6-4
ESD immunity	IEC 61000-4-2: 6 kV contact discharges 8 kV air discharges

Environmental Specifications

Attribute	Value
Radiated RF immunity	IEC 61000-4-3: 10V/m with 1 kHz sine-wave 80% AM from 80...2000 MHz 10V/m with 200 Hz 50% Pulse 100% AM @ 900 MHz 10V/m with 200 Hz 50% Pulse 100% AM @ 1890 MHz 1V/m with 1 kHz sine-wave 80% AM from 2000...2700 MHz
EFT/B immunity	IEC 61000-4-4: ± 2 kV @ 5 kHz on power ports ± 2 kV @ 5 kHz on signal ports
Surge transient immunity	IEC 61000-4-5: ± 1 kV line-line(DM) and ± 2 kV line-earth(CM) on signal ports
Conducted RF immunity	IEC 61000-4-6: 10V rms with 1 kHz sine-wave 80% AM from 150 kHz. . . 80 MHz

Certifications

Certifications (When Product Is Marked) ⁽¹⁾	Value
c-UL-us	UL Listed Industrial Control Equipment, certified for US and Canada. See UL File E322657. UL Listed for Class I, Division 2 Group A,B,C,D Hazardous Locations, certified for U.S. and Canada. See UL File E334470.
CE	European Union 2014/30/EU EMC Directive, compliant with: • EN 61326-1; Meas./Control/Lab., Industrial Requirements • EN 61000-6-4; Industrial Emissions • EN 61131-2; Programmable Controllers (Clause 8, Zone A & B) European Union 2011/65/EU RoHS, compliant with: • EN 50581; Technical documentation
KC	Korean Registration of Broadcasting and Communications Equipment, compliant with: • Article 58-2 of Radio Waves Act, Clause 3
EAC	Russian Customs Union TR CU 020/2011 EMC Technical Regulation
RCM	Australian Radiocommunications Act, compliant with: • EN 61000-6-4; Industrial Emissions

(1) See the Product Certification link at <http://www.rockwellautomation.com/global/certification/overview.page> for Declaration of Conformity, Certificates, and other certification details.

Notes:

Rockwell Automation Support

Use the following resources to access support information.

Technical Support Center	Knowledgebase Articles, How-to Videos, FAQs, Chat, User Forums, and Product Notification Updates.	www.rockwellautomation.com/knowledgebase
Local Technical Support Phone Numbers	Locate the phone number for your country.	www.rockwellautomation.com/global/support/get-support-now.page
Direct Dial Codes	Find the Direct Dial Code for your product. Use the code to route your call directly to a technical support engineer.	www.rockwellautomation.com/global/support/direct-dial.page
Literature Library	Installation Instructions, Manuals, Brochures, and Technical Data.	www.rockwellautomation.com/literature
Product Compatibility and Download Center (PCDC)	Get help determining how products interact, check features and capabilities, and find associated firmware.	www.rockwellautomation.com/global/support/pcdc.page

Documentation Feedback

Your comments will help us serve your documentation needs better. If you have any suggestions on how to improve this document, complete the How Are We Doing? form at http://literature.rockwellautomation.com/idc/groups/literature/documents/du/ra-du002_-en-e.pdf.

Rockwell Automation maintains current product environmental information on its website at <http://www.rockwellautomation.com/rockwellautomation/about-us/sustainability-ethics/product-environmental-compliance.page>.

Allen-Bradley, Rockwell Automation, FLEX I/O, Rockwell Software, and TechConnect are trademarks of Rockwell Automation, Inc. Trademarks not belonging to Rockwell Automation are property of their respective companies.

Rockwell Otomasyon Ticaret A.Ş., Kar Plaza İş Merkezi E Blok Kat:6 34752 İçerenköy, İstanbul, Tel: +90 (216) 5698400

www.rockwellautomation.com

Power, Control and Information Solutions Headquarters

Americas: Rockwell Automation, 1201 South Second Street, Milwaukee, WI 53204-2496 USA, Tel: (1) 414.382.2000, Fax: (1) 414.382.4444
Europe/Middle East/Africa: Rockwell Automation NV, Pegasus Park, De Kleitlaan 12a, 1831 Diegem, Belgium, Tel: (32) 2 663 0600, Fax: (32) 2 663 0640
Asia Pacific: Rockwell Automation, Level 14, Core F, Cyberport 3, 100 Cyberport Road, Hong Kong, Tel: (852) 2887 4788, Fax: (852) 2508 1846

Publication 1794-IN122C-EN-P - July 2018

Supersedes Publication 1794-IN122B-EN-P - August 2015

Copyright © 2018 Rockwell Automation, Inc. All rights reserved.