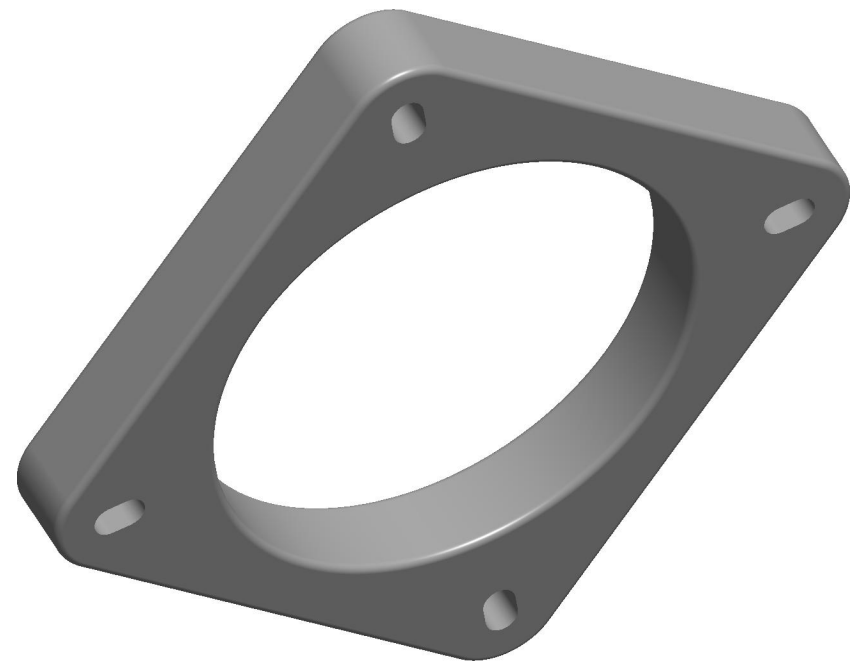
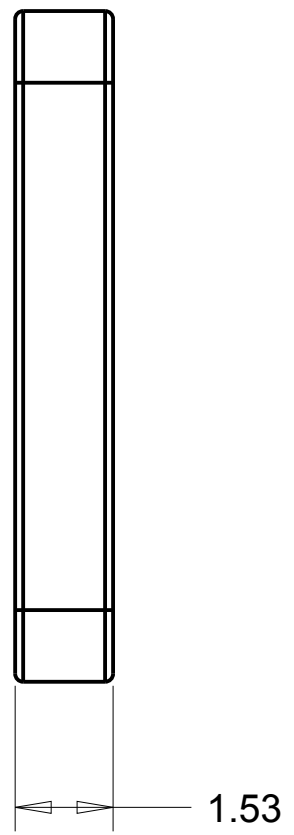
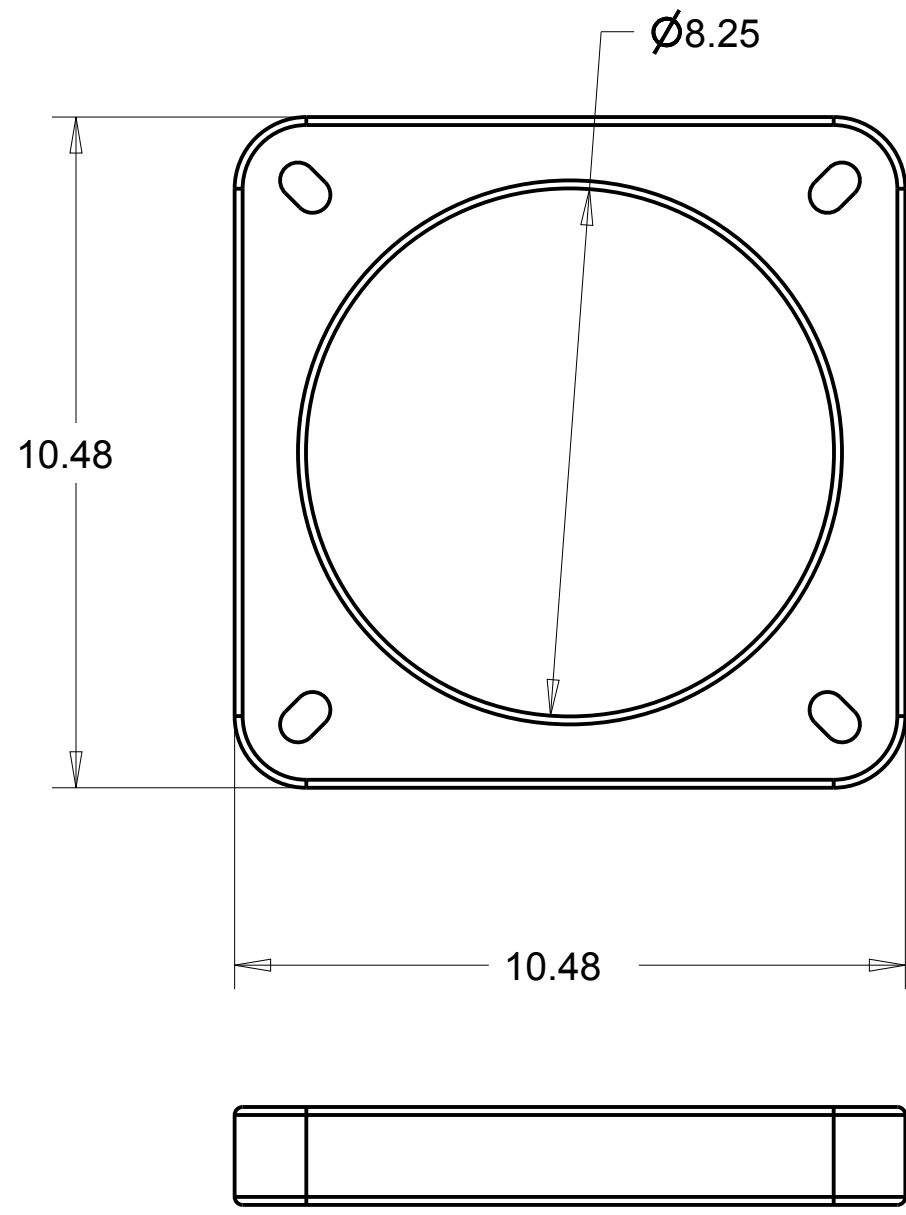


1 2 3 4 5 6 7 8

A
B
C
D
E
F
G
H



Rockwell Automation		CONFIDENTIAL AND PROPRIETARY INFORMATION. THIS DOCUMENT CONTAINS CONFIDENTIAL AND PROPRIETARY INFORMATION OF ROCKWELL AUTOMATION, INC. AND MAY NOT BE USED, COPIED OR DISCLOSED TO OTHERS, EXCEPT WITH THE AUTHORIZED WRITTEN PERMISSION OF ROCKWELL AUTOMATION, INC.				
		SHEET 1 OF 1				
DESCRIPTION	1411-126 Curent Transformer 2D.drw		SIZE	DIR	VER	
	DRAWN BY: AMAVILA		DATE: 10-17-2018		B	10004371727