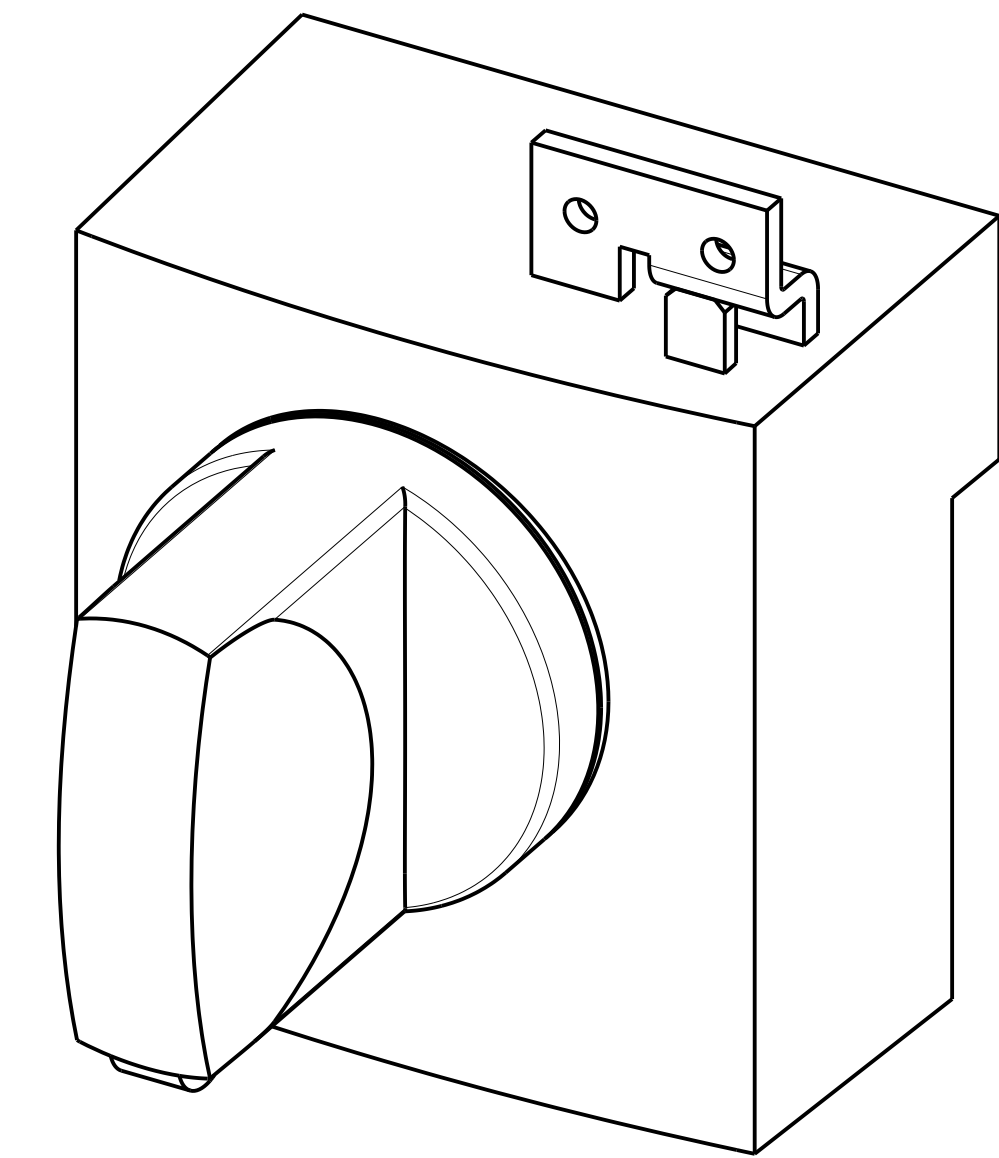
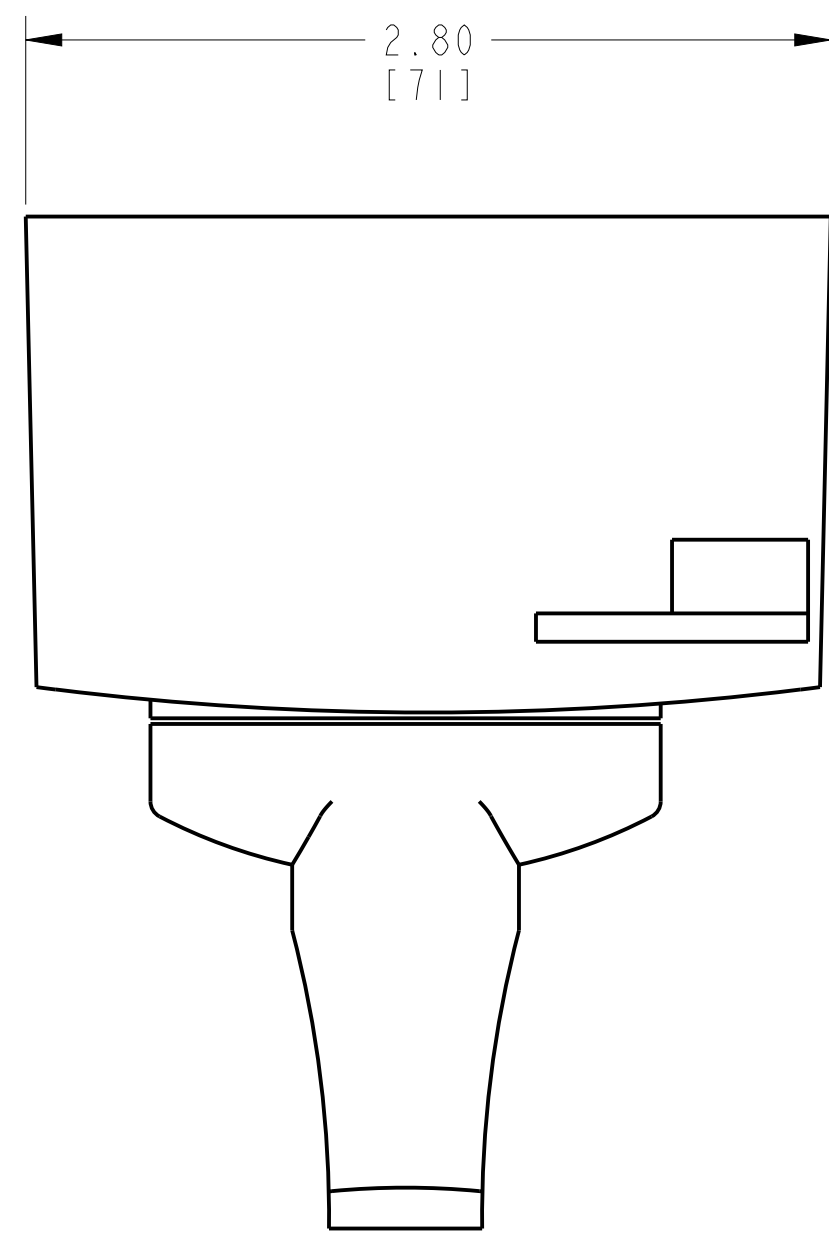
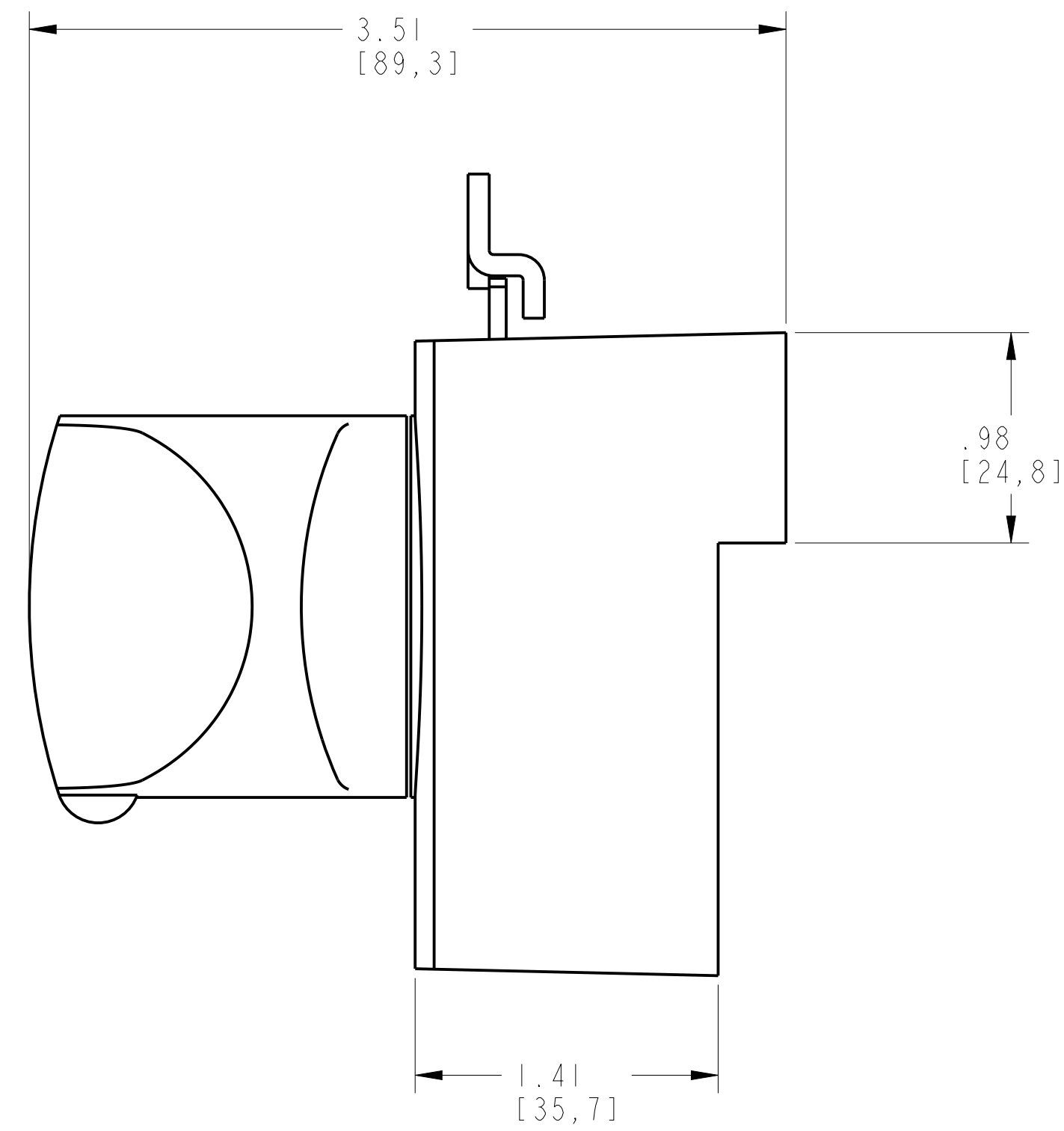
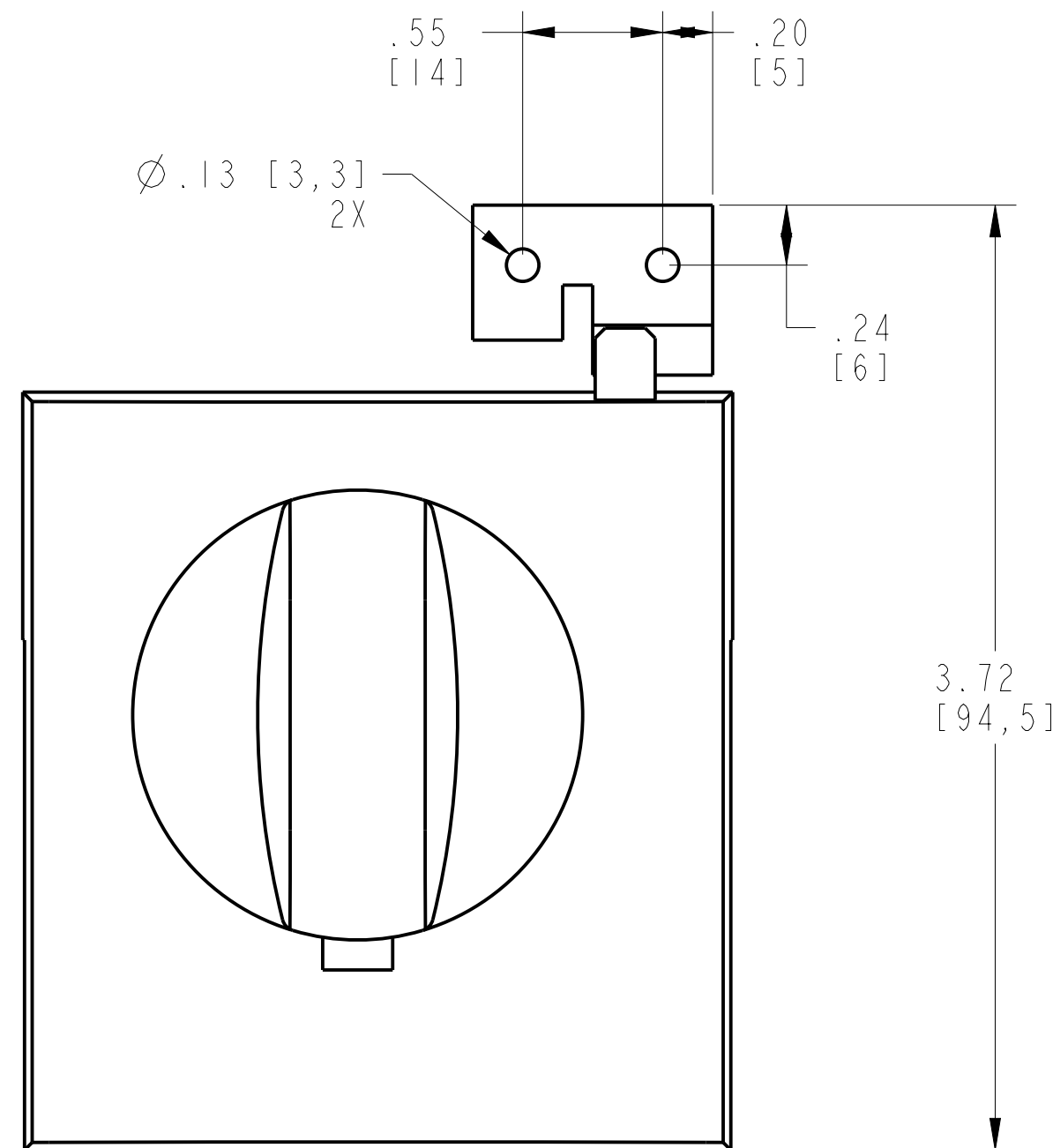


1 2 3 4 5 6 7 8

A
B
C
D
E
F
G
H



ISOMETRIC VIEW



NOTE :

- USED IN FRAMES :
1. 140G-H-3-POLE
 2. 140G-H-4-POLE
 3. 140G-J-3-POLE
 4. 140G-J-4-POLE

DIRECT ROTARY MECH BLACK
SCALE 1.50:1

Rockwell Automation		CONFIDENTIAL AND PROPRIETARY INFORMATION. THIS DOCUMENT CONTAINS CONFIDENTIAL AND PROPRIETARY INFORMATION OF ROCKWELL AUTOMATION, INC. AND MAY NOT BE USED, COPIED OR DISCLOSED TO OTHERS, EXCEPT WITH THE AUTHORIZED WRITTEN PERMISSION OF ROCKWELL AUTOMATION, INC.	
		Sheet 1 Of 1	
DIRECT ROTARY MECH BLACK		Size	Ver
Drawn by: UMUNUSW Date: JAN-28-2014		D	10000976430 00