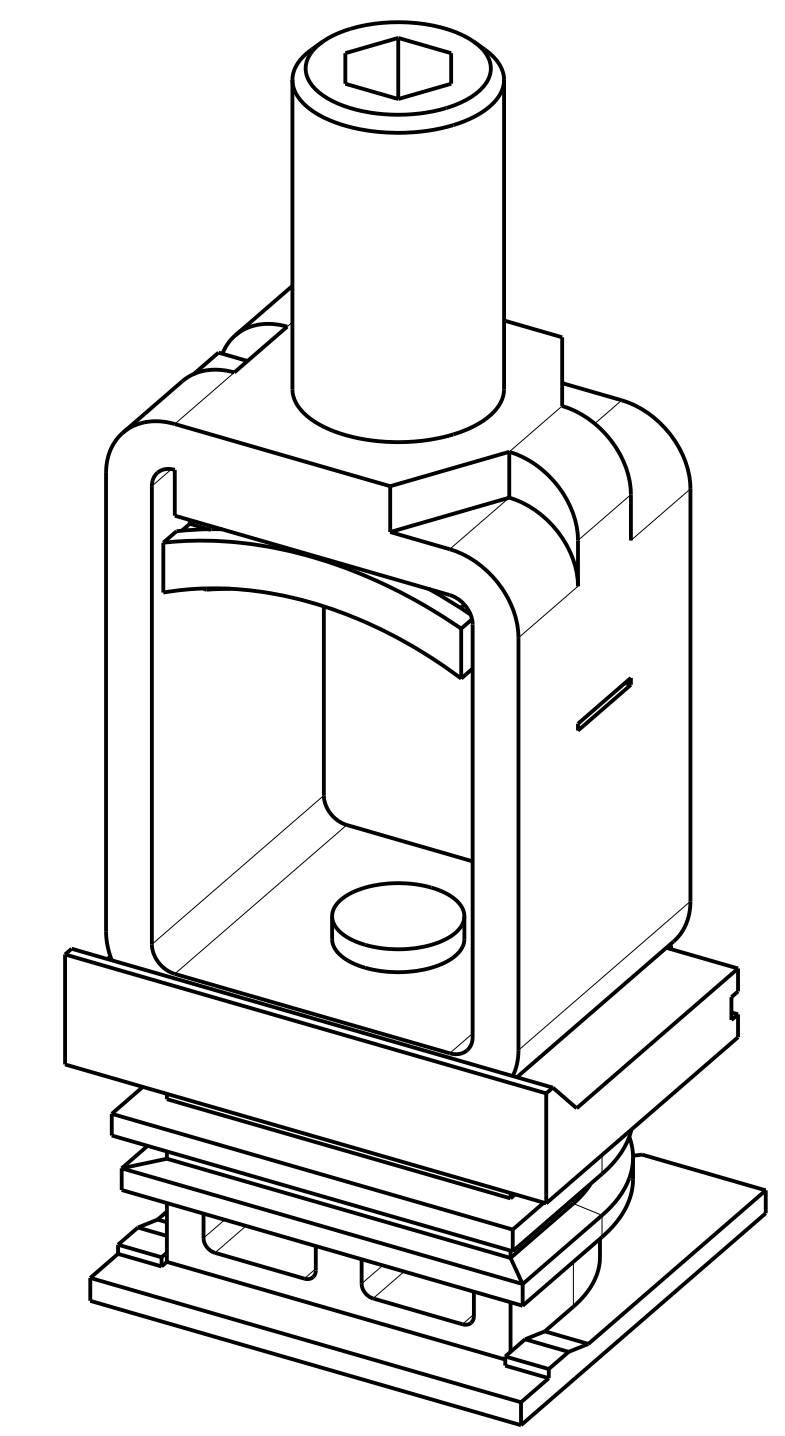
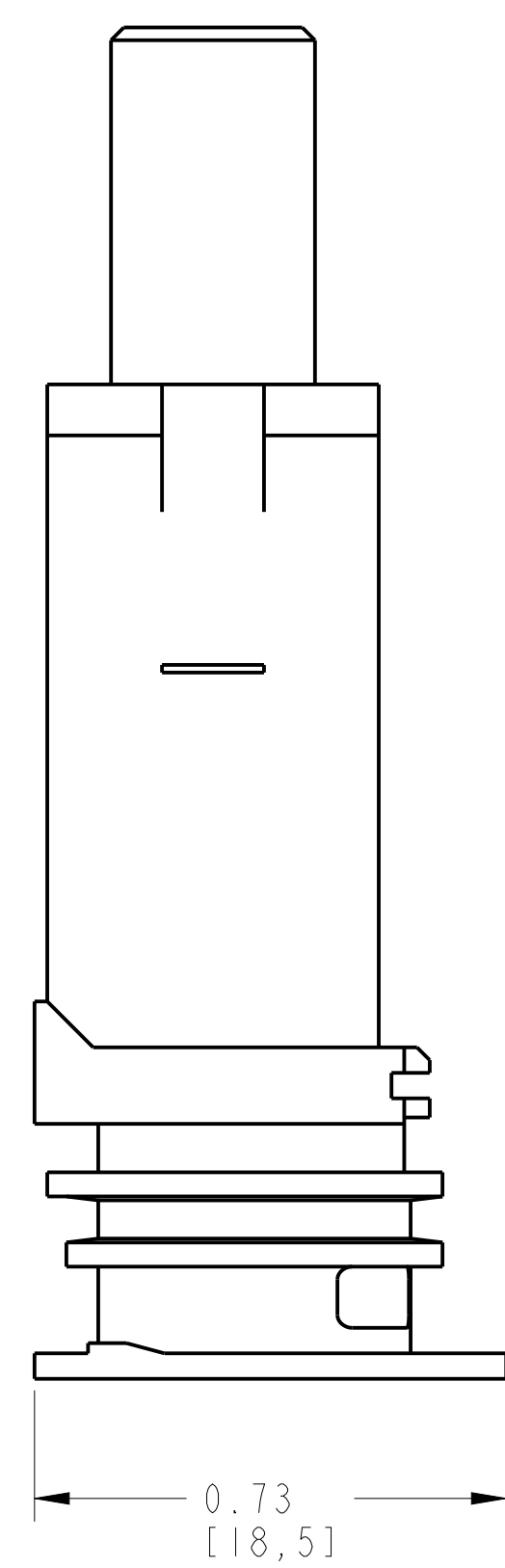
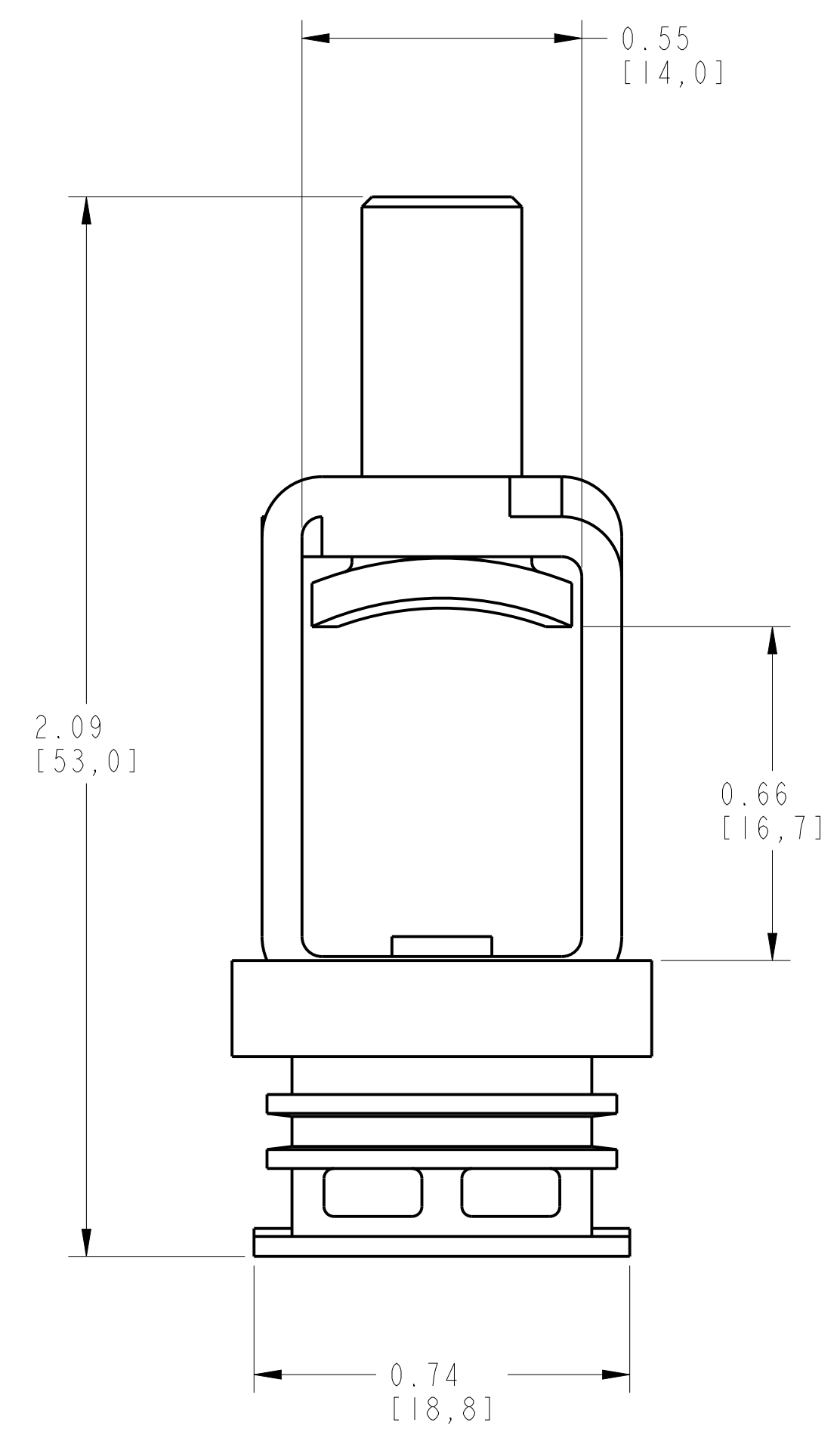
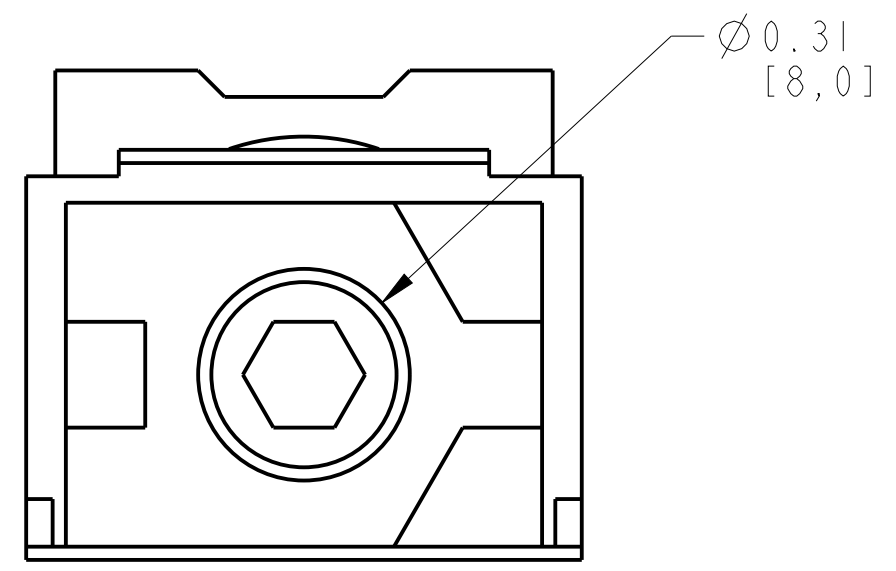


1 2 3 4 5 6 7 8

A
B
C
D
E
F
G
H



ISOMETRIC VIEW

NOTE :
 USED IN FRAMES :
 1. 140G-H-3-POLE
 2. 140G-H-4-POLE

TERMINAL FOR FCCU
 SCALE 3.5:1

		CONFIDENTIAL AND PROPRIETARY INFORMATION. THIS DOCUMENT CONTAINS CONFIDENTIAL AND PROPRIETARY INFORMATION OF ROCKWELL AUTOMATION, INC. AND MAY NOT BE USED, COPIED OR DISCLOSED TO OTHERS, EXCEPT WITH THE AUTHORIZED WRITTEN PERMISSION OF ROCKWELL AUTOMATION, INC.	
		Sheet 1 Of 1	
TERMINAL FOR FCCU		Size	Ver
Drawn by: UMUNUSW Date: JAN-27-2014		D	10000974099 00