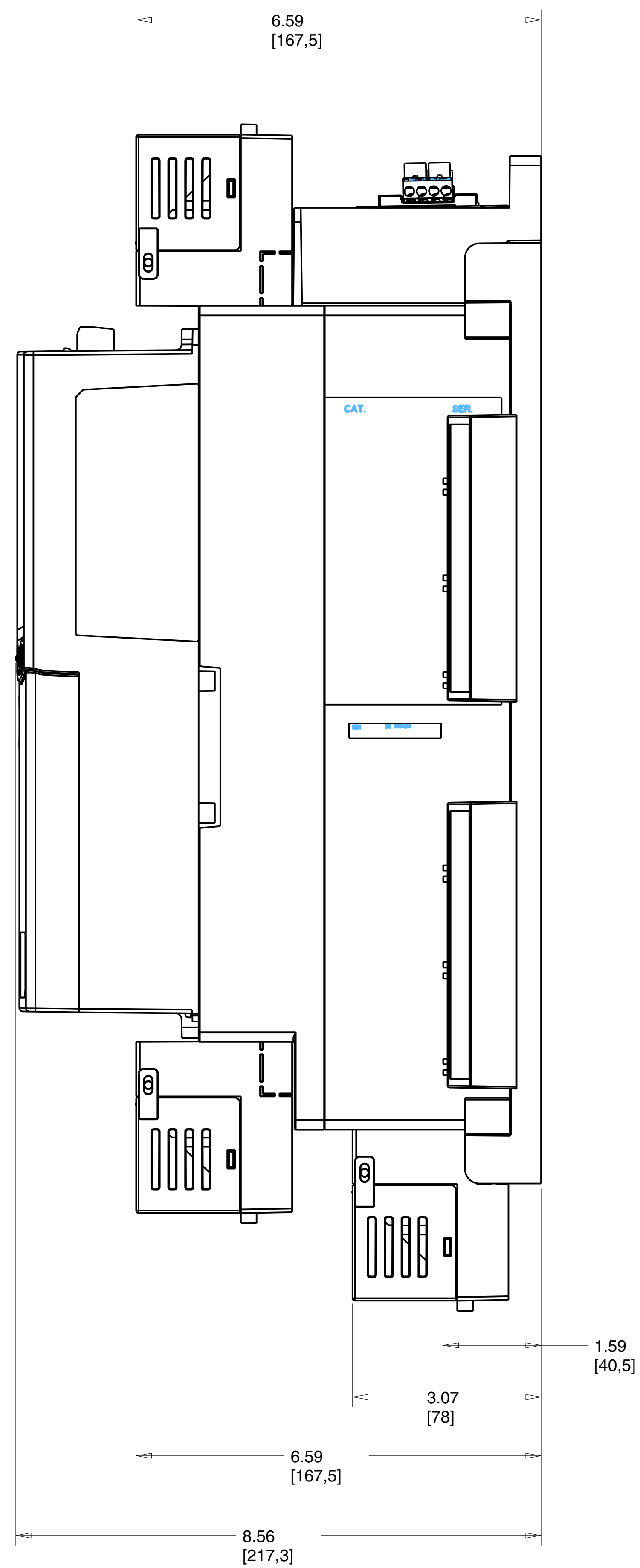
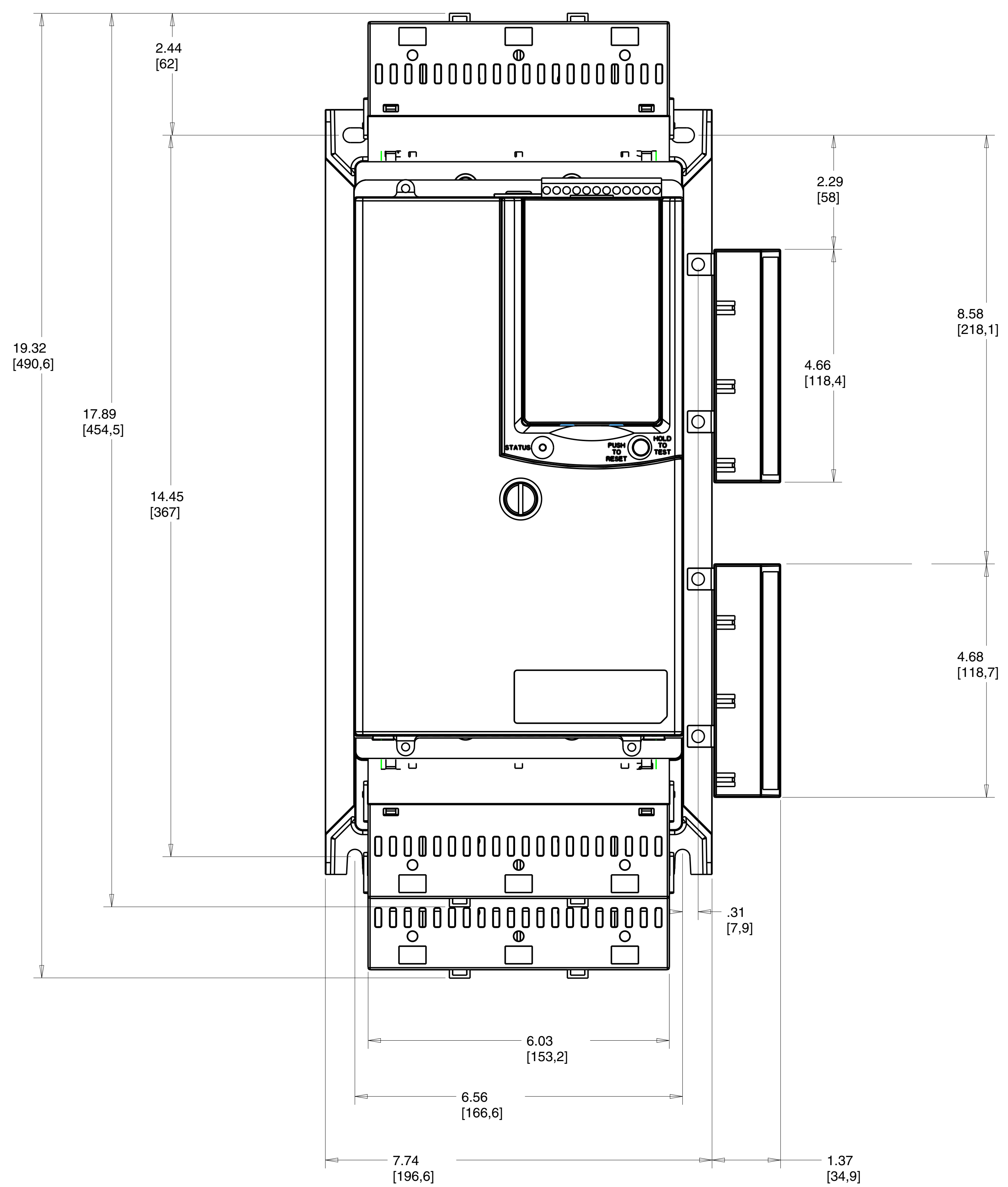


NOTE:  
 1) DIMENSIONS IN INCHES [MILLIMETERS].  
 2) DIMENSIONS ARE NOT TO BE USED FOR MANUFACTURING PURPOSES.

		<small>CONFIDENTIAL AND PROPRIETARY INFORMATION. THIS DOCUMENT CONTAINS CONFIDENTIAL AND PROPRIETARY INFORMATION OF ROCKWELL AUTOMATION, INC. AND MAY NOT BE USED, COPIED OR DISCLOSED TO OTHERS, EXCEPT WITH THE AUTHORIZED WRITTEN PERMISSION OF ROCKWELL AUTOMATION, INC.</small>	
		Sheet 1 Of 2	
BULLETIN 150-S 108/135A SMC 50 WITH BY-PASS OUTLINE DIMENSION DRAWING		Size D	Ver 00
Drawn by: RGRUSHME	Date: 08-27-2015	10001832061	

1 2 3 4 5 6 7 8

A  
B  
C  
D  
E  
F  
G  
H



		<small>CONFIDENTIAL AND PROPRIETARY INFORMATION THIS DOCUMENT CONTAINS CONFIDENTIAL AND PROPRIETARY INFORMATION OF ROCKWELL AUTOMATION, INC. AND MAY NOT BE USED, COPIED OR DISCLOSED TO OTHERS, EXCEPT WITH THE AUTHORIZED WRITTEN PERMISSION OF ROCKWELL AUTOMATION, INC.</small>	
		Sheet 2 Of 2	
BULLETIN 150-S 108/135A SMC 50 WITH BY-PASS OUTLINE DIMENSION DRAWING		Size D	Ver 00
Drawn by: RGRUSHME		Date: 08-27-2015	