



Removable Terminal Blocks

(Catalog Numbers 1746-RT25B, -RT25C, -RT25G, -RT25R, and -RT32)

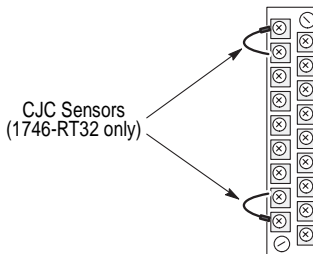
Installation Instructions

Types of Removable Terminal Blocks

The removable terminal blocks (RTBs) and modules are color-coded as follows:

If the color is	Then the RTB is for
red	AC inputs/outputs
blue	DC inputs/outputs
orange	relay outputs
green	specialty modules
black	These I/O wiring terminal blocks are not removable.

Important: The 1746-RT32 RTB must be used exclusively with the 1746-NT4 thermocouple module. This RTB incorporates cold-junction compensation (CJC) sensors which are required for proper operation of the thermocouple module.



ATTENTION: When installing or removing the 1746-RT32 RTB, do not loosen or remove the CJC sensors from the screw terminals. If the sensors are removed, refer to your thermocouple module user manual for installation instructions.

Installing the Removable Terminal Block

1. Be sure the color of the RTB matches the color band on the module.



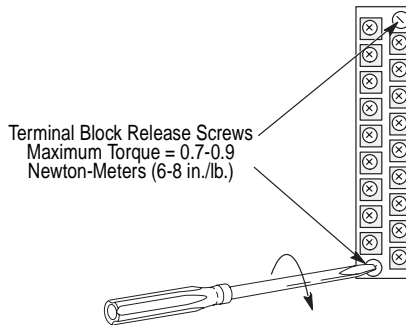
ATTENTION: Inserting a wired RTB on an incorrect module can damage the module circuitry when power is applied

2. Write the appropriate slot, chassis, and module type on the RTB label.
3. Remove power from the SLC 500 system.



ATTENTION: Never install or remove RTBs or modules while the SLC 500 system is powered.

4. Align the terminal block release screws with the mating connector in the module.
5. Press the RTB firmly onto the connector contacts.
6. Tighten the terminal block release screws. To avoid cracking the terminal block, alternate the tightening of the screws.



www.rockwellautomation.com

Power, Control and Information Solutions Headquarters

Americas: Rockwell Automation, 1201 South Second Street, Milwaukee, WI 53204-2496 USA, Tel: (1) 414.382.2000, Fax: (1) 414.382.4444

Europe/Middle East/Africa: Rockwell Automation, Vorstlaan/Boulevard du Souverain 36, 1170 Brussels, Belgium, Tel: (32) 2 663 0600, Fax: (32) 2 663 0640

Asia Pacific: Rockwell Automation, Level 14, Core F, Cyberport 3, 100 Cyberport Road, Hong Kong, Tel: (852) 2887 4788, Fax: (852) 2508 1846

Publication 1746-5.9 - June 1999

Supersedes 1746-5.9 - February 1995

PN 40071-010-01(B)

© 2007 Rockwell Automation, Inc. All rights reserved. Printed in Singapore.