

ROTARY MECHANISM ASSEMBLY			
ITEM	DESCRIPTION	QTY	AB CAT NUMBER
1	MOLDED CASE CIRCUIT BREAKER	1	140G-G-3P CB
2	ROTARY MECHANISM	1	140G-G-RMX
3	OPERATING SHAFT	1	-
4	DIRECT ROTARY EXTERNAL HANDLE	1	-

B

C

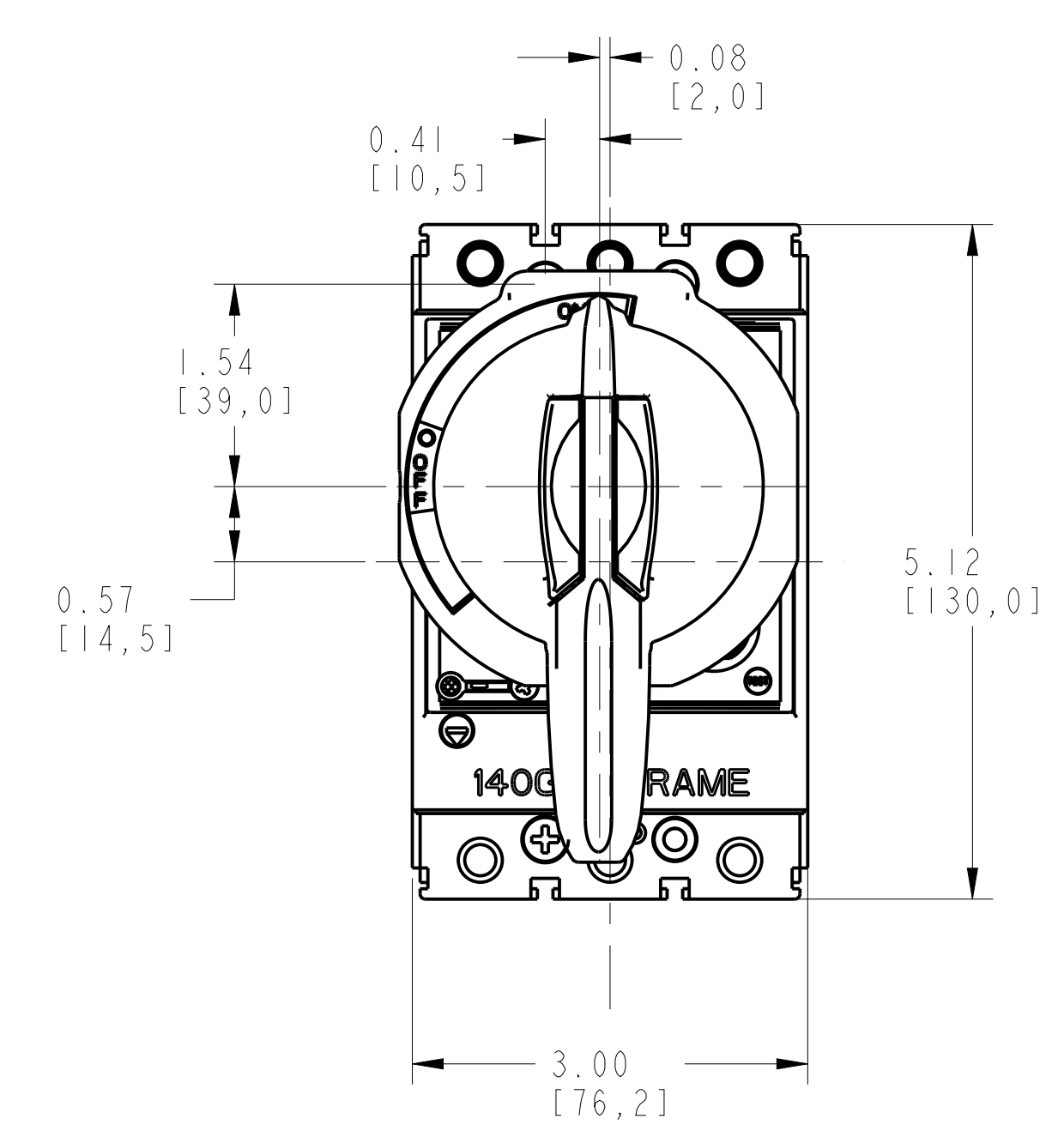
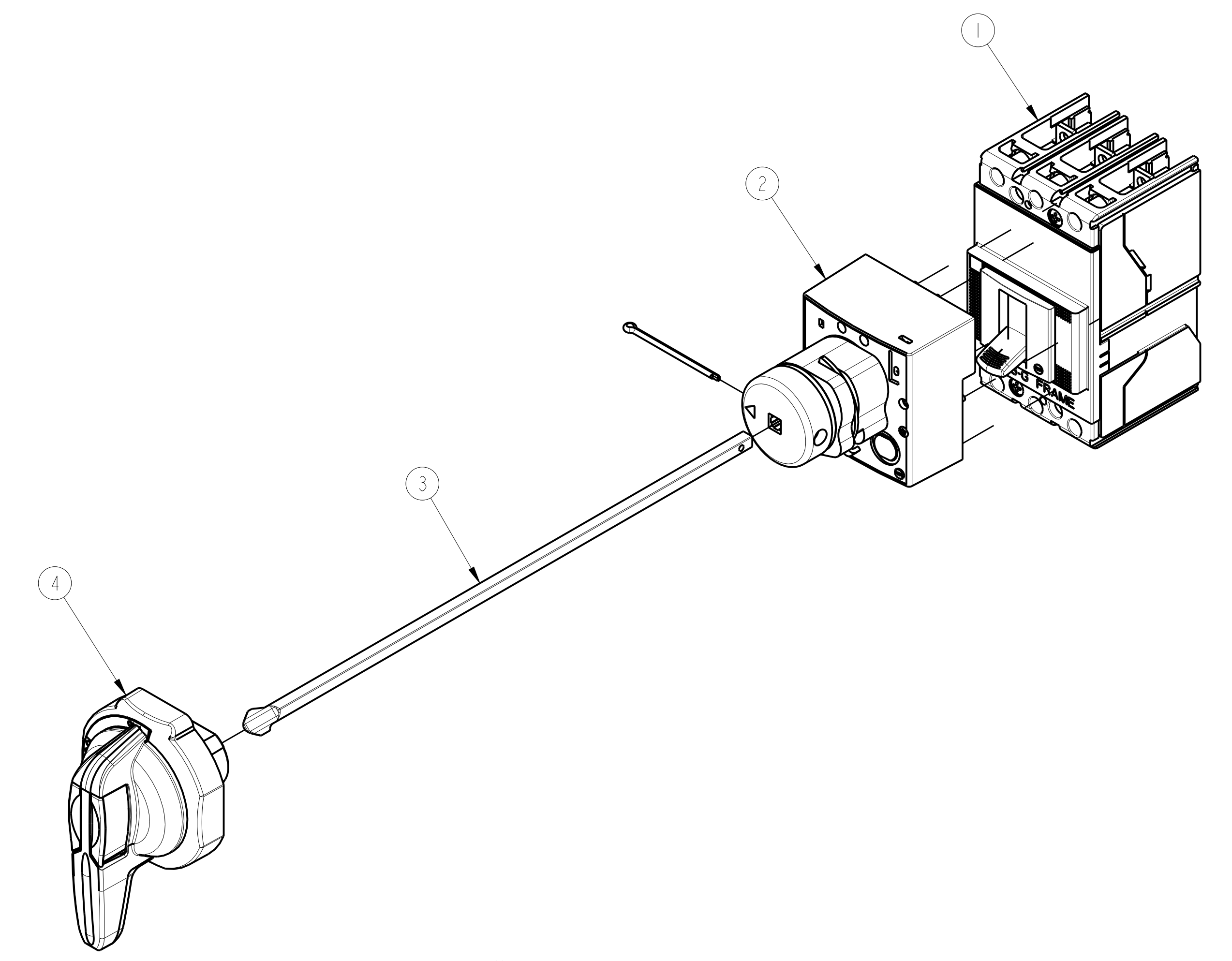
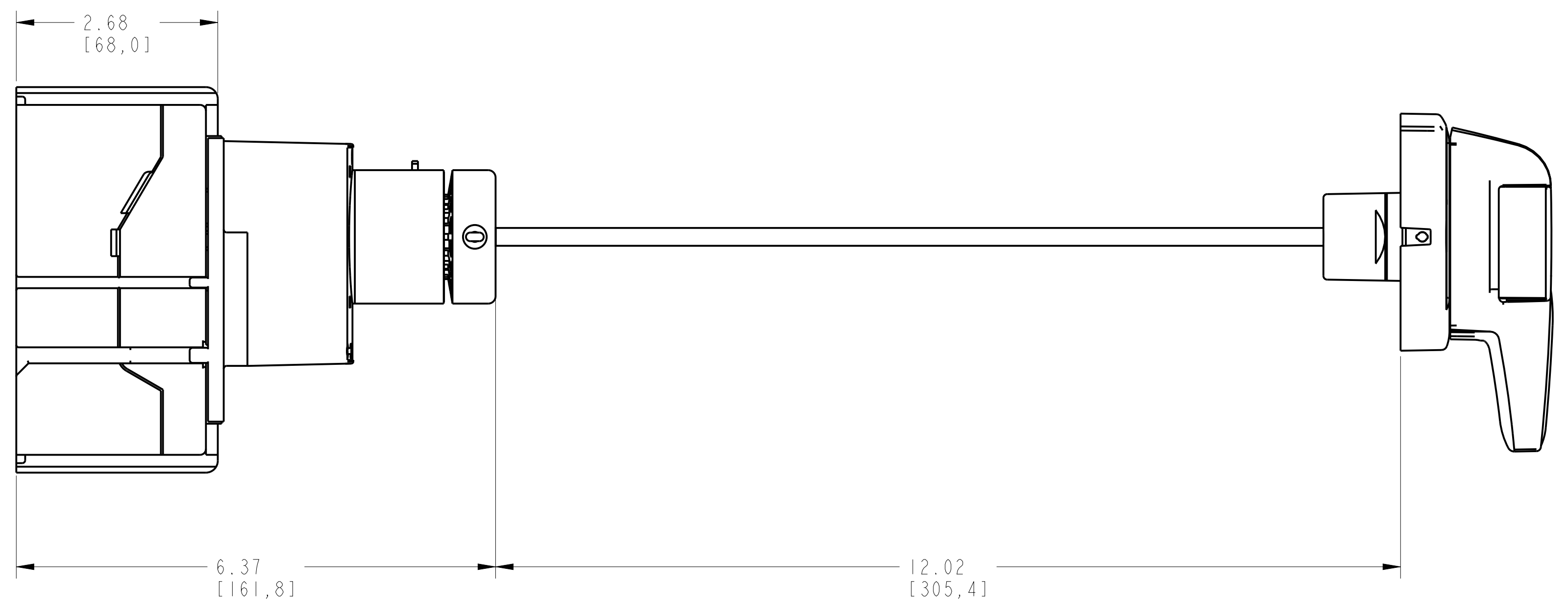
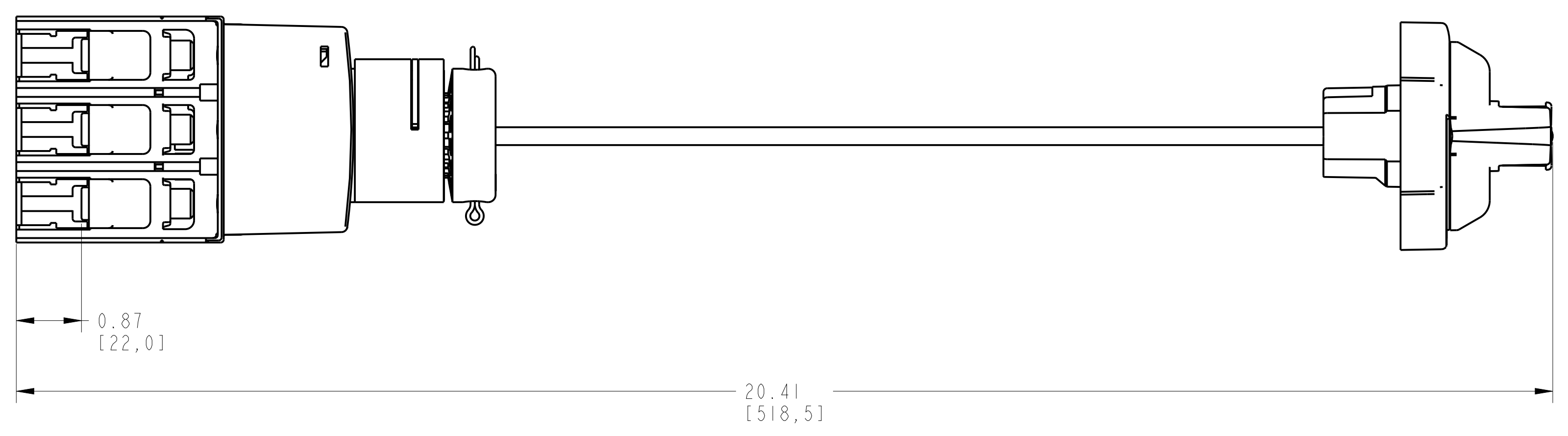
D

E

F

G

H

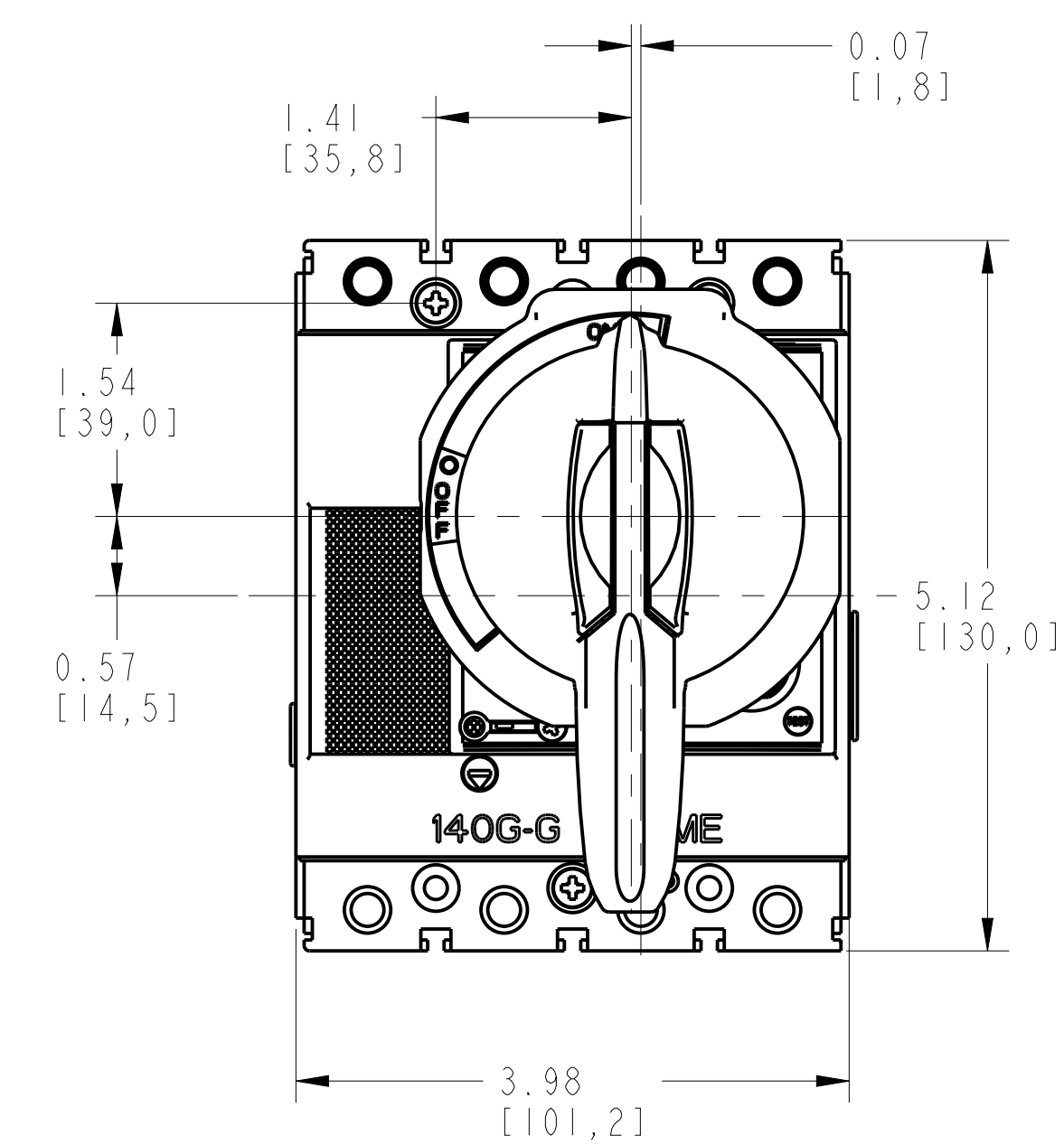
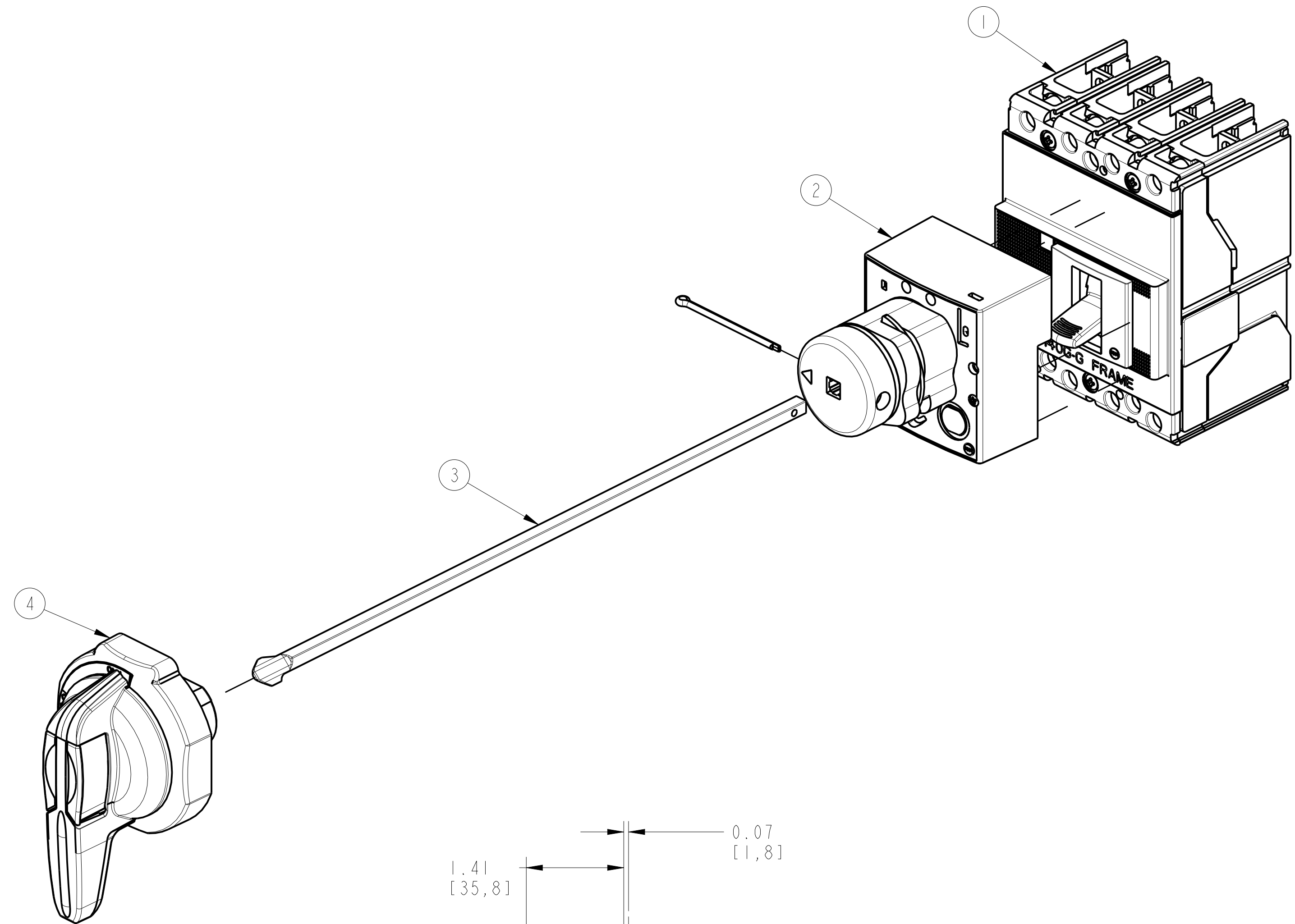
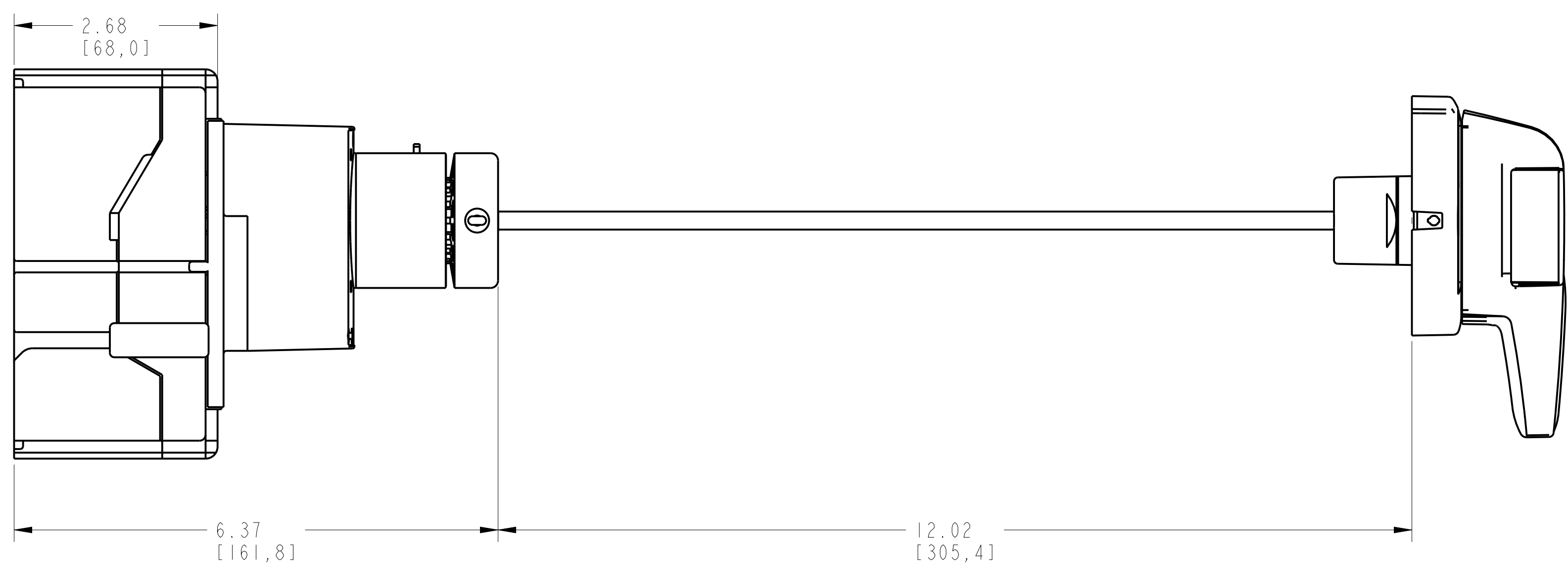
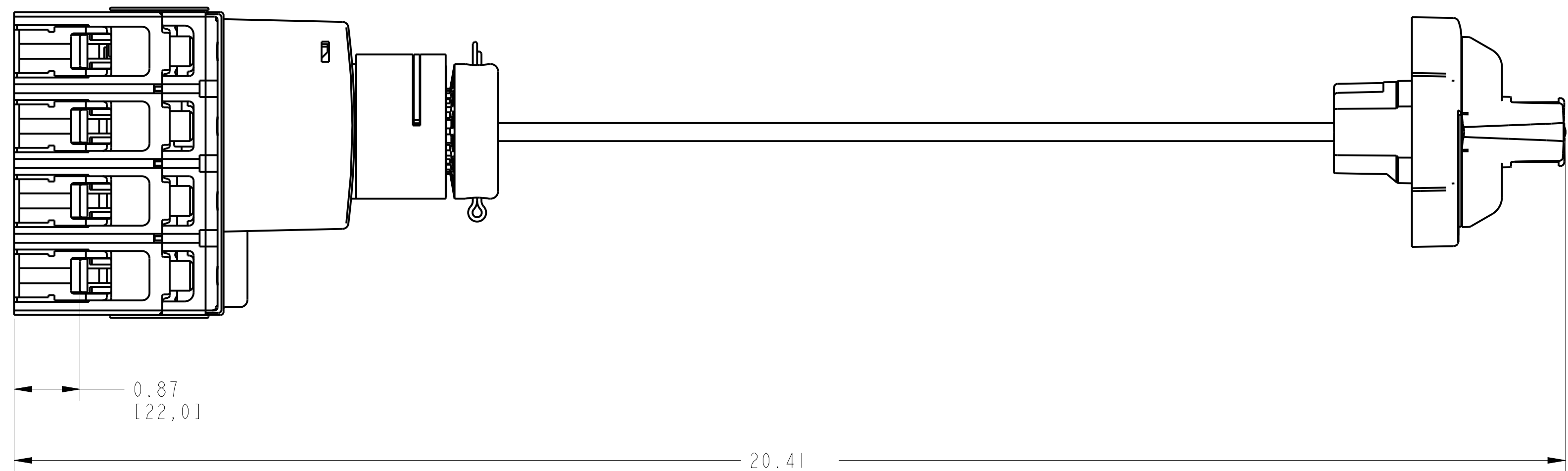


ROTARY MECHANISM ASSEMBLED TO 140G-G-3-POLE

SCALE 0.8:1

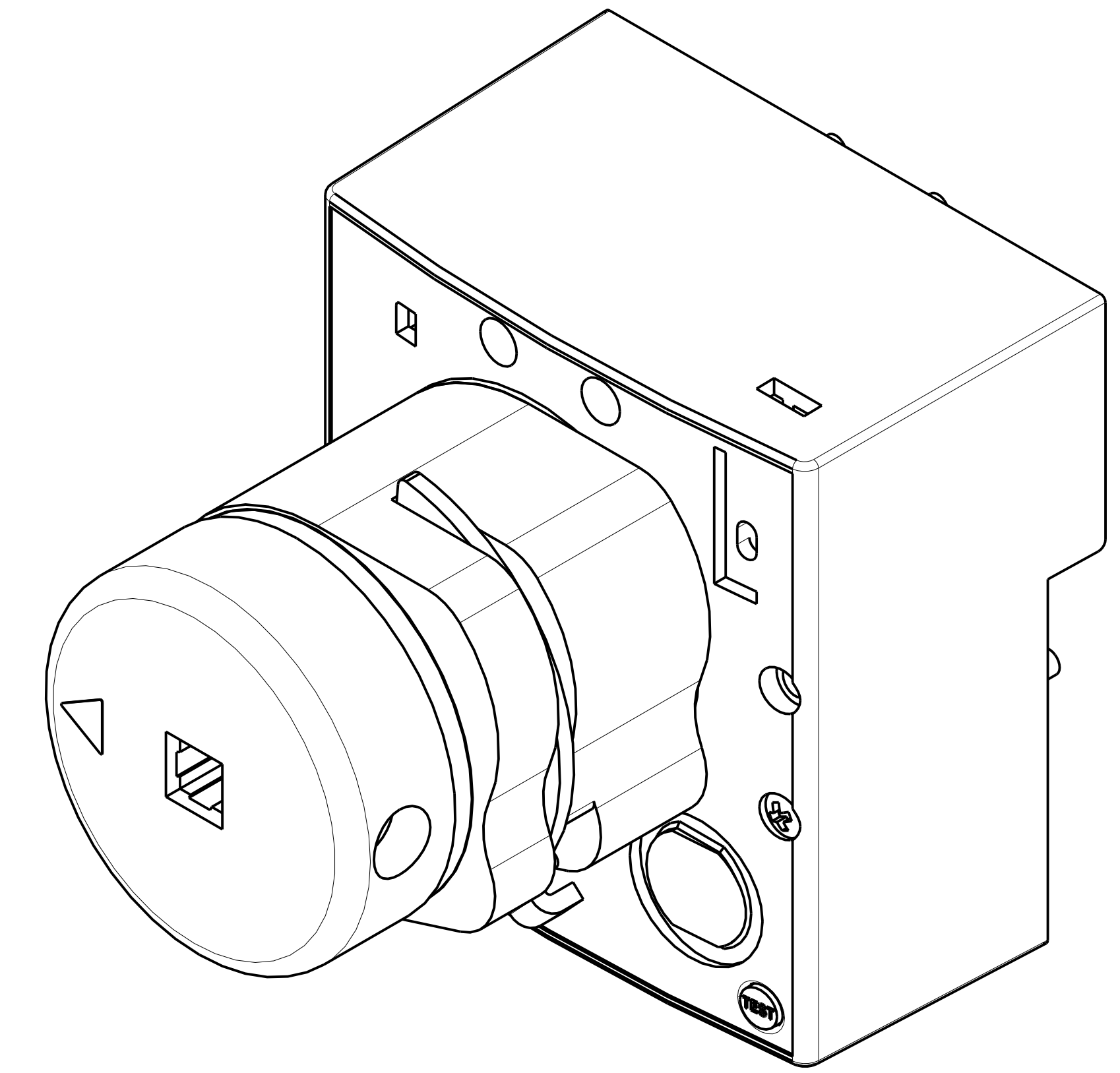
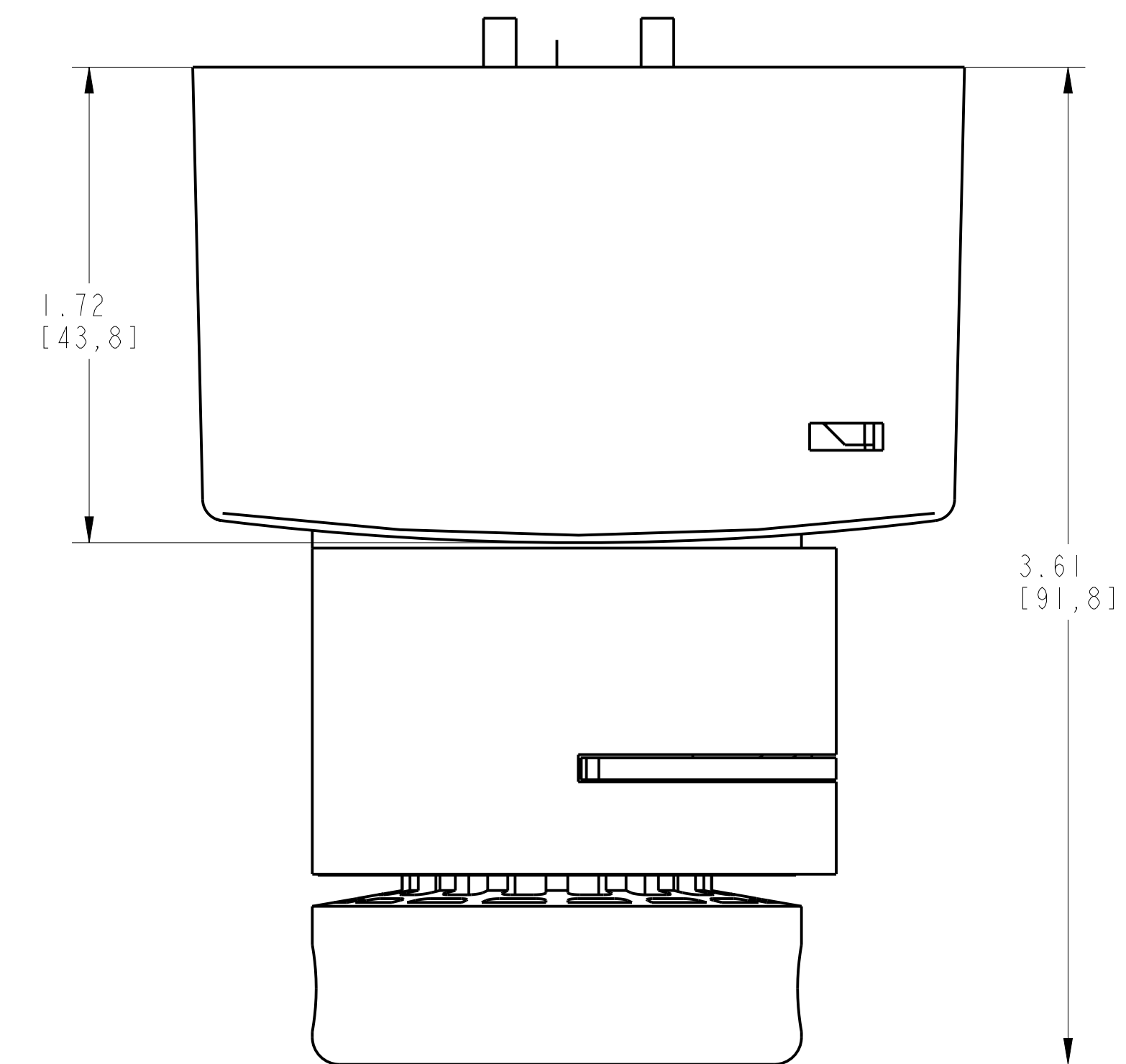
		<small>CONFIDENTIAL AND PROPRIETARY INFORMATION. THIS DOCUMENT CONTAINS CONFIDENTIAL AND PROPRIETARY INFORMATION OF ROCKWELL AUTOMATION, INC. AND MAY NOT BE USED, COPIED OR DISCLOSED TO OTHERS, EXCEPT WITH THE AUTHORIZED WRITTEN PERMISSION OF ROCKWELL AUTOMATION, INC.</small>	
		Sheet 1 Of 4	
RMX ASSEMBLED TO 140G-G-3P & 140G-G-4P CB		Size D	Ver 00
Drawn by: UMUNUSW	Date: 10-22-13	10000854991	

ROTARY MECHANISM ASSEMBLY			
ITEM	DESCRIPTION	QTY	AB CAT NUMBER
1	MOLDED CASE CIRCUIT BREAKER	1	140G-G-4P CB
2	ROTARY MECHANISM	1	140G-G-RMX
3	OPERATING SHAFT	1	-
4	DIRECT ROTARY EXTERNAL HANDLE	1	-

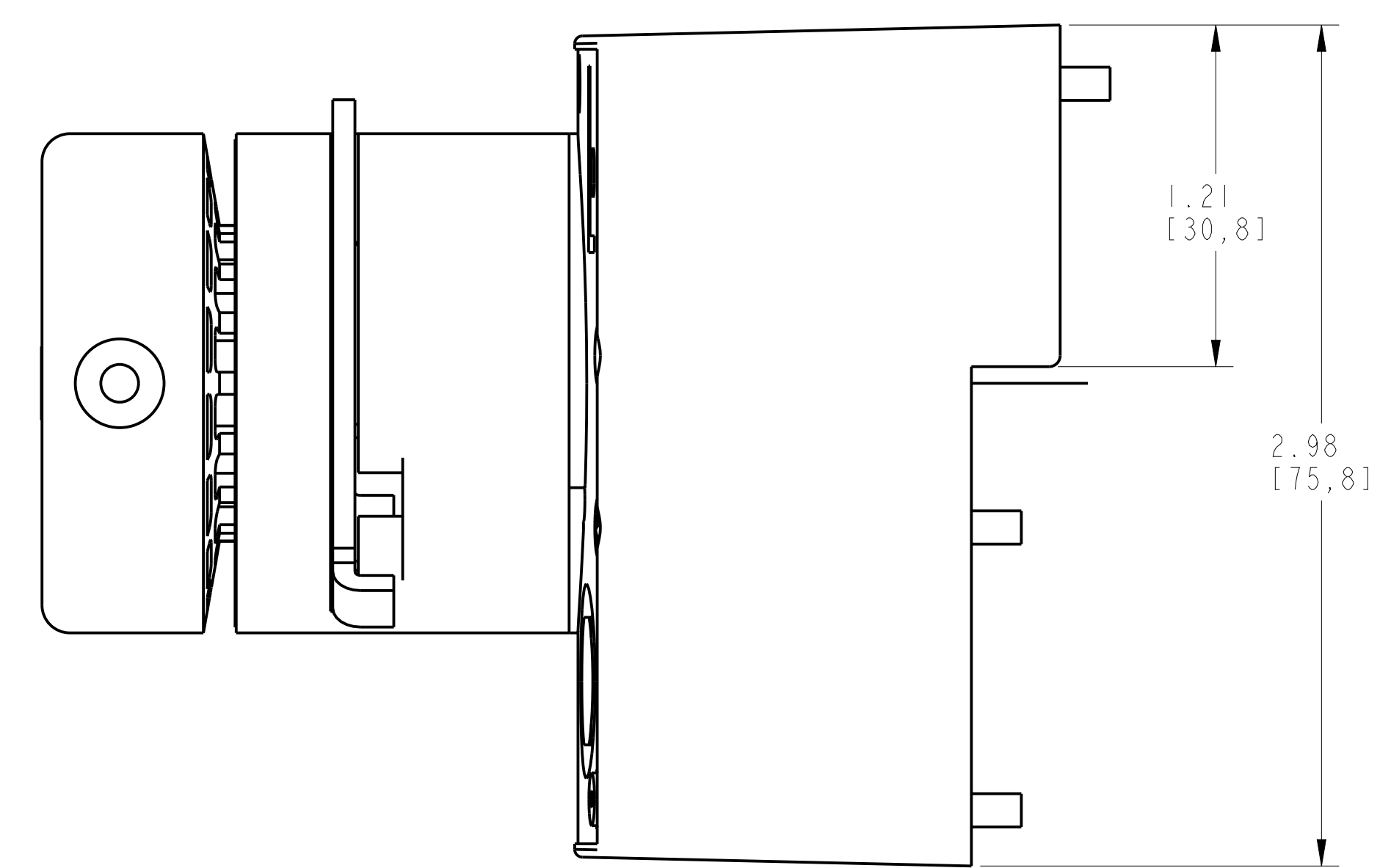
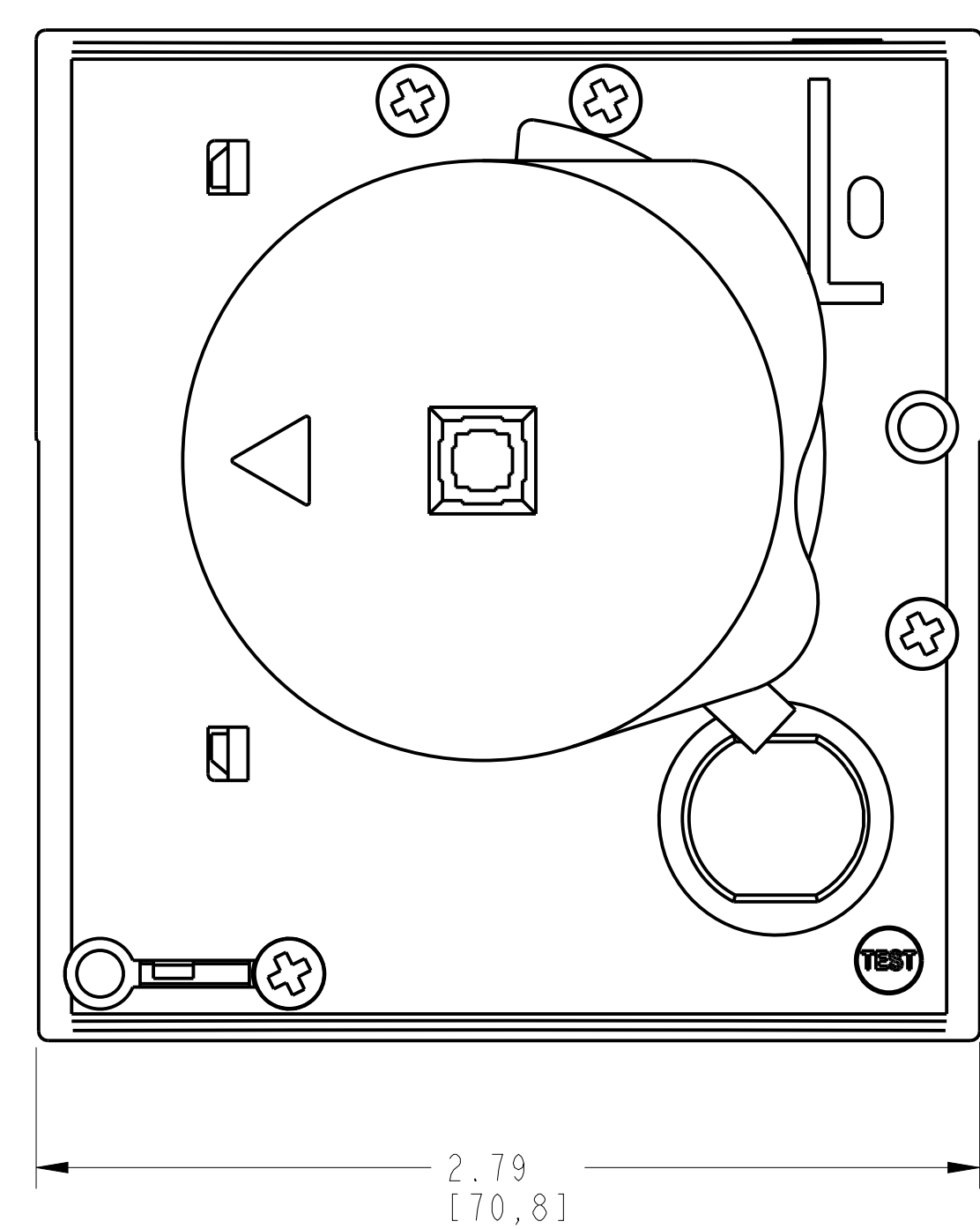


ROTARY MECHANISM ASSEMBLED TO 140G-G-4-POLE
SCALE 0.8:1

		<small>CONFIDENTIAL AND PROPRIETARY INFORMATION. THIS DOCUMENT CONTAINS CONFIDENTIAL AND PROPRIETARY INFORMATION OF ROCKWELL AUTOMATION, INC. AND MAY NOT BE USED, COPIED OR DISCLOSED TO OTHERS, EXCEPT WITH THE AUTHORIZED WRITTEN PERMISSION OF ROCKWELL AUTOMATION, INC.</small>	
		Sheet 2 Of 4	
RMX ASSEMBLED TO 140G-G-3P & 140G-G-4P CB		Size D	Ver 00
Drawn by: UMUNUSW	Date: 10-22-13	10000854991	



ISOMETRIC VIEW

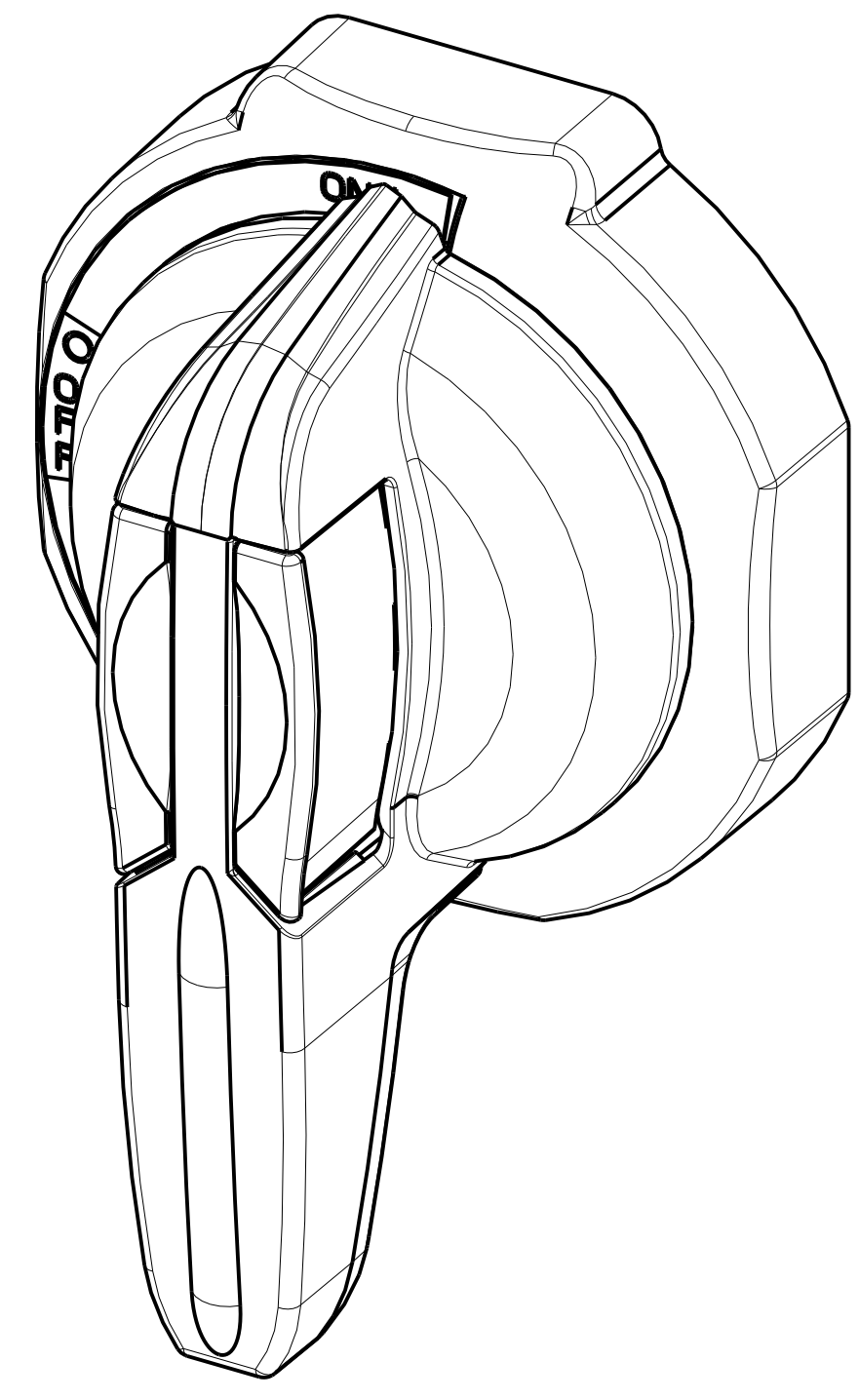
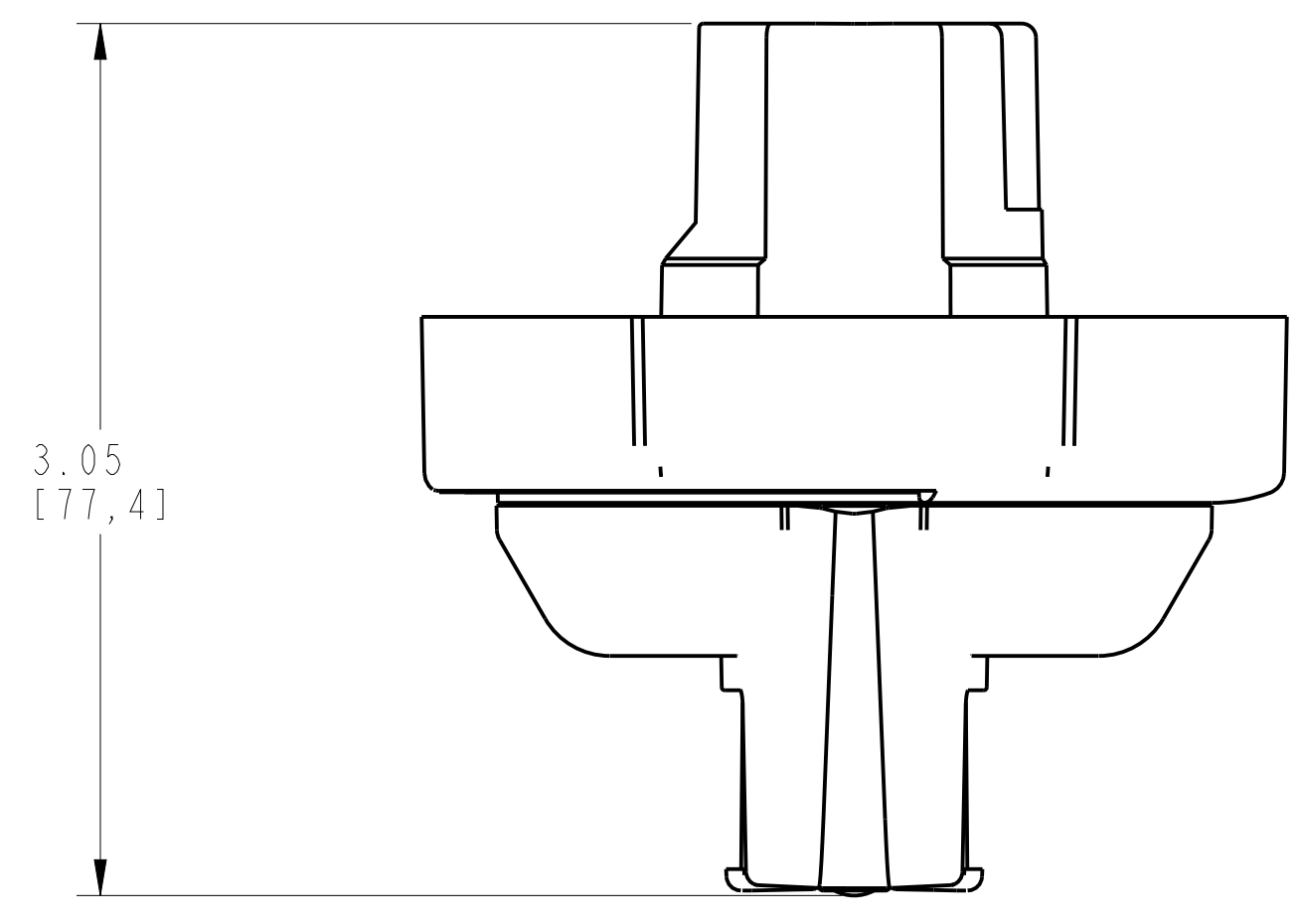


ITEM 2 : ROTARY MECHANISM
SCALE 2.00 : 1

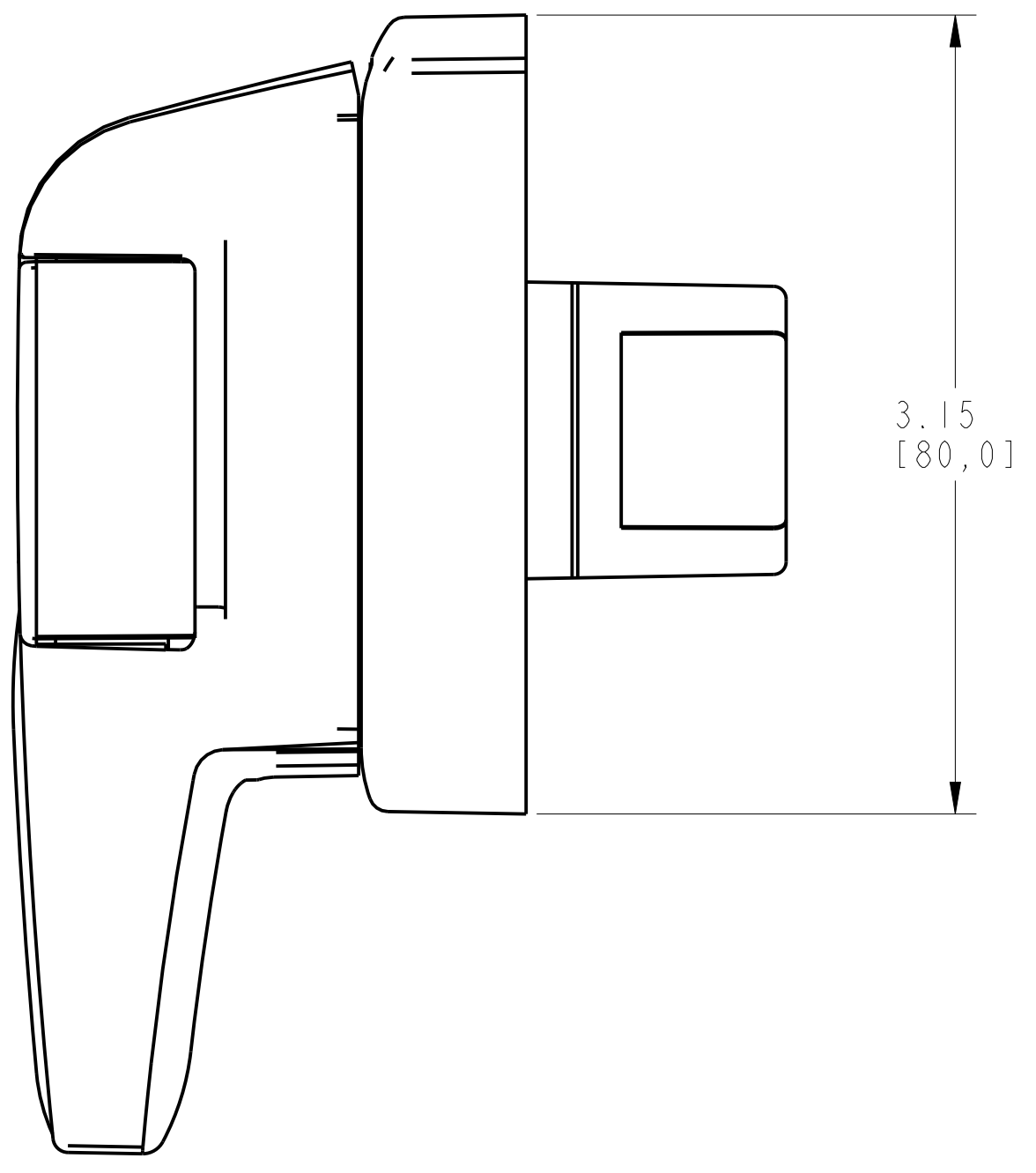
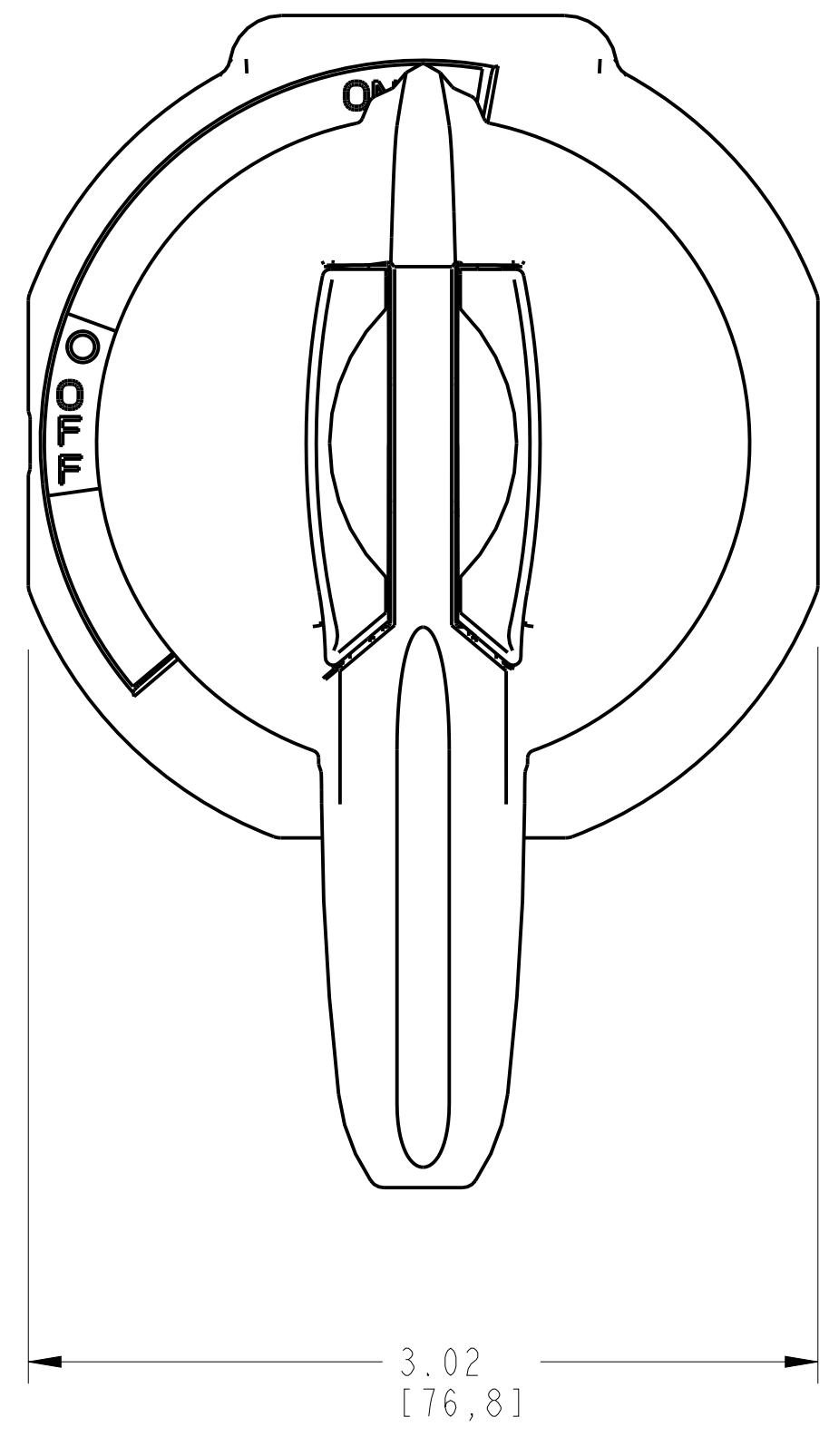
		<small>CONFIDENTIAL AND PROPRIETARY INFORMATION THIS DOCUMENT CONTAINS CONFIDENTIAL AND PROPRIETARY INFORMATION OF ROCKWELL AUTOMATION, INC. AND MAY NOT BE USED, COPIED OR DISCLOSED TO OTHERS, EXCEPT WITH THE AUTHORIZED WRITTEN PERMISSION OF ROCKWELL AUTOMATION, INC.</small>	
		Sheet 3 Of 4	
RMX ASSEMBLED TO 140G-G-3P & 140G-G-4P CB		Size D	Ver 00
Drawn by: UMUNUSW	Date: 10-22-13	10000854991	

1 2 3 4 5 6 7 8

A
B
C
D
E
F
G
H



ISOMETRIC VIEW



ITEM 5 : DIRECT ROTARY EXTERNAL HANDLE
SCALE 1.5 :1

		<small>CONFIDENTIAL AND PROPRIETARY INFORMATION THIS DOCUMENT CONTAINS CONFIDENTIAL AND PROPRIETARY INFORMATION OF ROCKWELL AUTOMATION, INC. AND MAY NOT BE USED, COPIED OR DISCLOSED TO OTHERS, EXCEPT WITH THE AUTHORIZED WRITTEN PERMISSION OF ROCKWELL AUTOMATION, INC.</small>	
		Sheet 4 Of 4	
RMX ASSEMBLED TO 140G-G-3P & 140G-G-4P CB		Size D	Ver 00
Drawn by: UMUNUSW	Date: 10-22-13	10000854991	