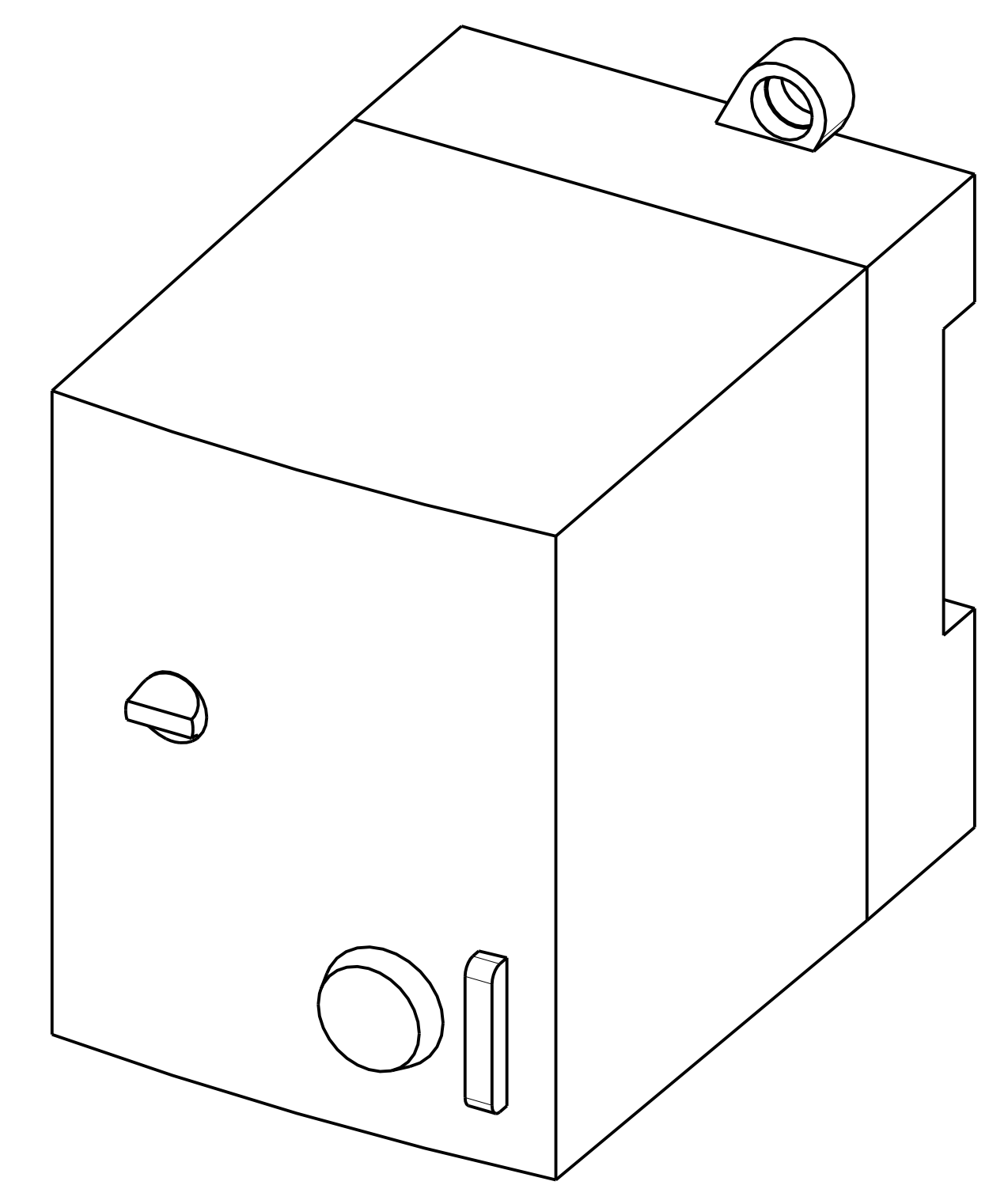
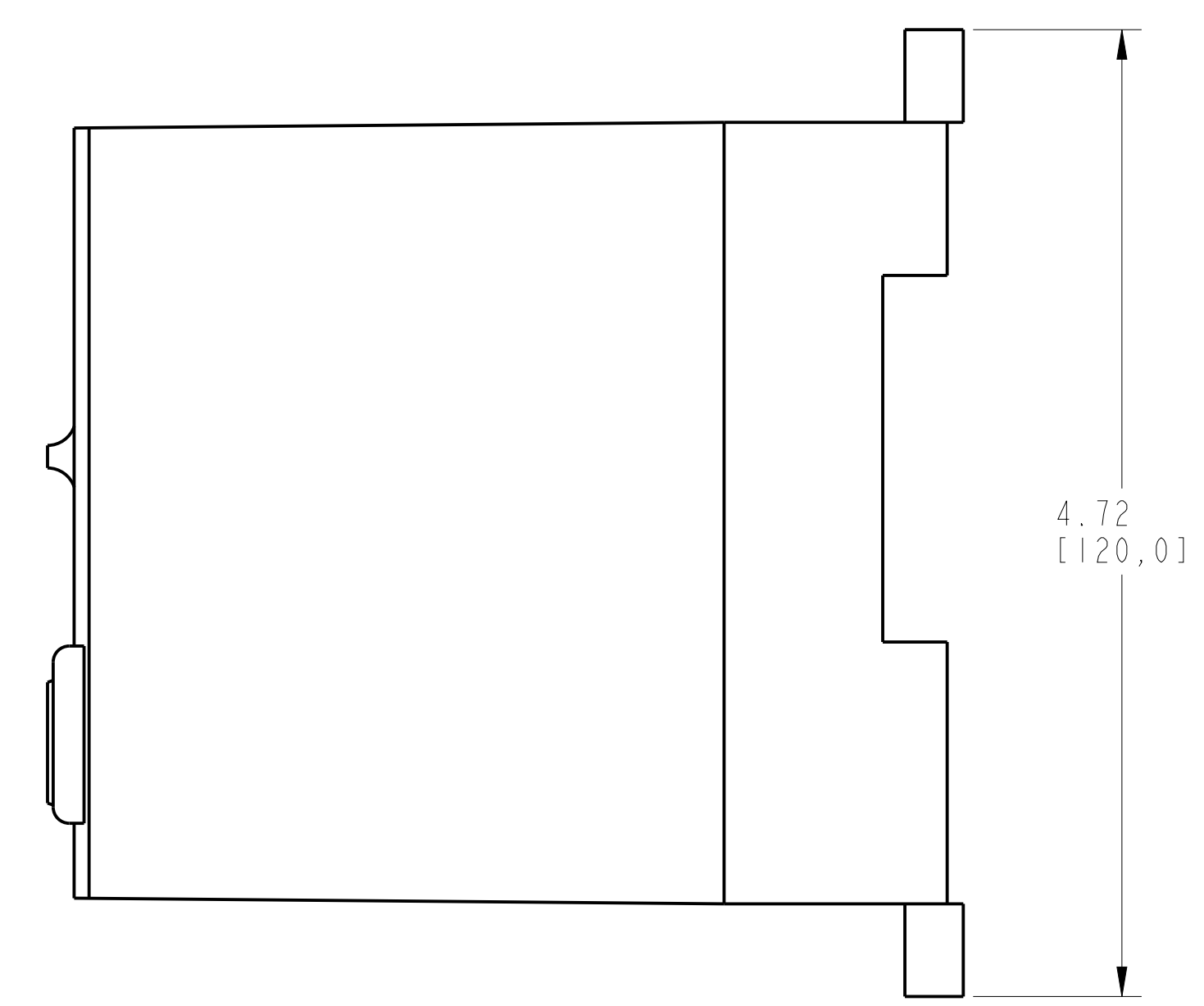
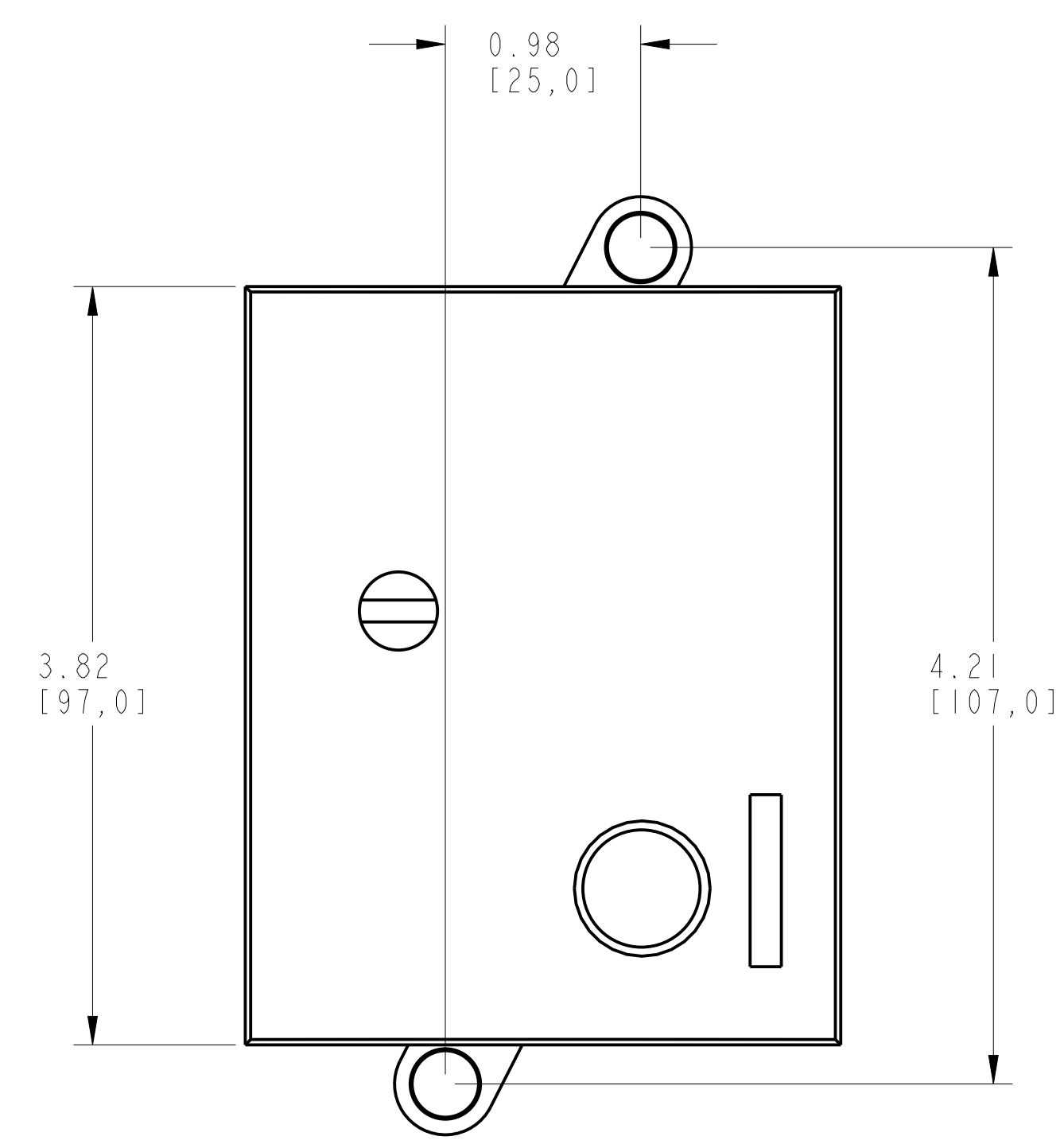
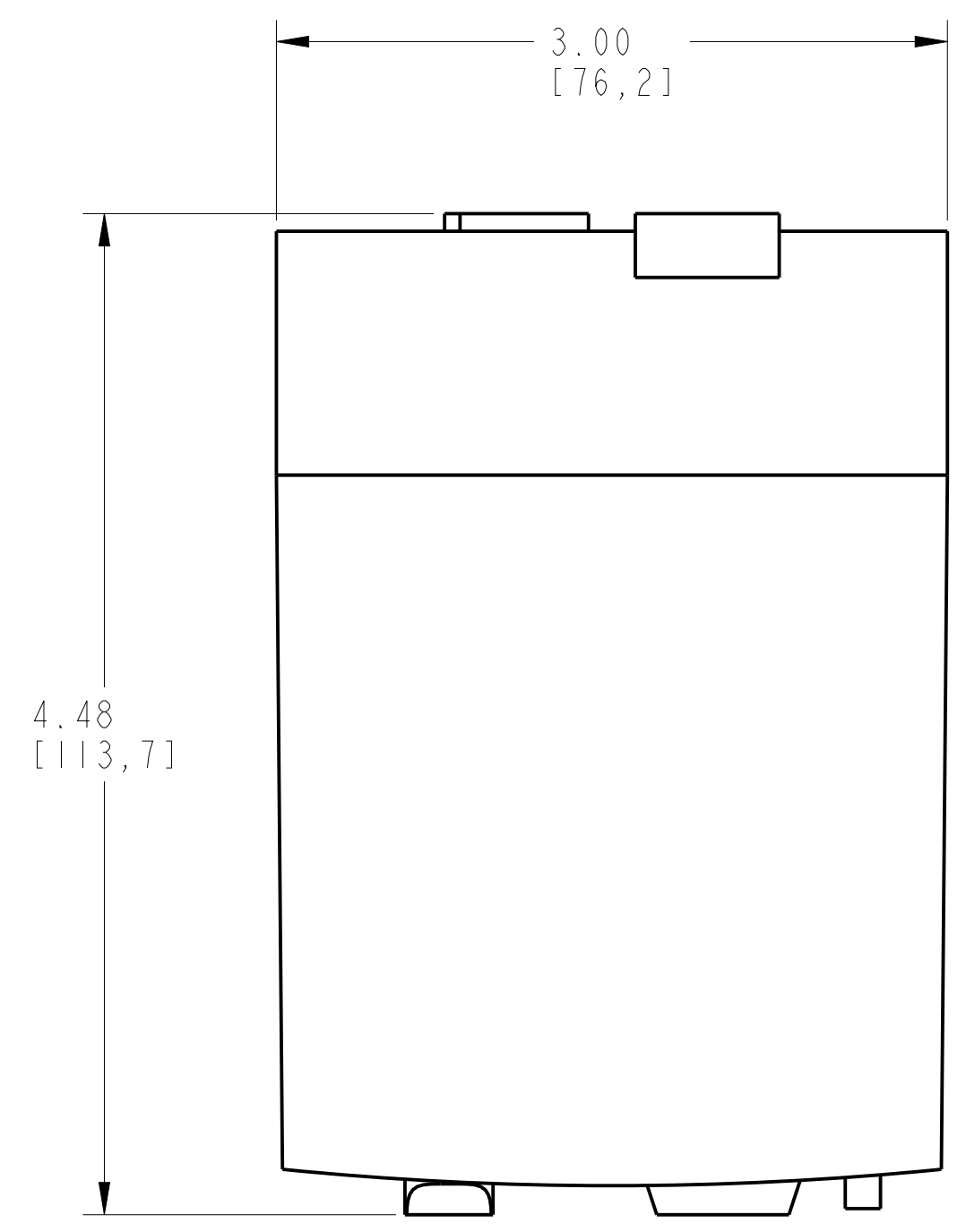


1 2 3 4 5 6 7 8

A
B
C
D
E
F
G
H



ISOMETRIC VIEW

NOTE :
 USED IN FRAMES:
 1. 140G-G-3P CB
 2. 140G-G-4P CB

MOTOR OPERATOR EOP
 SCALE 1.3:1

		<small>CONFIDENTIAL AND PROPRIETARY INFORMATION. THIS DOCUMENT CONTAINS CONFIDENTIAL AND PROPRIETARY INFORMATION OF ROCKWELL AUTOMATION, INC. AND MAY NOT BE USED, COPIED OR DISCLOSED TO OTHERS, EXCEPT WITH THE AUTHORIZED WRITTEN PERMISSION OF ROCKWELL AUTOMATION, INC.</small>	
		Sheet 1 Of 1	
MOTOR OPERATOR EOP		Size D	Ver 00
Drawn by: UMUNUSW	Date: JAN-30-2014	10000974007	