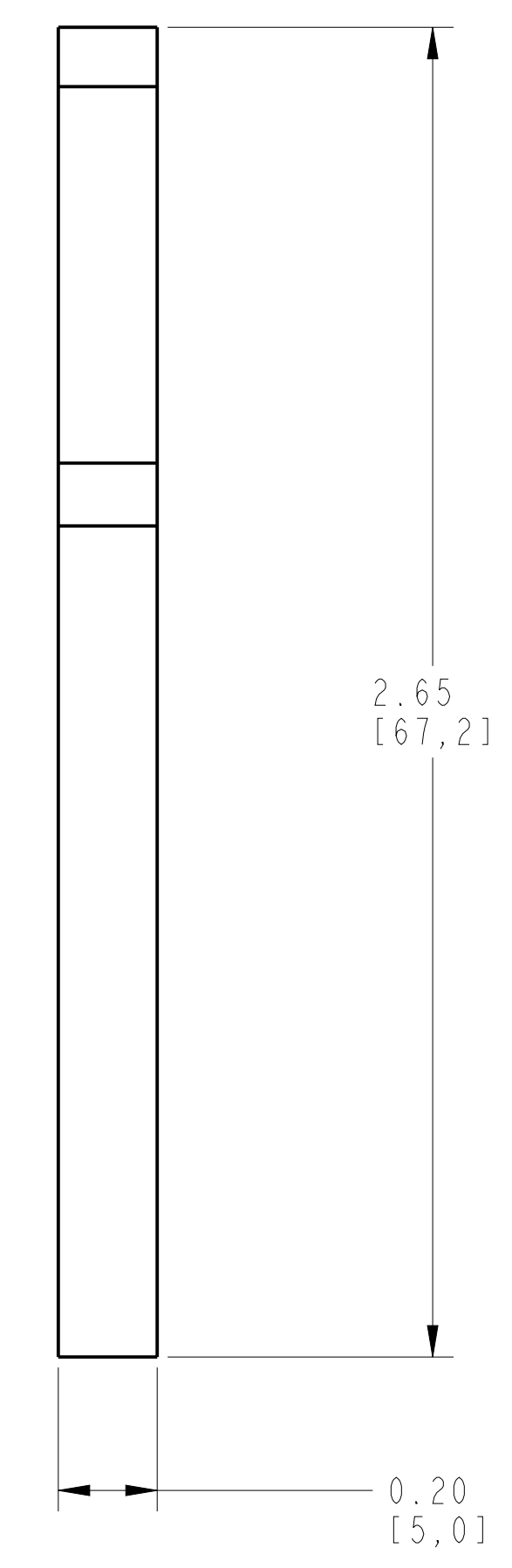
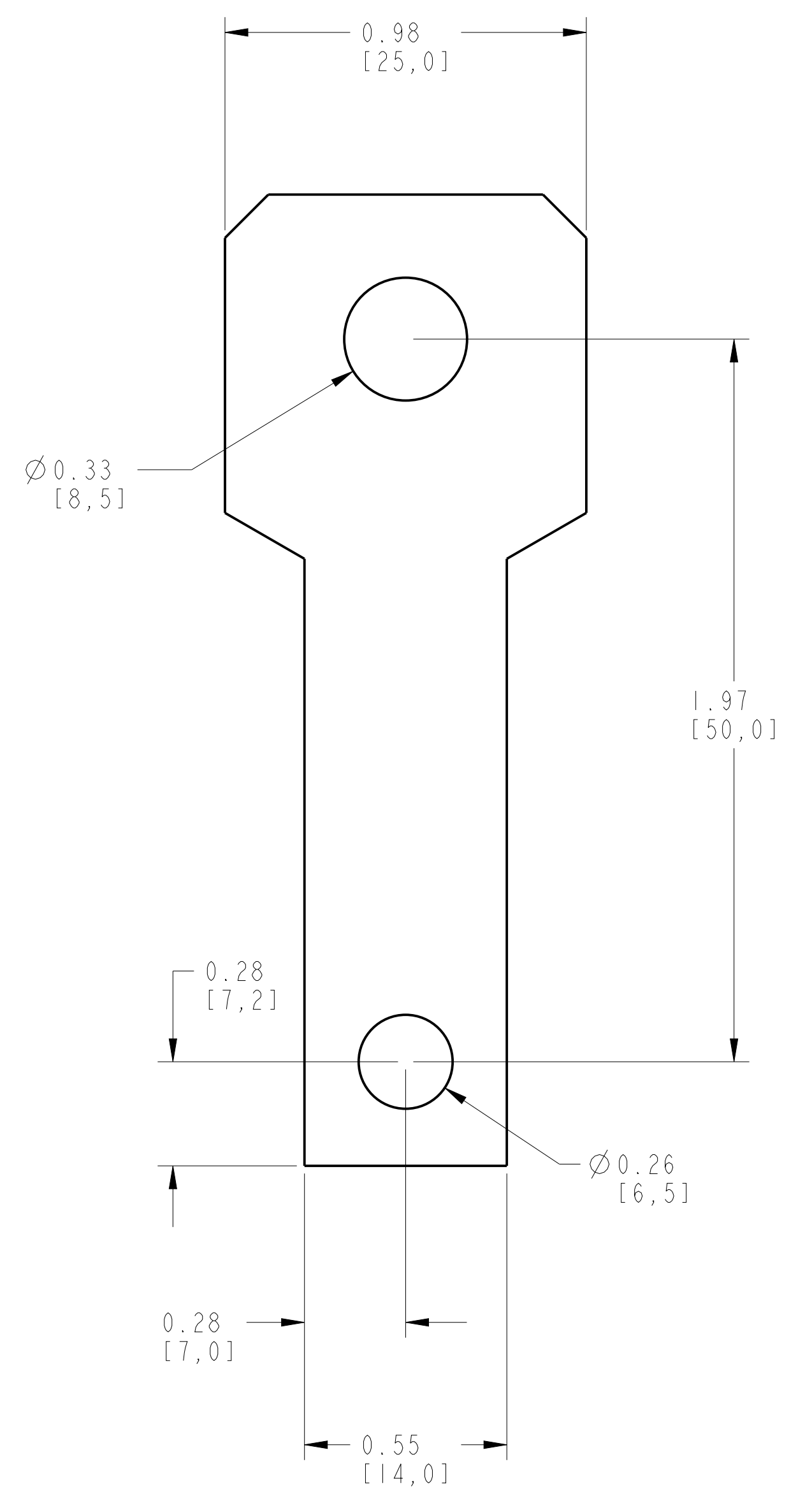


FRONT SPREADER TERMINAL LH/RH END
SCALE 3:1



FRONT SPREADER TERMINAL MIDDLE
SCALE 3:1



		<small>CONFIDENTIAL AND PROPRIETARY INFORMATION THIS DOCUMENT CONTAINS CONFIDENTIAL AND PROPRIETARY INFORMATION OF ROCKWELL AUTOMATION, INC. AND MAY NOT BE USED, COPIED OR DISCLOSED TO OTHERS, EXCEPT WITH THE AUTHORIZED WRITTEN PERMISSION OF ROCKWELL AUTOMATION, INC.</small>	
		Sheet 1 Of 1	
SPRDR TRMNL FOR 140-G-3POLE CB		Size D	Ver 00
Drawn by: UMUNUSW	Date: JAN-27-2014	10000973852	