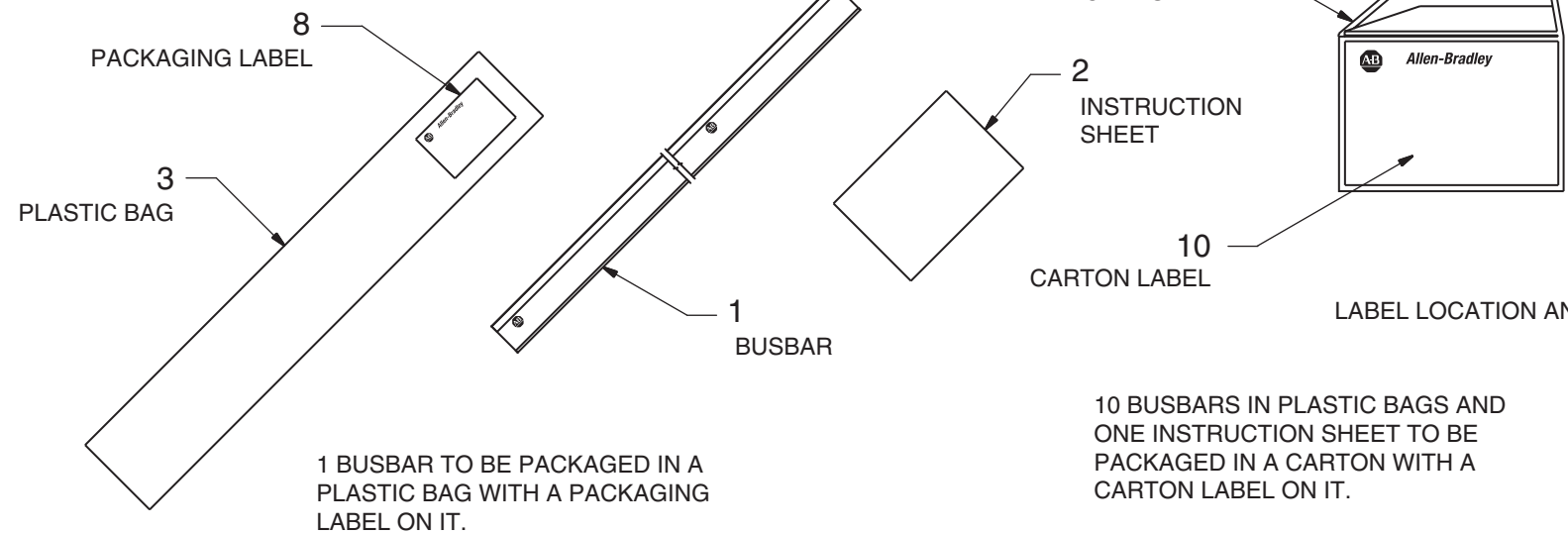


MONOGRAM
PER 40028-500

PRINTING
SEE NOTES 4 AND 5

1 INSULATION MATERIAL: PC/ABS OR PVC - (LEAD FREE) LIGHT GRAY
COPPER BAR MATERIAL: E-Cu 58 F25



1 BUSBAR TO BE PACKAGED IN A
PLASTIC BAG WITH A PACKAGING
LABEL ON IT.

10 BUSBARS IN PLASTIC BAGS AND
ONE INSTRUCTION SHEET TO BE
PACKAGED IN A CARTON WITH A
CARTON LABEL ON IT.

BILL OF MATERIALS

AMT PER ASSY	PRT. REQ.	PART NUMBER	DESCRIPTION	IT.
10		SEE NOTES 1 & 2	BUSBAR	1
1		10000049753	INSTRUCTION SHEET	2
10		SEE NOTES 1 & 2	PLASTIC BAG	3
1		SEE NOTES 1 & 2	CARTON, WHITE CHIPBOARD 0.6mm THICK (4.5 X 7 X 10.3cm)	5
10		PER 10000054430	PACKAGING LABEL	8
1		PER 10000054430	CARTON LABEL	10
0.1			ONE CATALOG UNIT	
A	A		ALLEN-BRADLEY SER. CATALOG NO.	
PN-35295			MATERIAL NO.	
	10		STD. PKG. QTY.	

NOTES:

1. NO ALLEN-BRADLEY PART NUMBER.
2. SUPPLIED BY VENDOR.
3. ALL DIMENSIONS ARE REF. ONLY AND IN mm UNLESS OTHERWISE SPECIFIED.
4. RETAIN RELATIVE SIZE AND POSITION OF CHARACTERS AND MARKINGS AS SHOWN.
5. PRINTING - BLACK INK PAD TRANSFER.

**Rockwell
Automation**

CONFIDENTIAL AND PROPRIETARY INFORMATION. THIS DOCUMENT
CONTAINS CONFIDENTIAL AND PROPRIETARY INFORMATION OF
ROCKWELL AUTOMATION, INC. AND MAY NOT BE USED, COPIED OR
DISCLOSED TO OTHERS, EXCEPT WITH THE AUTHORIZED WRITTEN
PERMISSION OF ROCKWELL AUTOMATION, INC.

SINGLE PHASE BUSBAR
80A, W/ AUX.

Sheet 1 Of 1

Size

Ver

C

10000050075

00

Dr. G. Fillus

Date 3-10-09