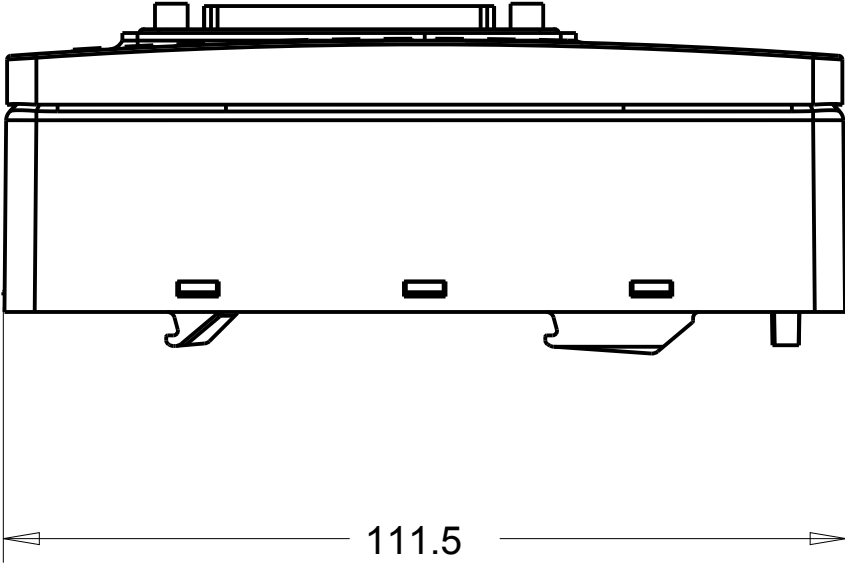
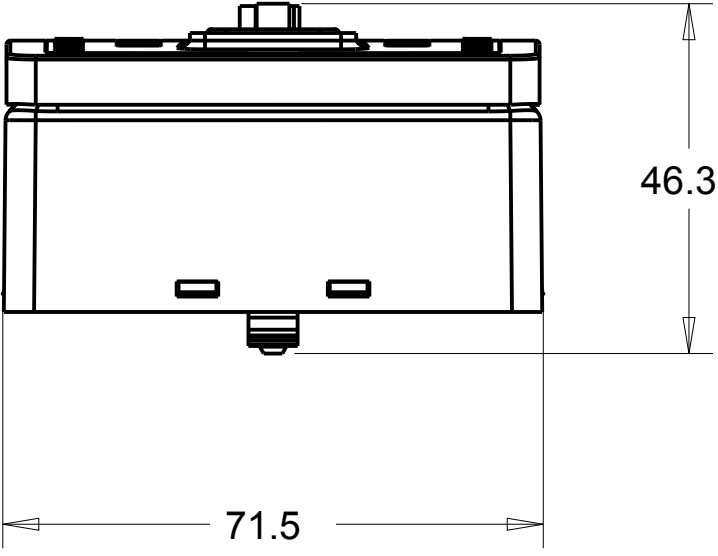
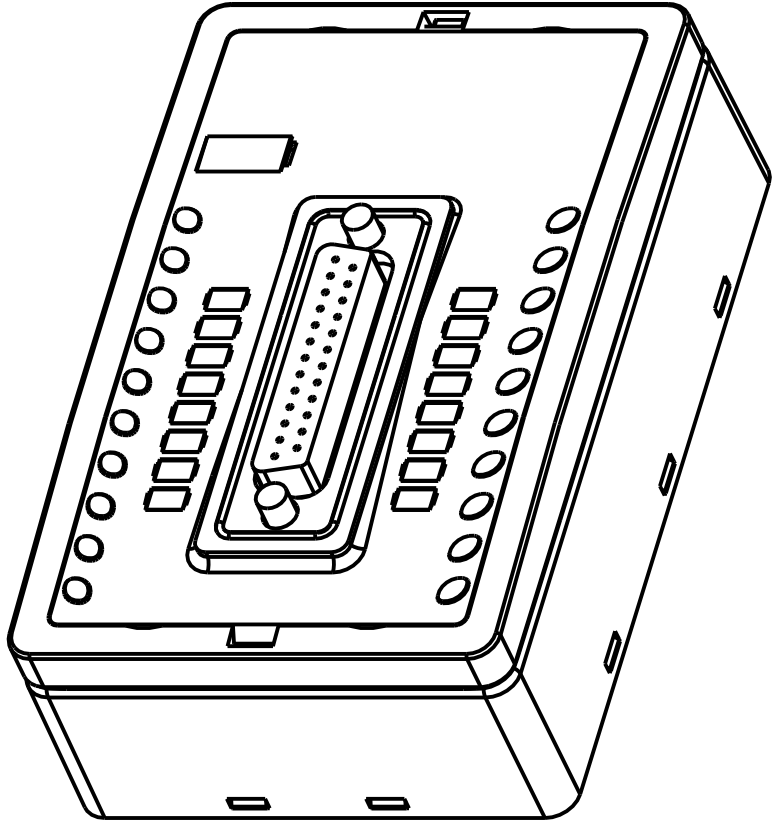
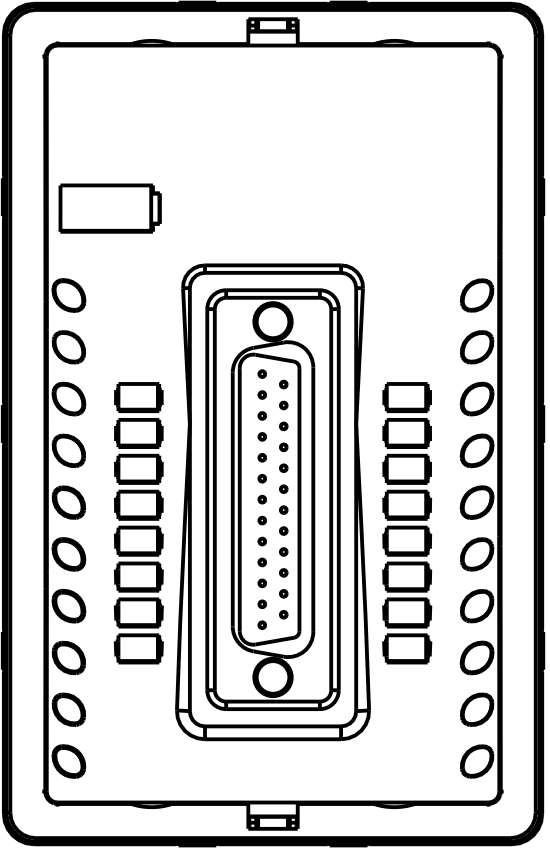


1 2 3 4 5 6 7 8

A  
B  
C  
D  
E  
F  
G  
H



**Rockwell  
Automation**

1738-OB16E25DS, ASSEMBLY, DRAWING

Drawn by: YSUPRIA Date: 03-14-12

CONFIDENTIAL AND PROPRIETARY INFORMATION.  
THIS DOCUMENT CONTAINS CONFIDENTIAL AND PROPRIETARY  
INFORMATION OF ROCKWELL AUTOMATION, INC. AND MAY  
NOT BE USED, COPIED OR DISCLOSED TO OTHERS, EXCEPT  
WITH THE AUTHORIZED WRITTEN PERMISSION OF ROCKWELL  
AUTOMATION, INC.

Sheet 1 Of 1

Size	Ver
C	00

10000253309