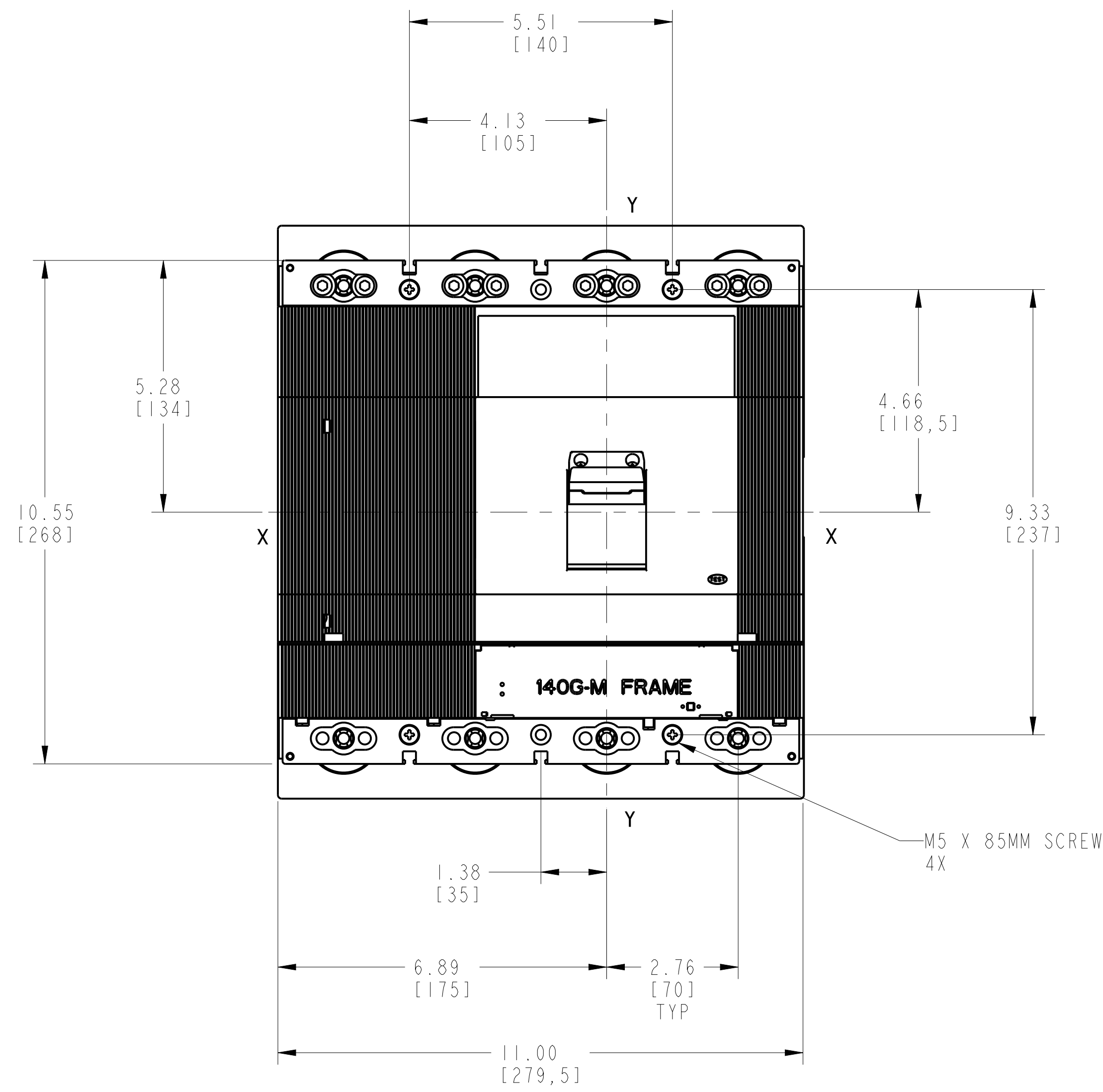
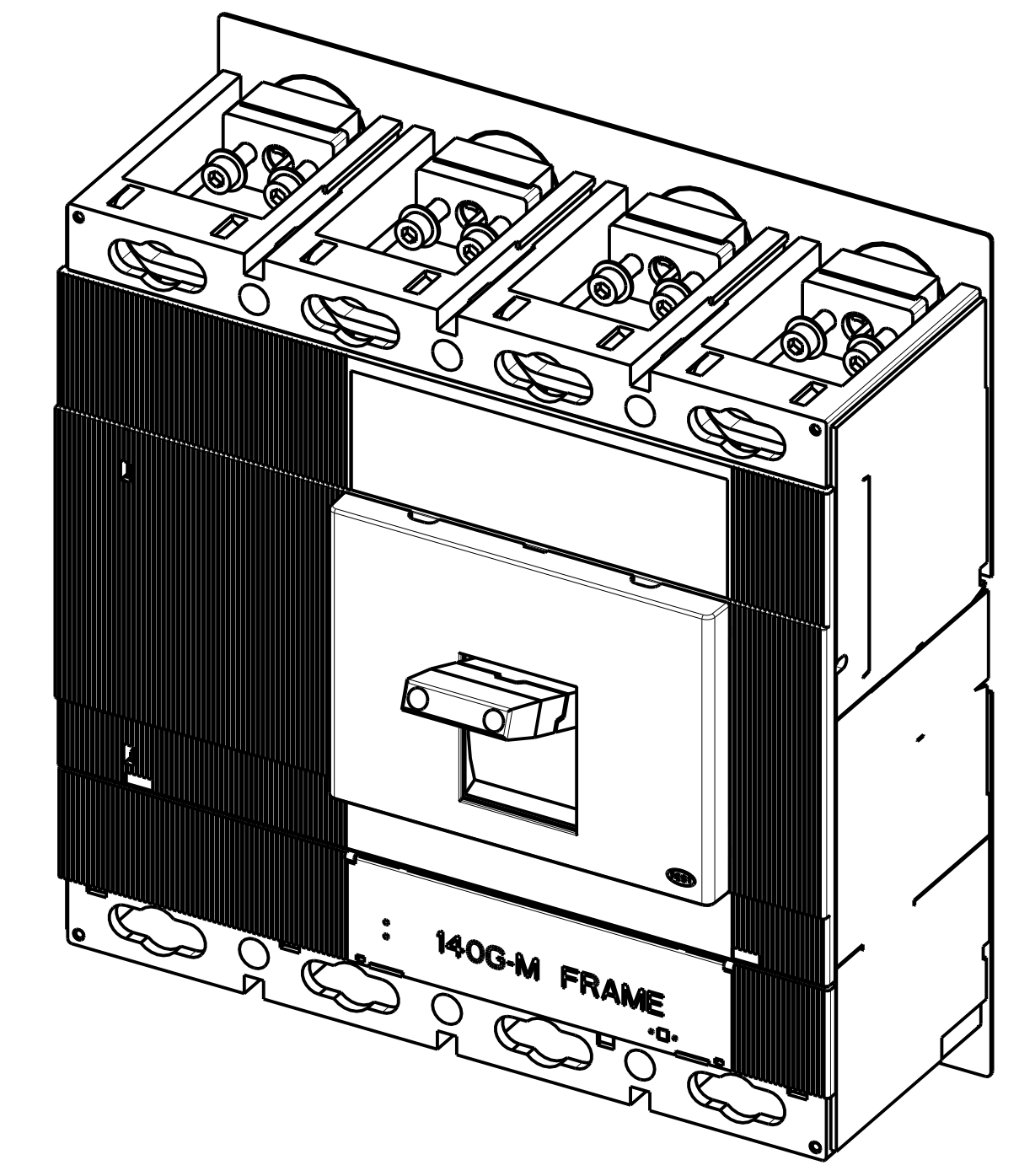
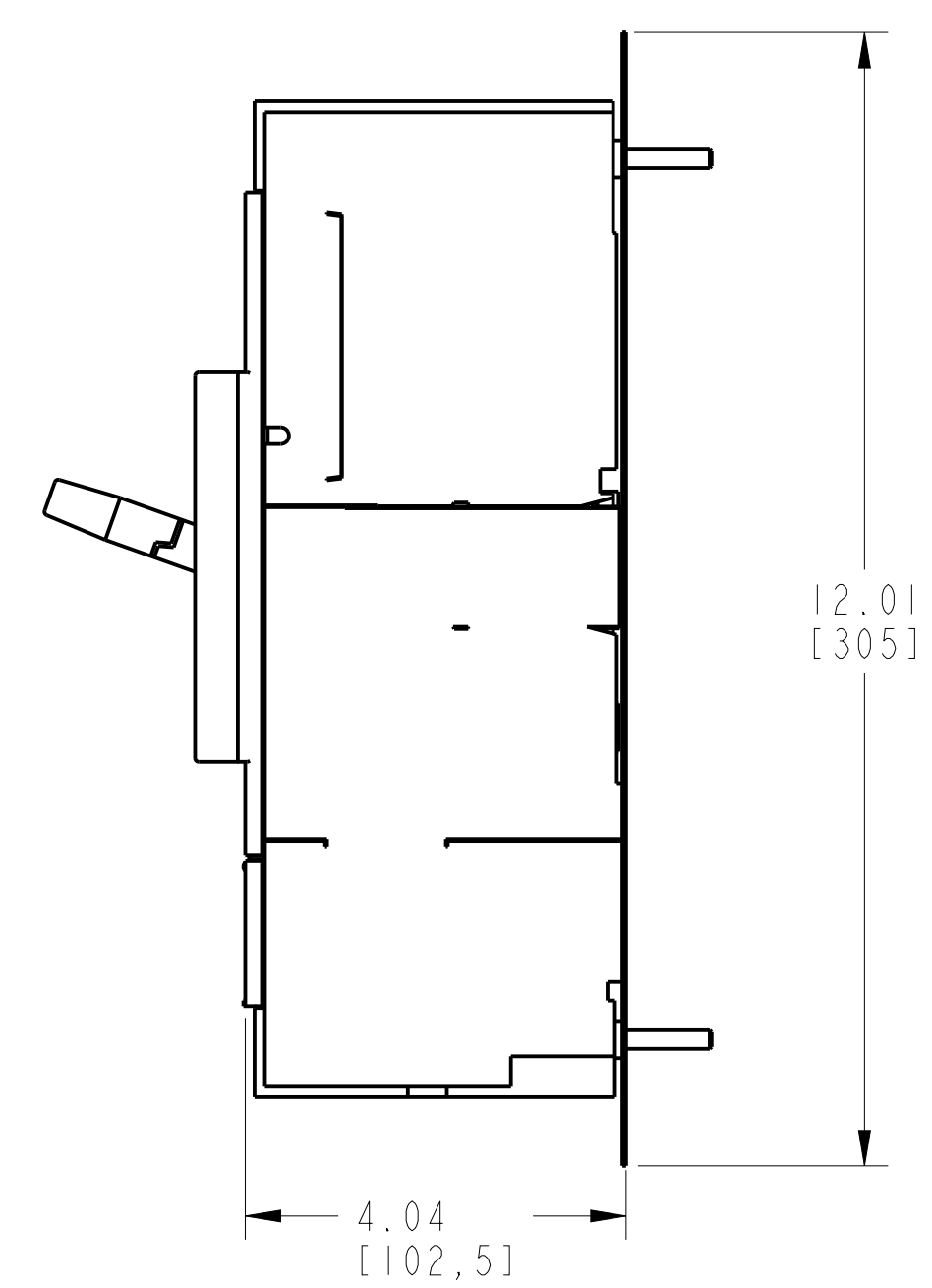


1 2 3 4 5 6 7 8

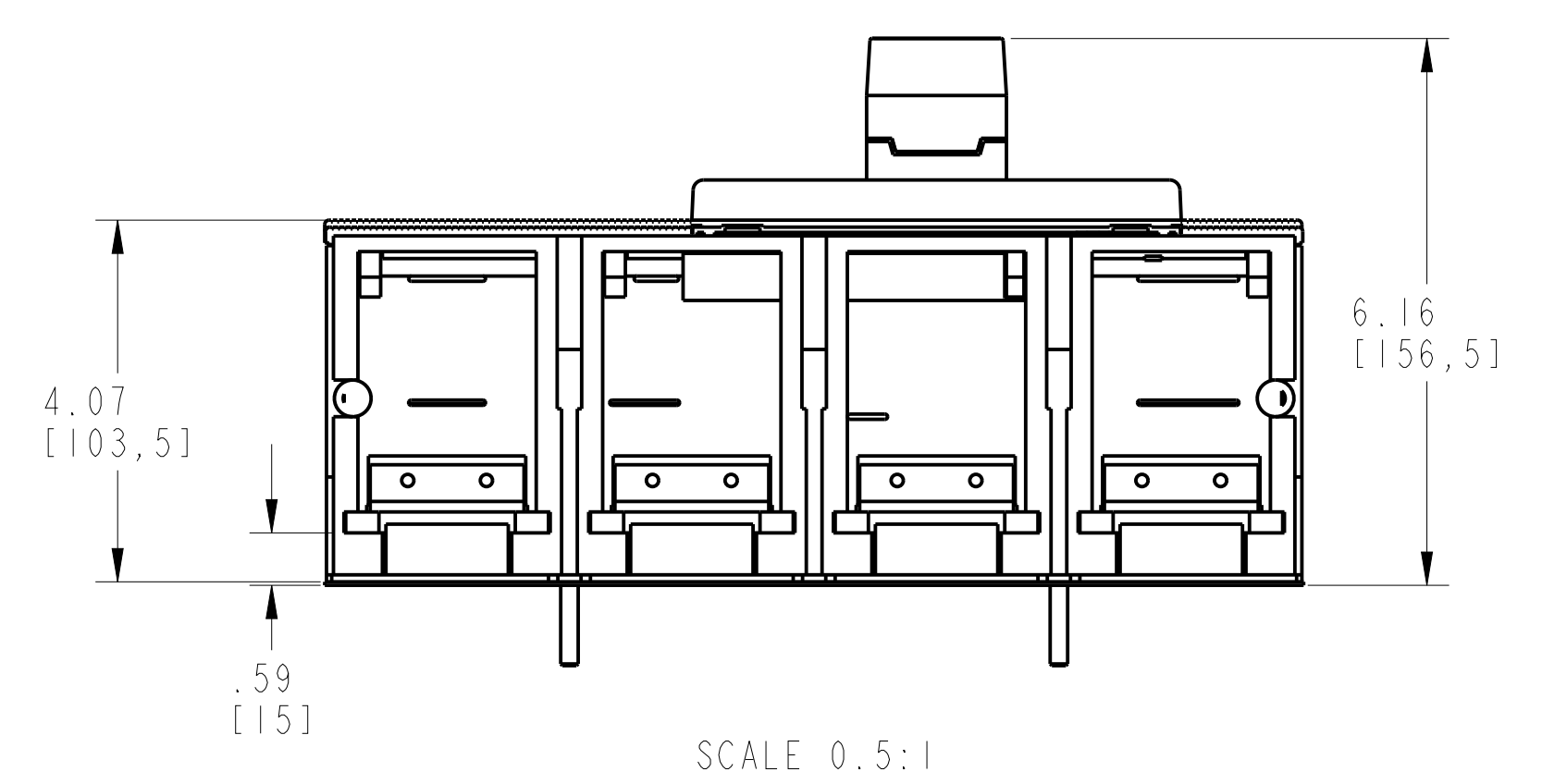
A  
B  
C  
D  
E  
F  
G  
H



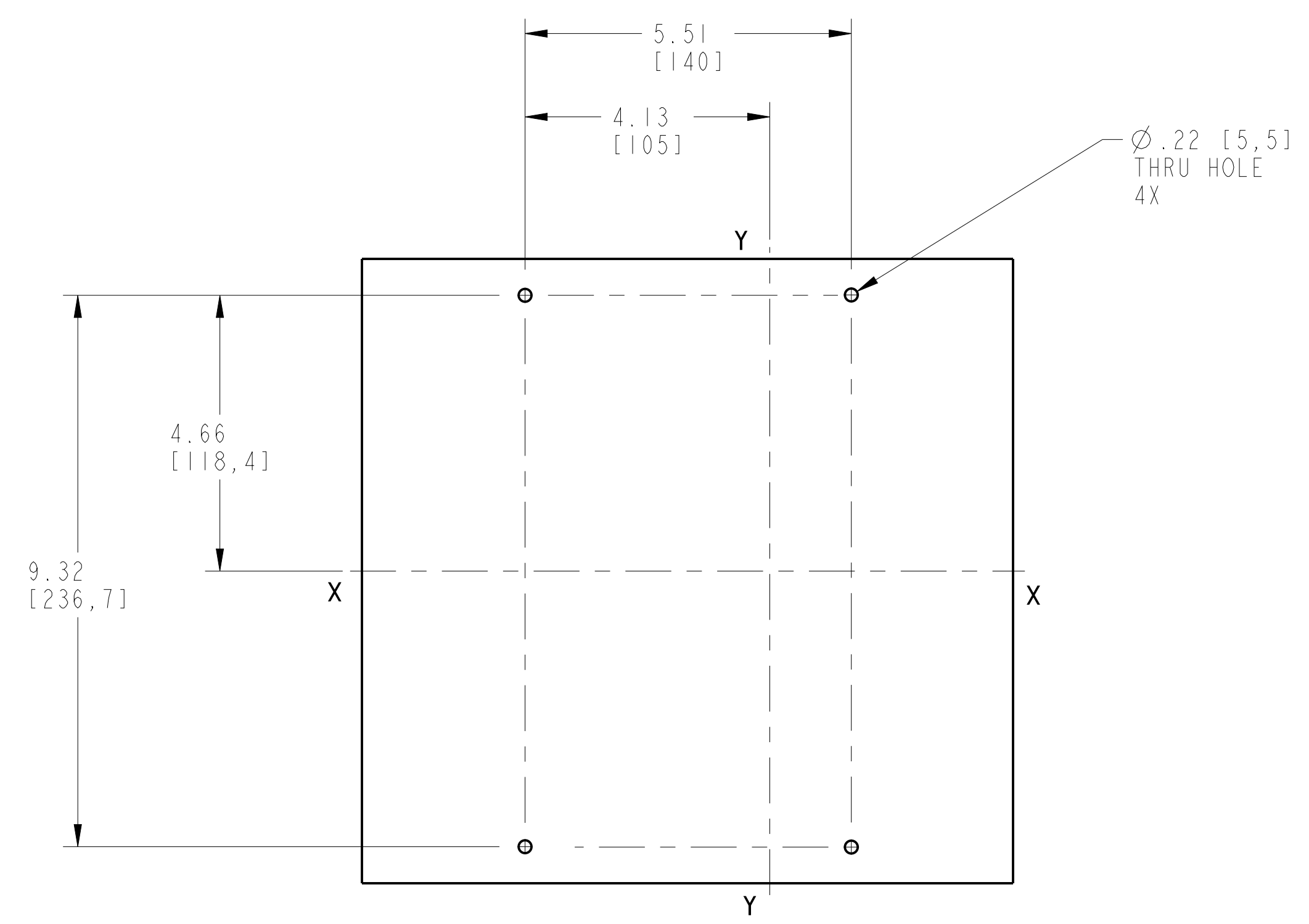
M5 X 85MM SCREW  
4X



ISOMETRIC VIEW



SCALE 0.5:1



DRILLING FOR FIXING CIRCUIT BREAKER  
SCALE 0.5:1

		<small>CONFIDENTIAL AND PROPRIETARY INFORMATION. THIS DOCUMENT CONTAINS CONFIDENTIAL AND PROPRIETARY INFORMATION OF ROCKWELL AUTOMATION, INC. AND MAY NOT BE USED, COPIED OR DISCLOSED TO OTHERS, EXCEPT WITH THE AUTHORIZED WRITTEN PERMISSION OF ROCKWELL AUTOMATION, INC.</small>	
		Sheet 1 Of 1	
140G-M-4POLE MOLDED CASE CIRCUIT BREAKER		Size D	Part No. 10000850744
Drawn by: UMUNUSW	Date: OCT-17-2013	Ver 00	