

---

## Mount the Adapter and I/O Base

To mount the ArmorPoint I/O adapter on a wall or panel, use the screw holes provided with the ArmorPoint I/O adapter.

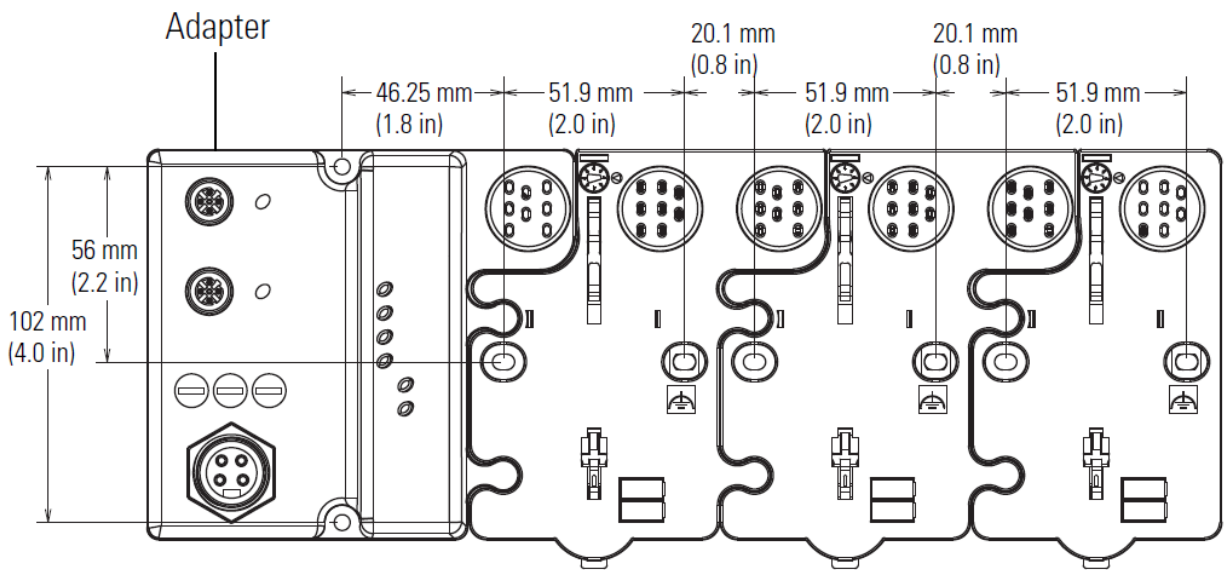
---

### IMPORTANT

The ArmorPoint I/O adapter must be mounted on a grounded metal mounting plate or other conductive surface.

---

## Mounting illustration for the ArmorPoint I/O adapter with I/O bases



44834

Follow the instructions to install the mounting base.

1. Lay out the required points as shown above in the drilling dimension drawing.
2. Drill the necessary holes for M4 (#8) machine or self-tapping screws.
3. Mount the adapter using M4 (#8) screws.