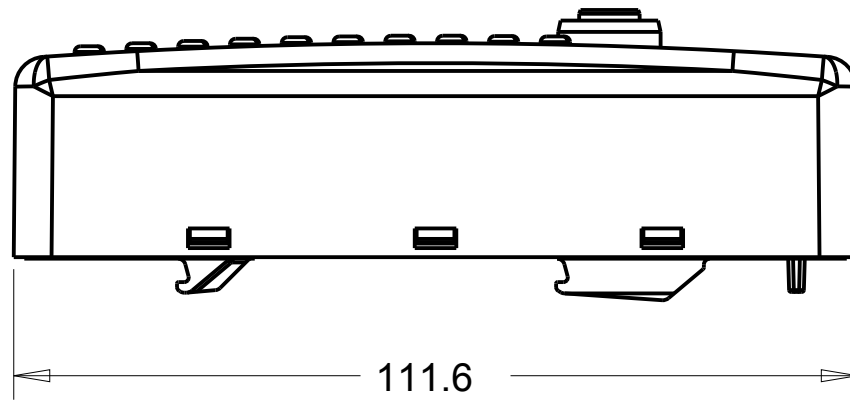
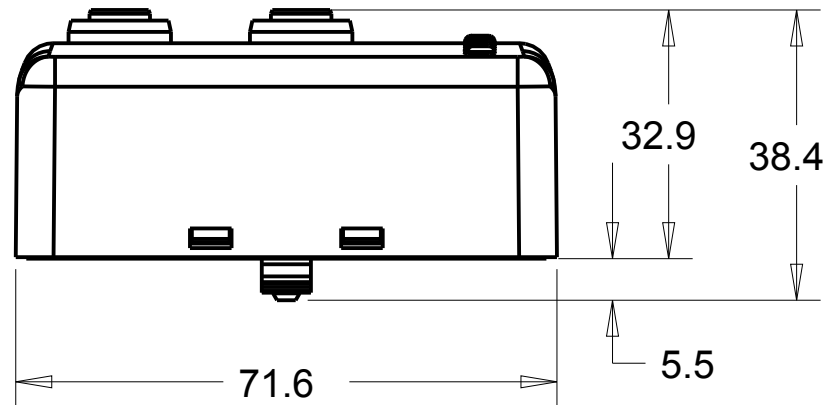
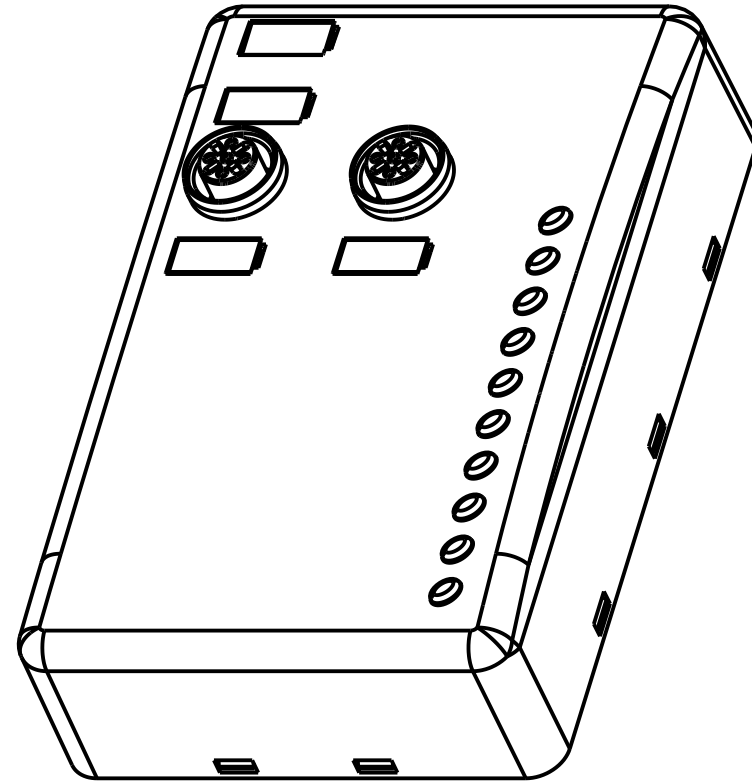
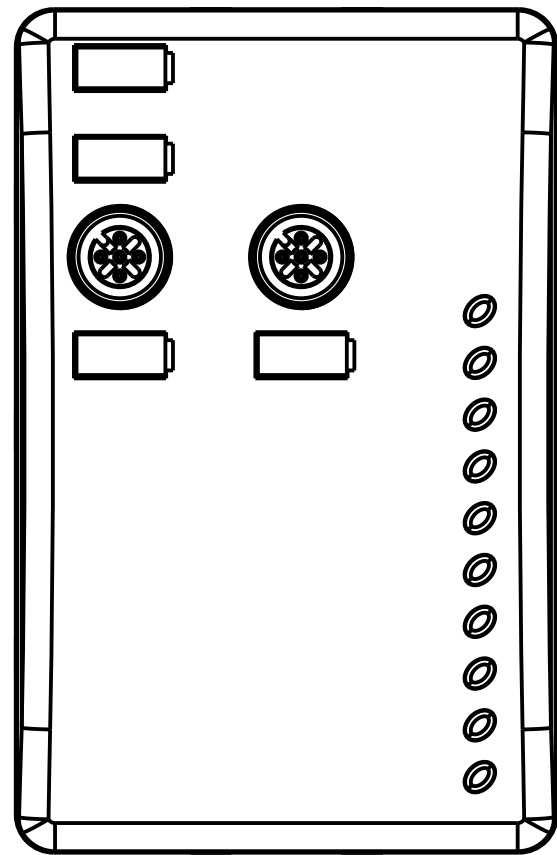


1 2 3 4 5 6 7 8

A  
B  
C  
D  
E  
F  
G  
H



07	1738-OE2VM12	ArmorPoint 2 Point Output Module
06	1738-OE2CM12	ArmorPoint 2 Point Output Module
05	1738-OB2EPM12	ArmorPoint 2 Point Output Module
04	1738-IE2VM12	ArmorPoint 2 Point Input Module
03	1738-IE2CM12	ArmorPoint 2 Point Input Module
02	1738-IT2IM12	ArmorPoint 2 Point Thermocouple Module
01	1738-IR2M12	ArmorPoint 2 Point RTD Input Module
NO	CATALOG	DESCRIPTION

**Rockwell Automation**

CONFIDENTIAL AND PROPRIETARY INFORMATION. THIS DOCUMENT CONTAINS CONFIDENTIAL AND PROPRIETARY INFORMATION OF ROCKWELL AUTOMATION, INC. AND MAY NOT BE USED, COPIED OR DISCLOSED TO OTHERS, EXCEPT WITH THE AUTHORIZED WRITTEN PERMISSION OF ROCKWELL AUTOMATION, INC.

1738-2M12, ASSEMBLY, DRAWING

Sheet 1 Of 1

Size	Ver
B	00

10000352167

Drawn by: YSUPRIA

Date: MAR-31-2014