



3M™ Fire Barrier Cast-In Device Metal Deck Adaptors

Product Data Sheet

1. Product Description

3M™ Fire Barrier Cast-In Device Metal Deck Adaptors are one-piece plastic body assemblies for use with metallic or non-metallic 3M™ Fire Barrier Cast-In Devices. The adaptors are used in new construction installations involving fluted metal decks with a minimum 2-1/2 in. (63.5 mm) concrete topping. The adaptor is available in sizes to accommodate single or multiple penetrants from 1-1/2 in. up to 6 in. total diameter (38.1 mm to 152.4 mm).



For use with 3M™ Fire Barrier Cast-In Devices in fluted steel pan decks.

Product Features

- Firestop tested for up to 3-hours in accordance with ASTM E 814 (UL 1479)*
- Sizes for use with 2 in., 3 in., 4 in. or 6 in. 3M™ Fire Barrier Cast-In Devices (50.8 mm, 76.2 mm, 101.6 mm or 152.4 mm)
- Easily snaps into place on 3M™ Fire Barrier Cast-In Device—no additional fastening required
- Factory made, helps assure consistent quality
- UL Classified, universally recognized independent test agency
- Red color easily identifiable as fire-rated product

*When used in conjunction with appropriate 3M™ Fire Barrier Cast-In Devices in listed systems.



FIRESTOP DEVICE FOR USE IN THROUGH-PENETRATION FIRESTOP SYSTEMS
SEE UL FIRE RESISTANCE DIRECTORY 90G8



LISTED

FIRESTOP DEVICES 90G8

LISTED



Intertek

FIRESTOP SYSTEMS
SEE INTERTEK DIRECTORY

2. Applications

The 3M™ Fire Barrier Cast-In Device Metal Deck Adaptor is used in conjunction both metallic and non-metallic 3M™ Fire Barrier Cast-In Devices on fluted steel pan decks with a minimum 2-1/2 in. (63.5 mm) concrete topping. 3M™ Fire Barrier Cast-In Device Metal Deck Adaptor may be used for most 3M™ Fire Barrier Cast-In Device applications. Consult 3M™ Fire Barrier Cast-In Device Metal Deck Adaptor Installation Guide (supplied with each device) and listed system details for exact type of penetrants covered and hourly ratings.

3. Specifications

Installation shall be in strict accordance with manufacturer's written instructions, as shown on approved shop drawings. When properly installed, these through-penetration firestops help resist the spread of fire, smoke and other gases and help maintain the original fire resistance rating of the construction assembly that has been penetrated. 3M™ Fire Barrier Cast-In Device Metal Deck Adaptor shall be used in conjunction with 3M™ Fire Barrier Cast-In Devices. 3M™ Fire Barrier Cast-In Metal Deck Adaptor shall be listed by independent test agencies such as UL, Intertek, or FM and shall be tested under the pass/fail requirements of ASTM E 814 (UL 1479) Standard Test Method for Fire Tests of Penetration Firestop Systems. Suitability for the intended application should be determined prior to installation.

Typically Specified Division

Division 7
Section 07 84 00 – Firestopping
Section 07 84 13 – Penetration Firestopping

Related Sections

Section 22 00 00 – Plumbing
Section 26 00 00 – Electrical



4. Typical Physical Properties

Color: Red

Body Material: Linear low-density polyethylene (LLDPE)

5. Packaging, Storage, Shelf Life

Packaging Product packaged 12/case in corrugated cardboard container.

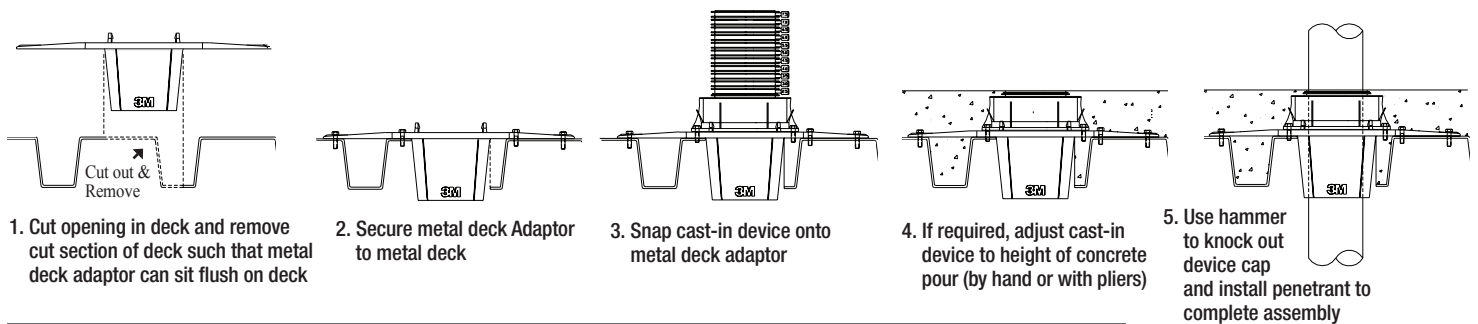
Storage The 3M™ Fire Barrier Cast-In Device Metal Deck Adaptor should be stored in dry conditions.

Shelf Life Product shelf life is indefinite when stored in original unopened packaging in a dry warehouse environment.

6. Installation Techniques

Consult a 3M Authorized Fire Protection Products Distributor / Dealer or Sales Representative for Applicable UL drawings and system details. Refer to 3M Fire Barrier Cast-In Device Metal Deck Adaptor Installation Guide (supplied with each product for exact size of penetrants covered and size of allowable metal deck openings).

Typical Installation See illustrations. Installation requires reciprocating saw, oxyacetylene torch or similar device to cut deck section, bugle head or pan head screws and phillips-style screwdriver to secure adaptor to deck, pliers (optional) to adjust device height to depth of concrete pour and hammer to knock out device cap prior to sliding penetrant through the device.



7. Maintenance

No maintenance should be required when installed in accordance with 3M™ Fire Barrier Cast-In Device Metal Deck Adaptor Installation Guide and in conjunction with listed system details.

8. Availability

3M™ Fire Barrier Cast-In Device Metal Deck Adaptors are available from 3M Authorized Fire Protection Products Distributors and Dealers. 3M™ Fire Barrier Cast-In Metal Deck Adaptors come 12/case with sizes available for use with 2 in., 3 in., 4 in. or 6 in. metallic or non-metallic 3M™ Fire Barrier Cast-In Devices (50.8 mm, 76.2 mm, 101.6 mm and 152.4 mm). For additional technical and purchasing information regarding this and other 3M Fire Protection Products, please call: 1-800-328-1687 or visit www.3m.com/firestop.

9. Safe Handling Information

Consult product's Material Safety Data Sheet (MSDS) prior to handling and disposal. Consult Material Safety Data Sheet (MSDS) of any 3M™ Fire Barrier Cast-In Device used in conjunction with this product.

Important Notice to User:

Technical Information: The technical information, recommendations and other statements contained in this document are based upon tests or experience that 3M believes are reliable, but the accuracy or completeness of such information is not guaranteed.

Product Use: Many factors beyond 3M's control and uniquely within user's knowledge and control can affect the use and performance of a 3M product in a particular application. Given the variety of factors that can affect the use and performance of a 3M product, user is solely responsible for evaluating the 3M product and determining whether it is fit for a particular purpose and suitable for user's method of application.

Warranty and Limited Remedy: 3M warrants that each 3M Fire Protection Product will be free from defects in material and manufacture for 90 days from the date of purchase from 3M's authorized distributor. 3M MAKES NO OTHER EXPRESS OR IMPLIED WARRANTIES, INCLUDING ANY IMPLIED WARRANTY OF MERCHANTABILITY OR FITNESS FOR A PARTICULAR PURPOSE. If a 3M product does not conform to this warranty, the sole and exclusive remedy is, at 3M's option, replacement of the 3M product or refund of the purchase price.

Limitation of Liability: Except where prohibited by law, 3M will not be liable for any loss or damage arising from the 3M product, whether direct, indirect, special, incidental or consequential, regardless of the legal theory asserted.



Building and Commercial Services Division

3M Center, Building 223-2N-21
St. Paul, MN 55144-1000 USA
1-800-328-1687
www.3m.com/firestop

Please Recycle. Printed in USA.
© 3M 2010. All Rights Reserved.
Reference Code:

3M is a trademark of 3M Company.
All other trademarks are the property of their respective owners.