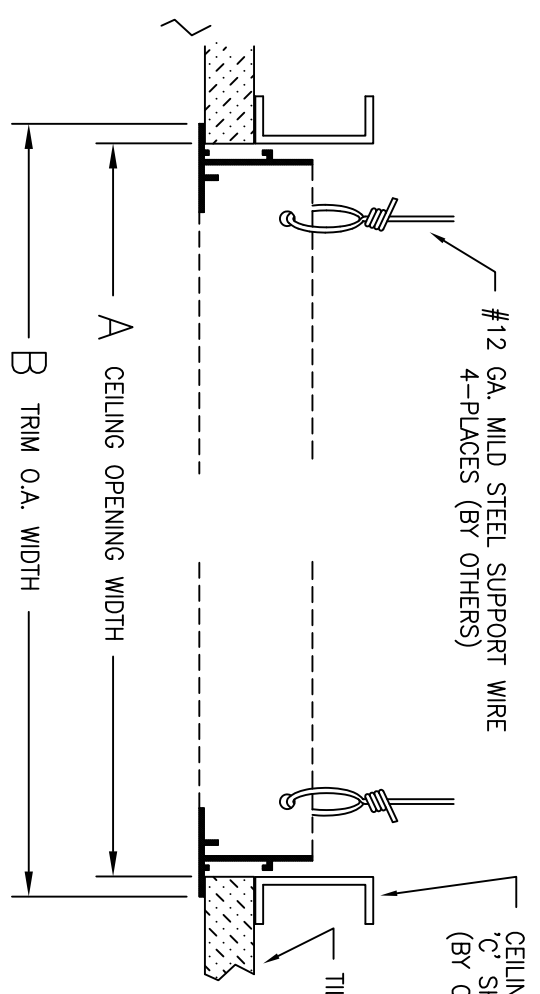
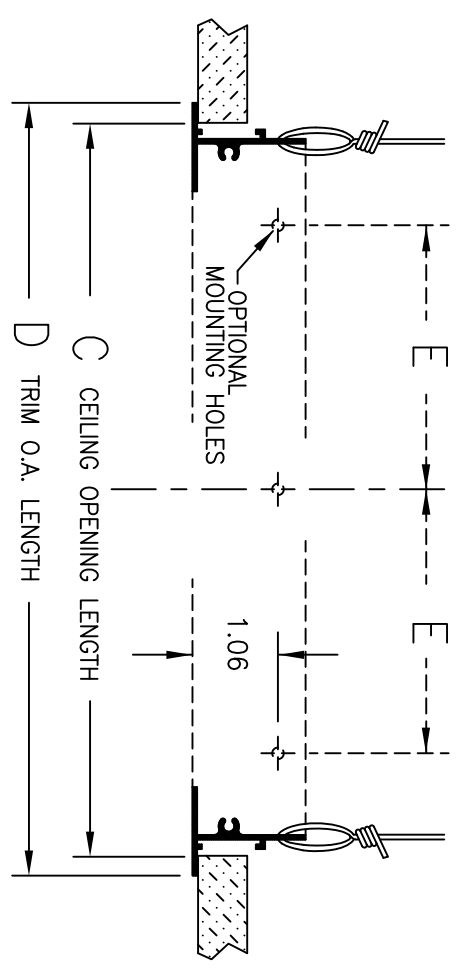


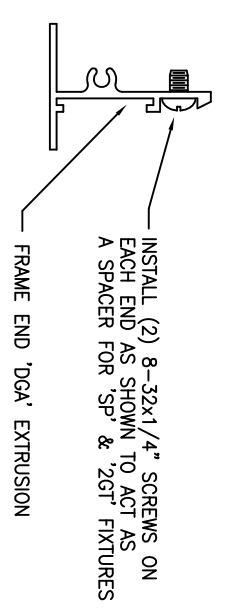
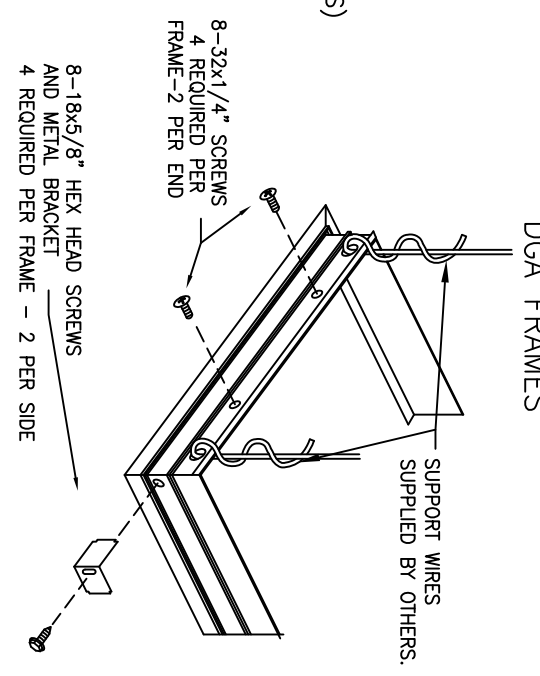
### ASSEMBLY INSTRUCTIONS DGA FRAMES



### CROSS SECTION



### LONGITUDINAL SECTION



TOLERANCE ON CEILING OPENING = + 1/8" - 0"

NOMENCLATURE	FIXTURE SIZE NOMINAL	WIDTH		LENGTH		E
		A	B	C	D	
DGA12	1 X 2	12-3/4"	13-3/8"	24-3/4"	25-3/8"	9"
DGA14	1 X 4	12-3/4"	13-3/8"	48-3/4"	49-3/8"	21"
DGA22	2 X 2	24-3/4"	25-3/8"	24-3/4"	25-3/8"	9"
DGA24	2 X 4	24-3/4"	25-3/8"	48-3/4"	49-3/8"	21"
DGA44	4 X 4	48-3/4"	49-3/8"	48-3/4"	49-3/8"	21"
DGA64	6" X 4	6-3/4"	7-3/8"	48-3/4"	49-3/8"	21"
DGA204	20" X 4	20-3/4"	21-3/8"	48-3/4"	49-3/8"	21"
DGA13	1 X 3	12-3/4"	13-3/8"	36-3/4"	37-3/8"	15"