

## FEATURES & SPECIFICATIONS

### CONSTRUCTION

Designed to easily convert recessed grid troffers or panels to recess drywall mounted fixtures.

Available in various sizes, see table below for fit compatibility chart.

Mounts to a variety of ceiling types.

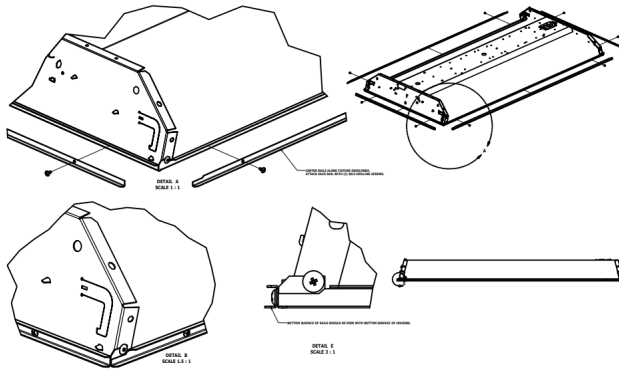
**WARRANTY** — 5-year limited warranty. This is the only warranty provided and no other statements in this specification sheet create any warranty of any kind. All other express and implied warranties are disclaimed. Complete warranty terms located at: <https://www.acuitybrands.com/-/media/abl/acuitybrands/files/support/warranty/abl-non-led-commercial-fixture-limited-warranty.pdf>

**Note:** Actual performance may differ as a result of end-user environment and application. Specifications subject to change without notice.

Catalog Number
Notes
Type

Surface Mount Troffer Kit

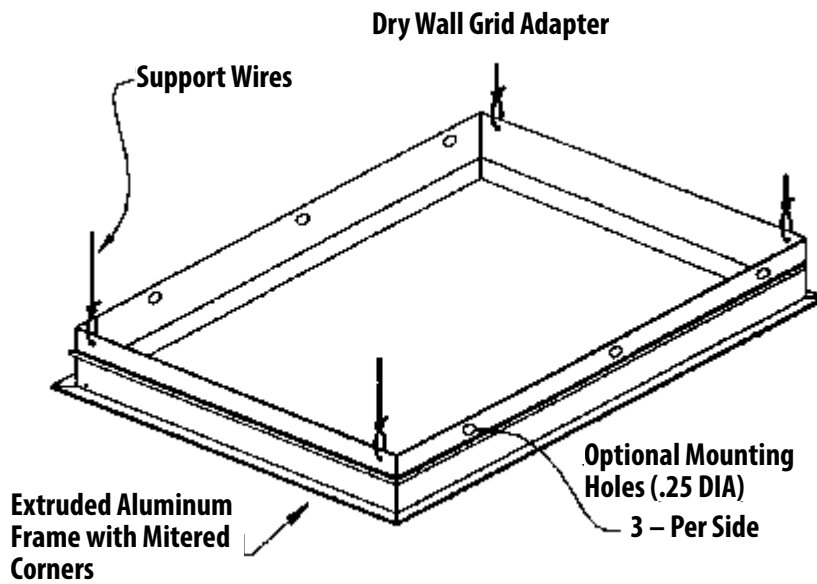
# DGA Drywall Grid Adapter Kits



### ORDERING INFORMATION

CI Codes	Kit	Description
*101662	DGA12	Drywall Grid Adapter - For use with any 1' x 2' Grid Troffer (Over All Trim 13 3/8" x 25 3/8")
*497791	DGA14	Drywall Grid Adapter - For use with any 1' x 4' Grid Troffer (Over All Trim 13 3/8" x 49 3/8")
*497790	DGA22	Drywall Grid Adapter - For use with any 2' x 2' Grid Troffer (Over All Trim 25 3/8" x 25 3/8")
*484328	DGA24	Drywall Grid Adapter - For use with any 2' x 4' Grid Troffer (Over All Trim 25 3/8" x 49 3/8")
*354886	DGA44	Drywall Grid Adapter - For use with any 4' x 4' Grid Troffer (Over All Trim 49 3/8" x 49 3/8")
*755269	DGA64	Drywall Grid Adapter - For use with any 6' x 4' Grid Troffer (Over All Trim 7 3/8" x 49 3/8")
*28298P	DGA062	Drywall Grid Adapter - For use with LSIX 2ft Grid troffer (Overall Trim 7 3/8" X 25 3/8")
*282X75	DGA064	Drywall Grid Adapter - For use with LSIX 4ft Grid troffer (Overall Trim 7 3/8" X 49 3/8")
*28298S	DGA068	Drywall Grid Adapter - For use with LSIX 8ft Grid troffer (Overall Trim 7 3/8" X 97 3/8")

## SURFACE MOUNT KIT - MOUNTING DATA



Installing a **DGA** in a drywall ceiling will provide a frame (grid) onto which you can lay-in any NEMA Type "G" troffer. This allows easier access to the plenum than when using flange trims with swing gate hangers.

DGAs have a wider trim than the flange trim because the flange both covers the cut edge of the drywall and supports the weight of the fixture. Tie wires (by others) support the DGA. Flange kits and flange trim kit are not required when a fixture is installed into a **DGA**.