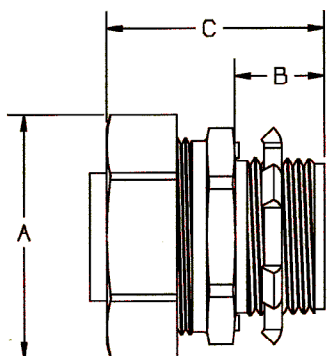
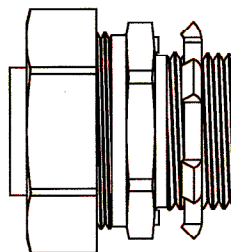


M-9876 1



STRAIGHT INSULATED
STEEL/MALLEABLE IRON



STRAIGHT UNINSULATED
STEEL/MALLEABLE IRON

INSULATED FITTING CAT. NO. *	UNINSULATED FITTING CAT. NO. *	CONDUIT SIZE	A INCHES ±.015 [mm ±0.4]	B INCHES ±.015 [mm ±0.4]	THREAD SIZE	C INCHES ±.015 [mm ±0.4]
H0381	H038	3/8"	1.062 [26.988]	.594 [15.081]	1/2"-14 NPT	1.437 [36.513]
H0501	H050	1/2"	1.188 [30.163]	.594 [15.081]	1/2"-14 NPT	1.437 [36.513]
H0751	H075	3/4"	1.453 [36.909]	.594 [15.081]	3/4"-14 NPT	1.562 [39.688]
H1001	H100	1"	1.719 [43.656]	.656 [16.669]	1"-11-1/2 NPT	1.687 [42.863]
H1251	H125	1-1/4"	2.187 [55.563]	.625 [15.875]	1-1/4"-11-1/2 NPT	2.031 [51.594]
H1501	H150	1-1/2"	2.500 [63.500]	.625 [15.875]	1-1/2"-11-1/2 NPT	2.219 [56.356]
H2001	H200	2"	3.000 [76.200]	.656 [16.669]	2"-11-1/2 NPT	2.281 [57.944]
H2501	H250	2-1/2"	3.625 [92.075]	1.000 [25.400]	2-1/2"-8 NPT	3.500 [88.900]
H3001	H300	3"	4.312 [109.538]	1.000 [25.400]	3"-8 NPT	3.750 [95.250]
H3501	H350	3-1/2"	4.812 [122.238]	1.000 [25.400]	3-1/2"-8 NPT	3.750 [95.250]
H4001	H400	4"	5.312 [134.938]	1.000 [25.400]	4"-8 NPT	3.750 [95.250]

* FOR USE WITH FLEXIBLE METALLIC & NONMETALLIC LIQUID-TIGHT CONDUIT

A = NUT FLATS
B = THREAD LENGTH & THREAD SPEC.
C = OVERALL LENGTH

CODE 74545

LIST OF PARTS

DESCRIPTION	MATERIAL	FINISH
BODY 3/8"-1" T.S.	STEEL	ZINC PLATE
BODY 1-1/4"-4" T.S.	IRON	ZINC PLATE
COMPRESSION NUT:		
3/8"-1" T.S.	STEEL	ZINC PLATE
1-1/4"-4" T.S.	IRON	ZINC PLATE
FERRULE	STEEL	ZINC PLATE
SPLIT SEAL RING	NYLON	YELLOW
SEALING WASHER	NYLON	YELLOW
INSULATOR	NYLON	YELLOW
LOCKNUT	STEEL	ZINC PLATE

DIMENSION SHEET FOR CAT. NO. M-9876
 SEE TABLE
 REPAIRABLE
 NON-REPAIRABLE
 B
 M-9876
 1

1	RELEASED PER DCN 12599 RCM	CJC	10/18/05
SYM	REVISIONS	APP	DATE

THE DESIGN AND DIMENSIONS OF THE PRODUCT SHOWN ON THIS DRAWING ARE SUBJECT TO CHANGE WITHOUT NOTICE

TITLE
STRAIGHT FLEXIBLE METALLIC CONDUIT FITTINGS

TOLERANCES UNLESS OTHERWISE SPECIFIED FRACTIONS ± 1/64 DECIMALS ± .005 ANGLES ± 2°	WIRING DEVICE-KELLEMS HUBBELL INCORPORATED BRIDGEPORT, CT	
	DR. BY RCM	APP'D BY CJC
	TR. BY	SCALE NONE
	CHK'D BY CJC	DATE 10/18/05