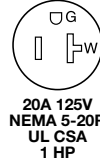


Industrial Grade Extra Heavy Duty Ground Fault Receptacle Autoguard Self-Test GFCI 20A, Hospital Grade Tamper-Resistant, Weather-Resistant

HUBBELL

Features

- Heavy duty robust construction, high impact resistant polyester housing
- Corrosion Resistant: nickel-plated face contacts, mounting strap, line/load terminals and terminal clamps, stainless steel screws
- Patented auto monitor, power denial technology



Ordering Information

Description	Color	UPC Number	Catalog Number
20A, 125V, Style Line, AUTOGUARD self test GFCI receptacle, hospital grade, tamper-resistant and weather-resistant, flush face, back and side wired	White	783585581149	GF8300SGW

Listings

UL Listed - Canadian and U.S. Meets ADA Standard Meets are NEC requirements	CSA Certified Fed Spec NEMA WD-6 Complaint
---	--

Specifications

Face	Natural (white) nylon	Ground Contacts	Nickel Plated Brass
Base	Clear polycarbonate	Mounting Strap	Nickel Plated Brass
Power Contacts	Nickel Plated Brass	Mounting Screw	Stainless Steel

Performance

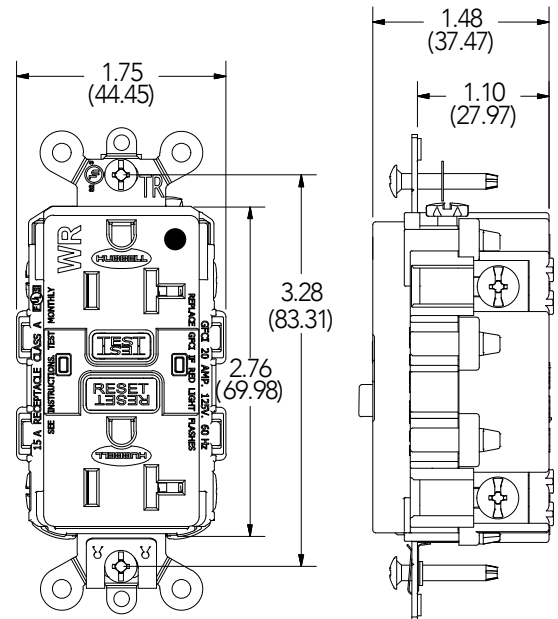
Electrical			
Amperage	20A	Flammability	V0 per UL 94
Feed-through	20 Amp Protection	Operating Temp	-35 C to 66 C
Voltage	120V AC (-15%, +10%)	Trip Level	4 mA to 6mA (0.025 sec)
Frequency	60 Hz	Short Circuit	10,000 Amps
Dielectric	Withstand 1,500V		

Construction

Termination	Back and Side	Power Indicator	Solid Green
Terminal	#14 to #10AWG	GF/Trip Indicator	Solid Red
Grounding	Autoground Clip	End of Life	Flashing Red
Printed Circuit Board	Conformal Coat		

Certifications

UL Listing	E41978 Fed Spec.	NEC/CEC	TR, WR Resistant
UL Std 498	Receptacle	CSA Listing	LR24886
UL Std 943	GFCI	CSA Std	C22.2 No. 42
UL Std 943	Dust Protection	CSA Tech	No. M-02A
UL 943	Corrosion Resistance		



Accessories

Description
(1) Matching Nylon and
(1) Stainless Wall Plate Included

Links

Customer Drawings
Instruction Installations
Media