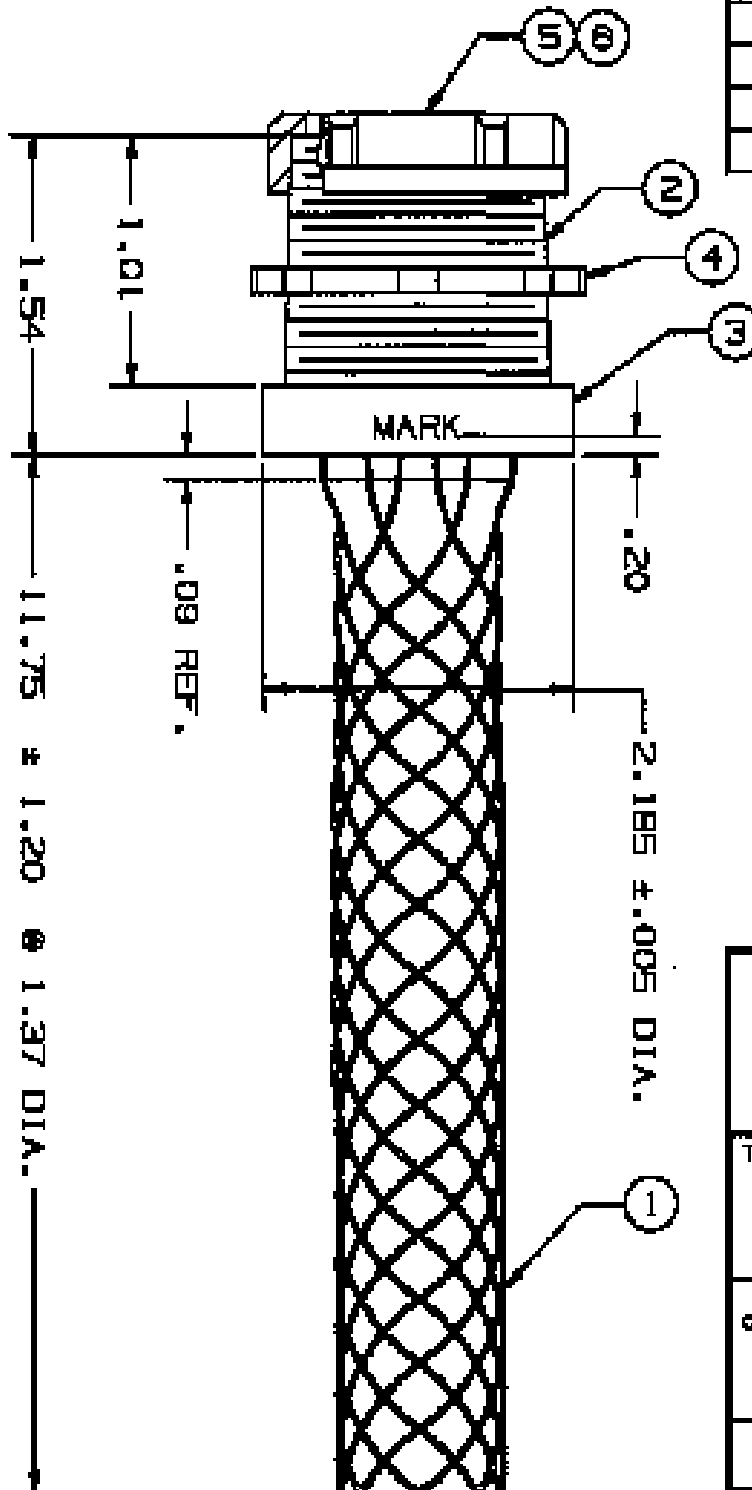


COMPONENT LIST

ITEM NO.	DESCRIPTION	MAT'L	COMPONENT NO.	QTY.
1	STRAND	G.STL	373-01-007	-
2	NIPPLE	AL	341-57-005	1
3	SLEEVE	AL	341-44-149	1
4	LOCK-NUT	STL	003-22-005	1
5	SEAL	FFRFR	325-61-015	1
6	BUSHING	PLAS	005-18-005	1



IN ACCEPTING OUR DRAWINGS OR BLUEPRINTS FOR QUOTATION OR OTHER PURPOSES, YOU AGREE NOT TO DISCLOSE TO OTHERS THE IDEAS, INFORMATION, OR DESIGNS THEREIN SHOWN, AND THAT YOU WILL MAKE NO USE OF OUR DRAWINGS OR BLUEPRINTS OR OF THE IDEAS, INFORMATION, OR DESIGNS THEREIN SHOWN WITHOUT OUR PERMISSION.

TITLE GRIP, GALV. STL./AL, STRAIN RELIEF, SINGLE WEAVE, 1/2 NPT, DUST SEAL & INSULATING BUSHING. DIA. RA. 1.25-1.50
DESCR. SRP-120, APPROX. BRK. STR. 3000* ±20%

TOLERANCES UNLESS OTHERWISE SPECIFIED .K ± .005 .JK ± .002 .JJK ± .015 ANGLE TOL. ± 2°	HUBBELL INCORPORATED KELLUM DIVISION STONINGTON, CT
PROJECT NO.	DR. BY FBR APP. BY WLF TR. BY SCALE N/A CHK. BY KA DATE 11-23-83

DR. NO. <h2 style="text-align: center;">073-03-1212</h2>	REV. <h2 style="text-align: center;">6</h2>
---	--