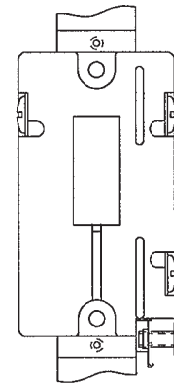
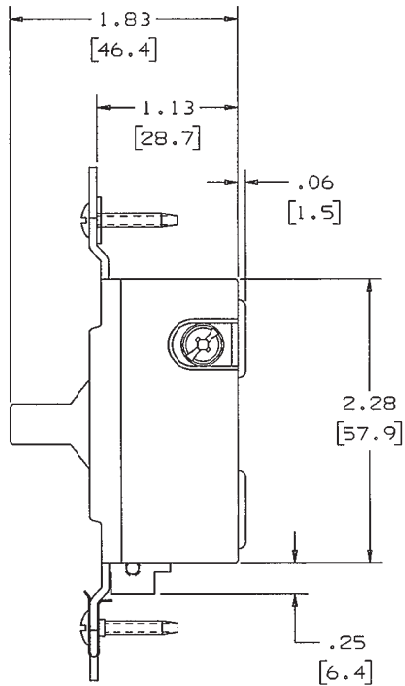
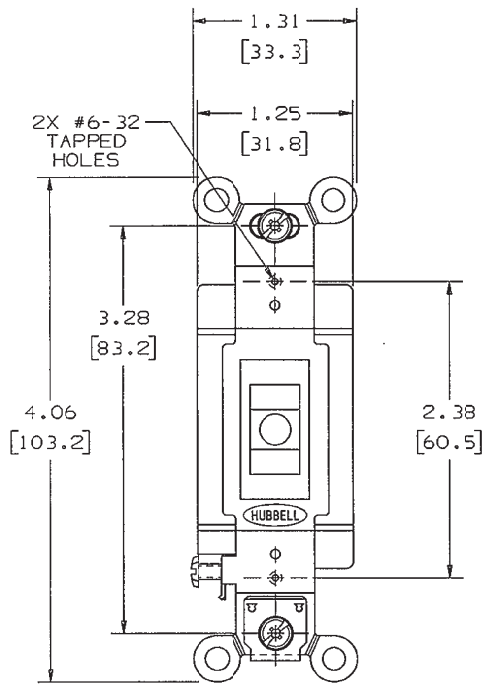


M-7163 4



CATALOG NO.	TOGGLE COLOR	AMPERAGE/VOLTAGE RATING
HBL 1556	BROWN	15A 120-277VAC
HBL 1556GY	GRAY	15A 120-277VAC
HBL 1556I	IVORY	15A 120-277VAC
HBL 1556R	RED	15A 120-277VAC
HBL 1556LA	LT ALMOND	15A 120-277VAC
HBL 1556W	WHITE	15A 120-277VAC
HBL 1557	BROWN	20A 120-277VAC
HBL 1557GY	GRAY	20A 120-277VAC
HBL 1557I	IVORY	20A 120-277VAC
HBL 1557W	WHITE	20A 120-277VAC
HBL 1557LA	LT ALMOND	20A 120-277VAC

NOTES: (UNLESS OTHERWISE SPECIFIED)

- 1) DIMENSIONS ARE: INCHES [MM]
- 2) XX TOLERANCE TO BE ±.03 [0.76]

LIST OF PARTS		
DESCRIPTION	MATERIAL	FINISH
HOUSING	UREA	
COVER	UREA	
TOGGLE	NYLON	
STATIONARY TERMINAL	.031 BRASS	
SPRING ARM TERMINAL	.031 BRASS	
WIRE CLAMP	.062 STEEL	TIN PLATE
BRIDGE	.050 STEEL	NICKEL PLATE
CONTACTS	SILVER/CADMIUM OXIDE	
BINDING SCREWS	BRASS	
MOUNTING SCREWS	STEEL	ZINC PLATE

NO.	DESCRIPTION	APP.	DATE
4	ADDED CAT #'S HBL1556V TO TABLE PER DCN 18644. MYA	DJP	2/27/12
3	ADDED CAT #'S HBL1556LA AND HBL1557LA TO TABLE PER DCN 17763 MYA	DJP	6/15/11
2	ADDED NOTES 1 & 2 AND DUAL DIMENSIONING. ADDED CAT. NO. HBL1556R TO TABLE. DECIMAL DIMENSIONS WERE FRACTIONAL; TRI-DRIVE SCREWS WERE SLOTTED PER DCN #13355. JMN	DJP	12/5/06
1	"X" REMOVED; LAST X-REVISION WAS X-0 PER DCN # 2123. JMN	CJC	8/30/93

SYN	REVISIONS	APP	DATE

THE DESIGN AND DIMENSIONS OF THE PRODUCT SHOWN ON THIS DRAWING ARE SUBJECT TO CHANGE WITHOUT NOTICE

TITLE
FLUSH A.C. TOGGLE SWITCH
SINGLE POLE DOUBLE THROW
CENTER OFF MOMENTARY

TOLERANCES UNLESS OTHERWISE SPECIFIED	WIRING DEVICE-KELLEMS HUBBELL INCORPORATED BRIDGEPORT, CT	
FRACTIONS 1/64	DR. BY JMN	APP. BY CJC
DECIMALS ±.005	TR. BY	SCALE
ANGLES ±2°	CHK'D BY DJP	DATE 8/30/93