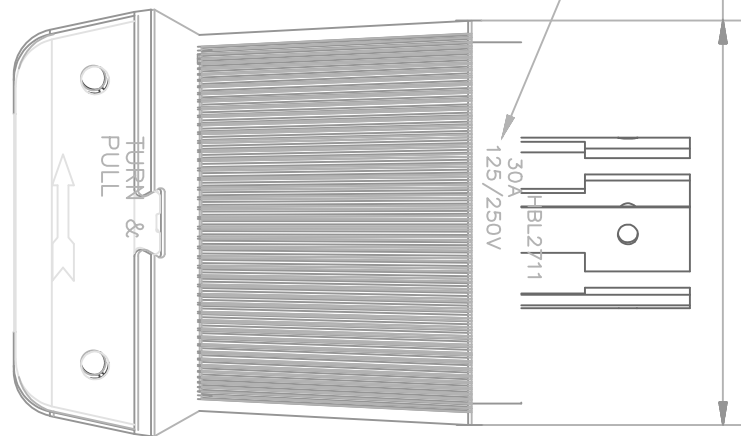


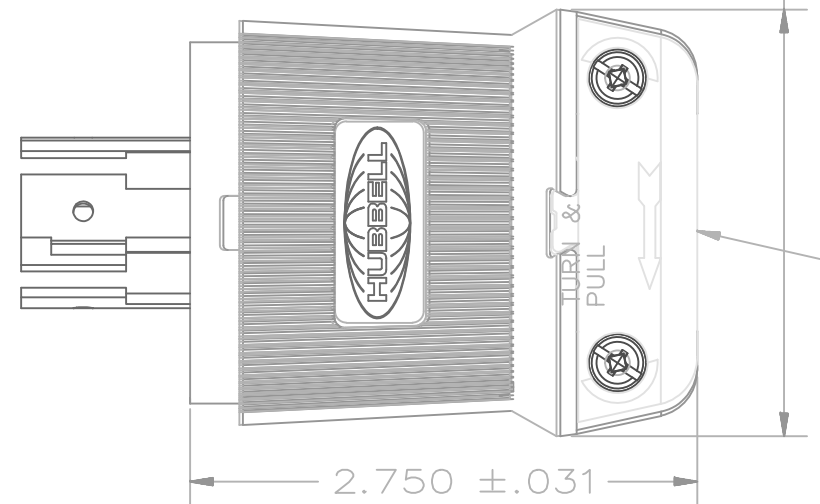
CAT NO. & RATING PRINTED ON BLADE HOLDER, COLOR CODE BY VOLTAGE



M-7900 8



∅ 2.330 ±.015 [59.18 ±.38]



CORD CLAMP RANGE

∅.35-1.15 [9.14-29.21]

NEMA NO.	RATING	POLE/WIRE	CAT NO.	CORROSION RESISTANT <input type="checkbox"/>	VOLTAGE COLOR CODE	UL	CSA	FED SPEC	CONFIGURATION
L14-30P	125/250V	3P/4W GROUNDING	HBL2711 HBL2711BK <input type="checkbox"/>	HBL27CM11	ORANGE	YES	YES	YES	
L15-30P	3∅250 VAC	3P/4W GROUNDING	HBL2721	HBL27CM21	BLUE	YES	YES	YES	
L16-30P	3∅480 VAC	3P/4W GROUNDING	HBL2731	HBL27CM31	RED	YES	YES	YES	
L17-30P	3∅ 600 VAC	3P/4W GROUNDING	HBL2741	HBL27CM41	BLACK	YES	YES	YES	
L18-30P	3∅Y 120/208VAC	4P/4W NON-GROUNDING	HBL2751	-----	BLUE	YES	NO	YES	
L19-30P	3∅Y 277/480VAC	4P/4W NON-GROUNDING	HBL2761	-----	RED	YES	NO	YES	
L20-30P	3∅Y 347/600VAC	4P/4W NON-GROUNDING	HBL2771	-----	BLACK	YES	YES	YES	
L21-30P	3∅Y 120/208VAC	4P/5W GROUNDING	HBL2811 HBL2811BK <input type="checkbox"/>	HBL28CM11	BLUE	YES	NO	YES	
L22-30P	3∅Y 277/480VAC	4P/5W GROUNDING	HBL2821	-----	RED	YES	YES	YES	
L23-30P	3∅Y 347/600VAC	4P/5W GROUNDING	HBL2831	-----	BLACK	YES	YES	YES	
L26-30P	3∅Y 240/415VAC	4P/5W GROUNDING	HBL2801	-----	RED	YES	YES	YES	

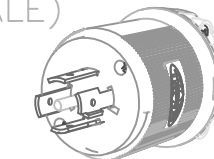
- WHITE FINISH ON NEUTRAL CONTACT WHEN USED.
- CM DEVICES SAME AS ABOVE EXCEPT: COVER & CORD CLAMP YELLOW TERMINAL SCREWS & CONTACT-NICKEL PLATED. WIRE CLAMPS - BRASS, NICKEL PLATE. ASSEM FASTENERS - STAINLESS STEEL.
- BK DEVICES ARE SAME AS ABOVE EXCEPT ALL BLACK.

NOTES: 1. ALL SCREWS ARE COMBINATION PHILLIPS/SLOTTED/ROBERTSON HEAD.
2. REMOVED THIS NOTE.
3. DIMENSIONS ARE IN INCHES [mm].

LIST OF PARTS

DESCRIPTION	MATERIAL	FINISH
COVER	NYLON	BLACK
CORD CLAMP	NYLON	NATURAL
BLADE HOLDER	NYLON	NATURAL
RETAINER	POLY	CLEAR
BLADE	CARBONATE	
	.070	
CENTER GROUND BLADE & TERM LUG (5 WIRE)	BRASS	
WIRE CLAMP	BRASS	NICKEL PLATE
	.080	
#10 TERMINAL SCREWS	CRS	PLATE
#10 GROUND SCREW	BRASS	A
ASSEMBLY FASTENERS	STEEL	ZINC PLATE
DUST SHIELD	TPE	BLACK

CATALOG NO. HBL2811 (NOT SHOWN TO SCALE)



SYMBOL	REVISIONS	APP	DATE
8	ADDED L26-30 TO TABLE PER DCN 22357 JZW	TLS	8/26/16
7	REDRAWN WITH EMBEDDED CAD MODEL WITH NO CHANGES TO PART GEOMETRY. PER DCN 21895 SPN	DJP	02/05/16
6	TABLE ADDED CONFIGURATION COLUMN. PER DCN 21792 SPN	DJP	11/25/15
5	ADDED DUST SHIELD TO LIST OF PARTS PER DCN 15675 SPN	DJP	4/22/09
4	ADDED TOLERANCES TO DIMS. TABLE, ADDED UL, CSA AND FED SPEC COLUMNS. ADDED CAT. NO'S HBL2711BK AND HBL2811BK. ADDED NOTE C. PER DCN 11276 SPN	CAC	11/20/03

THE DESIGN AND DIMENSIONS OF THE PRODUCT SHOWN ON THIS DRAWING ARE SUBJECT TO CHANGE WITHOUT NOTICE

TITLE 30A 4 & 5-WIRE TWIST-LOCK PLUG

TOLERANCES UNLESS OTHERWISE SPECIFIED	WIRING DEVICE-KELLEMS HUBBELL INCORPORATED SHELTON, CT	
.XX = ±.01	DR. BY B.C.	APP. BY DJP
.XXX = ±.005	TR. BY	SCALE NONE
ANGLES = ±2'	CHK'D BY DJP	DATE 03/02/98

DIMENSION SHEET FOR CAT. NO. M-7900
 REPAIRABLE
 NON-REPAIRABLE
 B
 M-7900
 8