

CAT. #	SIZE	A	B	C	D	E	F	G	H	J	K	L	M
2902RT	1/2" EMT	1.56 [39.6]	1.03 [26.2]	1.05 [26.7]	1.21 [30.7]	1.12 [28.4]	0.72 [18.3]	0.7 [17.8]	0.95 [24.1]	0.63 [16]	0.64 [16.3]	1/2"-14 NPSM	1/2-14 UNS
2903RT	3/4" EMT	1.71 [43.4]	1.28 [32.5]	1.26 [32]	1.39 [35.3]	1.35 [34.3]	0.95 [24.1]	0.93 [23.6]	1.17 [29.7]	0.82 [20.8]	0.87 [22.1]	3/4"-14 NPSM	3/4-14 UNS
2904RT	1" EMT	1.8 [45.7]	1.57 [39.9]	1.56 [39.6]	1.7 [43.2]	1.65 [41.9]	1.18 [30]	1.84 [46.7]	1.43 [36.3]	1.11 [28.2]	1.12 [28.4]	1" - 11 1/2 NPSM	1" - 14 UNS
2905RT	1-1/4" EMT	2.08 [52.8]	1.96 [49.8]	1.91 [48.5]	2.03 [51.6]	2.04 [51.8]	1.38 [35.1]	1.55 [39.4]	1.85 [47]	1.38 [35.1]	1.42 [36.1]	1 1/4" - 11 1/2 NPSM	1-1/4" - 14 UNS
2906RT	1-1/2" EMT	2.16 [54.9]	2.23 [56.6]	2.14 [54.4]	2.34 [59.4]	2.31 [58.7]	1.78 [45.2]	1.77 [45]	2.08 [52.8]	1.61 [40.9]	1.65 [41.9]	1 1/2" - 11 1/2 NPSM	1-1/2" - 14 UNS
2908RT	2" EMT	2.4 [61]	2.72 [69.1]	2.613 [66.4]	2.68 [68.1]	2.78 [70.6]	2.2 [55.9]	2.21 [56.1]	2.56 [65]	2.02 [51.3]	2.11 [53.6]	2" - 11 1/2 NPSM	2" - 14 UNS
2940RT	2-1/2" EMT	3.85 [97.8]	3.33 [84.6]	3.44 [87.4]	3.43 [87.1]	3.62 [91.9]	2.75 [69.9]	2.89 [73.4]	3.22 [81.8]	2.51 [63.8]	2.57 [65.3]	2 1/2" - 8 NPSM	2-1/2" - 11-1/2 UNS
2942RT	3" EMT	3.96 [100.6]	4.03 [102.4]	4.07 [103.4]	4.09 [103.9]	4.27 [108.5]	3.48 [88.4]	3.53 [89.7]	3.87 [98.3]	3.12 [79.2]	3.17 [80.5]	3" - 8 NPSM	3" - 11-1/2 UNS
2944RT	3-1/2" EMT	3.827 [97.2]	4.56 [115.8]	4.59 [116.6]	4.49 [114]	4.8 [121.9]	4.04 [102.6]	4.02 [102.1]	4.38 [111.3]	3.6 [91.4]	3.67 [93.2]	3 1/2" - 8 NPSM	3-1/2" - 11-1/2 UNS
2946RT	4" EMT	4.03 [102.4]	5.09 [129.3]	5.07 [128.8]	5 [127]	5.3 [134.6]	4.38 [111.3]	4.52 [114.8]	4.93 [125.2]	4.11 [104.4]	4.15 [105.4]	4" - 8 NPSM	4" - 11-1/2 UNS

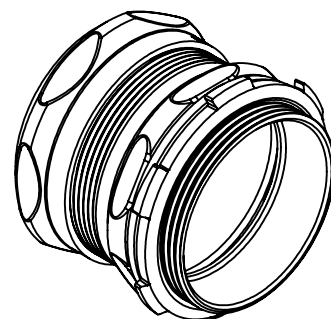
TIGHTENING TORQUE			
TRADE SIZE OF FITTING	METRIC DESIGNATOR	TIGHTENING TORQUE	
		N-m	(lbf-in)
1/4a	10	19.8	175
3/8	12	22.6b	200
1/2	16	33.9	300
3/4	21	56.5	500
1	27	79.1	700
1-1/4	35	113	1000
1-1/2	41	136	1200
2	53	181	1600
2-1/2	63	181	1600
3	78	181	1600
3-1/2	91	181	1600
4	103	181	1600

a APPLIES TO FLEXIBLE CORD FITTINGS ONLY  
b A 3/8 (12) TRADE-SIZE FITTING FOR USE WITH LIQUID-TIGHT FLEXIBLE METAL CONDUIT SHALL BE TIGHTENED WITH A TORQUE OF 26.5 N-M (235 LBF-IN).

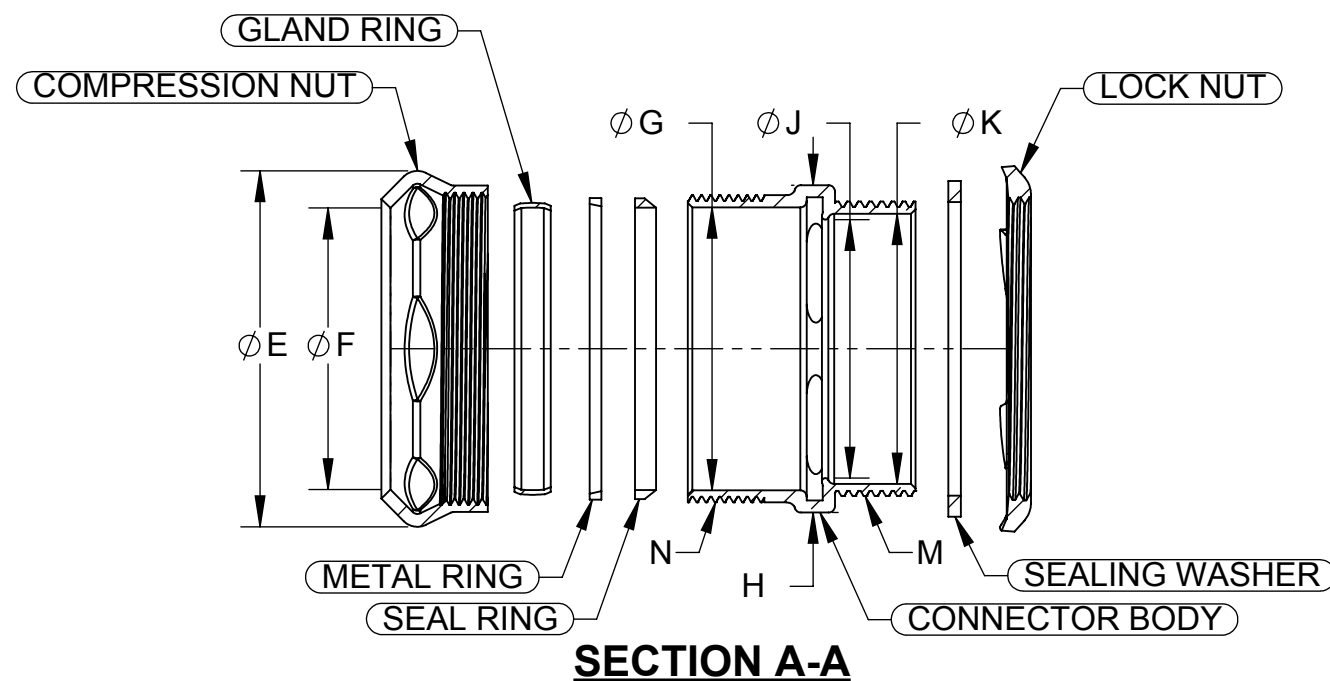
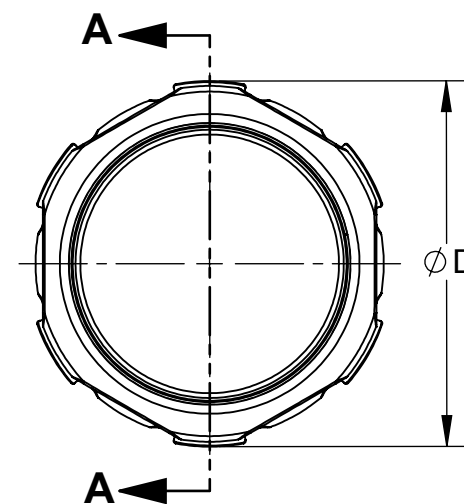
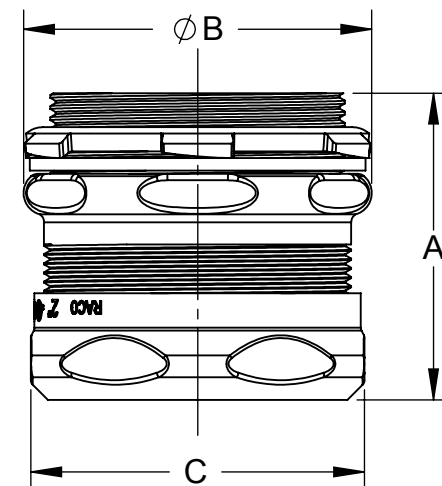
LIST OF PARTS		
DESCRIPTION	MATERIAL	FINISH
CONNECTOR BODY	STEEL	GALVANIZED
COMPRESSION NUT	STEEL	GALVANIZED
LOCK NUT	STEEL	GALVANIZED
GLAND RING	STEEL	GALVANIZED
METAL RING	STEEL	GALVANIZED
SEALING WASHER	NYLON 6/66	YELLOW
SEAL RING	POLY-PROPYLENE	CLEAR

**NOTES:**

1. ALL DIMENSIONS ARE IN INCHES AND [MILLIMETERS].
2. LOCKNUT SHALL BE HAND-TIGHTENED AND THEN FURTHER TIGHTENED 1/4 TURN WITH A HAMMER AND A FLAT BLADED SCREWDRIVER OR BY AN EQUIVALENT METHOD.
3. RAIN TIGHT.
4. cULus LISTED.



**ISOMETRIC VIEW  
SCALE 1 : 2**



INITIAL RELEASE	F.P.	DATE
SYM.	REVISION DESCRIPTION	APP

THE DESIGN AND DIMENSIONS OF THE PRODUCT SHOWN ON THIS DRAWING ARE SUBJECT TO CHANGE WITHOUT NOTICE

TITLE:  
**COMPRESSION CONNECTOR STEEL UN-INSULATED CUS**

TOLERANCE UNLESS OTHERWISE SPECIFIED		<b>RACO</b> South Bend, Indiana	SCALE: <b>2:3</b>
.XX DECIMAL ±.015	DRAWN BY: <b>F.P.</b>		
.XXX DECIMAL ±.005	APP. BY: <b>S.J.</b>		
ANGLE ±2°	DATE: <b>10/04/2016</b>		