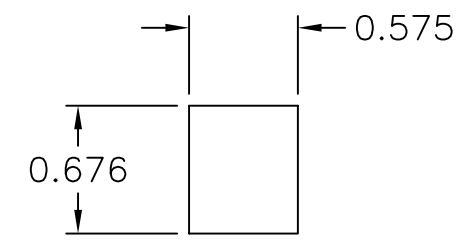
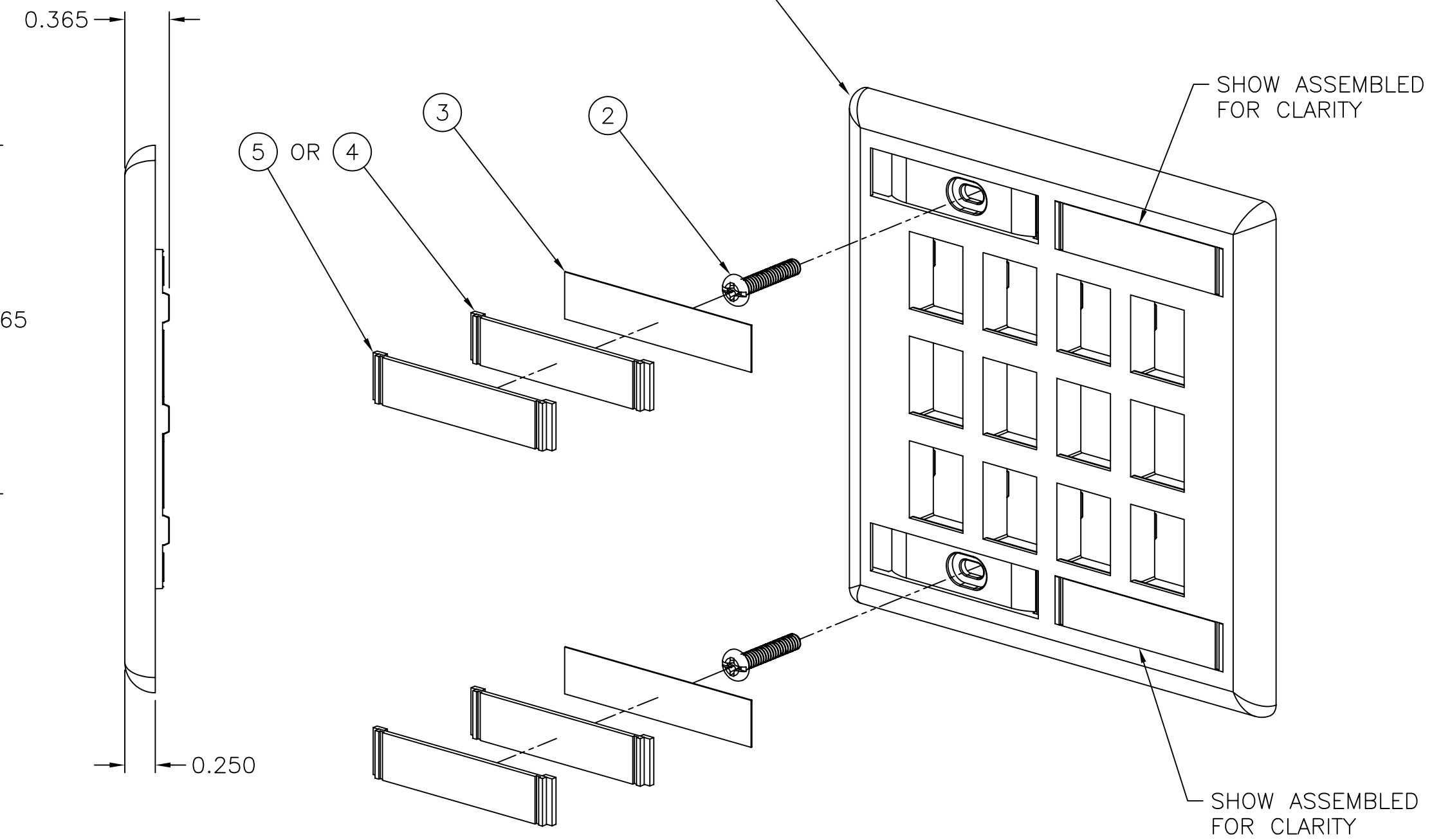
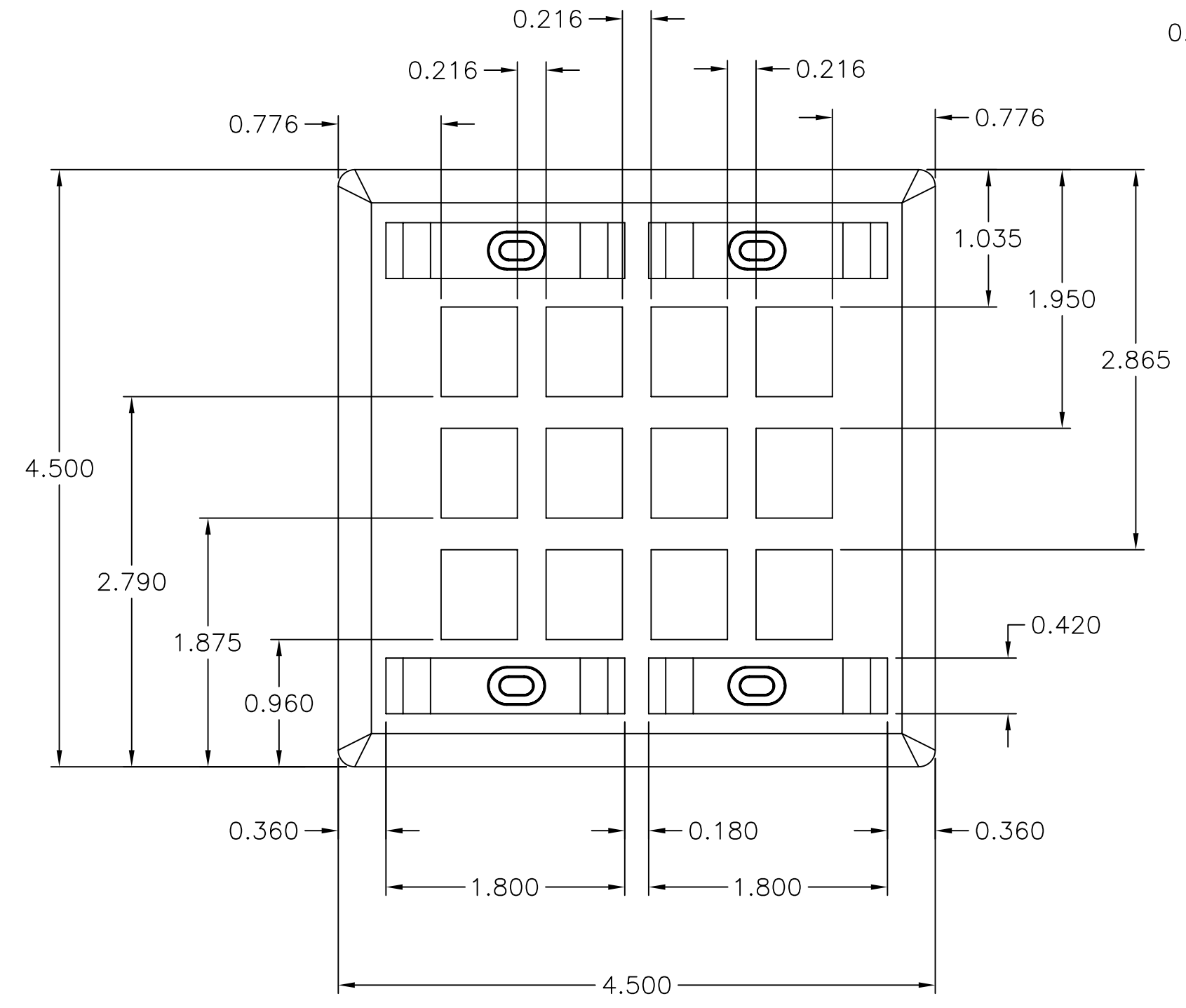


ITEM NO.	DESCRIPTION	QTY.
1	PLATE,FLUSH,12P,W/LABELS	1
2	SCREW,6-32 PAN HD-SPECIAL	4
3	CARD,PAPER,.40X1.92,BLANK	4
4	COVER LABEL,CLEAR	4
5	COVER LABEL,MATCHING COLOR	4

CATALOG NUMBER	COLOR	DESCRIPTION
IFP2120W	OFFICE WHITE	PLATE,FLUSH 12 PORT
IFP212EI	ELECTRIC IVORY	PLATE,FLUSH 12 PORT
IFP212W	WHITE	PLATE,FLUSH 12 PORT
IFP212GY	GRAY	PLATE,FLUSH 12 PORT
IFP212TI	TELCO IVORY	PLATE,FLUSH 12 PORT
IFP212BK	BLACK	PLATE,FLUSH 12 PORT
IFP212LA	LIGHT ALMOND	PLATE,FLUSH 12 PORT

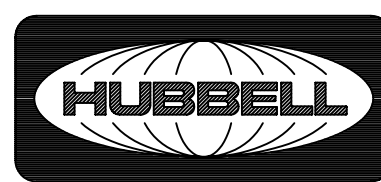


KEYSTONE OPENING



**NOTES**  
UNLESS OTHERWISE SPECIFIED:  
1. SPECIFICATIONS SUBJECT TO CHANGE WITHOUT NOTICE

REV.	ECN	DATE	DESCRIPTION	CHG BY	APPD BY
B	5870	6/8/06	ADDED LIGHT ALMOND CATALOG #	CD	
A	4148	02/22/01	INITIAL RELEASE	PSM	HKM

Created on AUTOCAD	DIMENSIONING AND TOLERANCE PER ANSI Y14.5M-1982 UNLESS OTHERWISE SPECIFIED, DIMENSIONS ARE IN INCHES (MM). TOLERANCES .XX = ±.01 (.25) .XXX = ±.005 (.127) .XXXX = ±.0025 (.0635) ANGLE TOL ±1°		PROJECT REFERENCE:		 Hubbell Premise Wiring HUBBELL INCORPORATED (Delaware) 14 Lord's Hill Road, Stonington, Connecticut 06378
	IN ACCEPTING OUR DRAWINGS, BLUEPRINTS, OR SUPPORTING DOCUMENTATION FOR QUOTATION OR OTHER PURPOSES, YOU AGREE NOT TO DISCLOSE TO OTHERS THE IDEAS, INFORMATION, OR DESIGNS SHOWN HEREIN, AND THAT YOU WILL MAKE NO USE OF SAME WITHOUT PERMISSION		MATERIAL:		
			DRAWN BY: P.S.MAGUIRE 02/22/2001		TITLE: <b>INFINE STATION FACE PLATE FLUSH 12 PORT W/LABEL HOLDERS</b>
			CHECKED BY: H. McGREGOR 02/28/2001		SIZE: <b>C</b> DRAWING NO.: <b>C773087</b> SCALE: <b>FULL</b>
		APPROVED BY: H. McGREGOR 02/28/2001		REV.: <b>B</b> SHEET <b>1</b> OF <b>1</b>	