

CATALOG NUMBER		CONDUCTORS ACCOMMODATED				J REF.	P ±.02	B MIN EFF THD.	CFy ±.02	Wy REF.	H1 ±.03	L1 ±.03	O1 ±.03	CFx ±.02	Wx REF.	H2 ±.03	L2 ±.03	O2 ±.03	NUT TORQUE LBS*IN [N*M]	STUD TORQUE LBS*IN [N*M]
FIG. 1	FIG. 2	AWG.		METRIC WIRE SIZE																
		STRANDED	SOLID	STRANDED	SOLID															
KC15	K2C15	12 (.092 DIA) 9 (.130 DIA)	12 (.081 DIA) 8 (.128 DIA)	[4mm <sup>2</sup> (2.6 DIA)] [6mm <sup>2</sup> (3.2 DIA)]	[4mm <sup>2</sup> (2.3 DIA)] [6mm <sup>2</sup> (2.8 DIA)]	1/4-20 UNC-2A	.14 [3.6]	.37 [9.4] .87 [22.1]	.38 [9.7]	.44 [11.2]	.69 [17.5]	1.19 [30.2] 1.69 [42.9]	.53 [13.5]	.50 [12.7]	.56 [14.2]	.81 [20.6]	1.31 [33.3] 1.81 [46.0]	.66 [16.8]	80 [9.0]	80 [9.0]
KC15B	K2C15B																			
KC17	K2C17	10 (.116 DIA) 7 (.164 DIA)	10 (.102 DIA) 6 (.162 DIA)	[6mm <sup>2</sup> (3.2 DIA)] [10mm <sup>2</sup> (4.1 DIA)]	[6mm <sup>2</sup> (2.8 DIA)] [10mm <sup>2</sup> (3.6 DIA)]	1/4-20 UNC-2A	.17 [4.2]	.37 [9.4] .87 [22.1]	.44 [11.2]	.50 [12.7]	.84 [21.3]	1.34 [34.0] 1.84 [46.7]	.66 [16.8]	.62 [15.7]	.69 [17.5]	1.00 [25.4]	1.50 [38.1] 2.00 [50.8]	.81 [20.6]	80 [9.0]	80 [9.0]
KC17B	K2C17B																			
KC20	K2C20	10 (.116 DIA) 5 (.206 DIA)	10 (.102 DIA) 4 (.204 DIA)	[6mm <sup>2</sup> (3.2 DIA)] [16mm <sup>2</sup> (5.1 DIA)]	----- -----	5/16-18 UNC-2A	.22 [5.5]	.41 [10.4] .85 [21.6]	.50 [12.7]	.58 [14.7]	.86 [21.8]	1.42 [36.1] 1.92 [48.8]	.70 [17.8]	.69 [17.5]	.78 [19.8]	1.06 [26.9]	1.62 [41.1] 2.06 [52.3]	.91 [23.1]	165 [18.6]	180 [20.3]
KC20B1	K2C20B1																			
KC22	K2C22	10 (.116 DIA) 3 (.260 DIA)	10 (.102 DIA) 2 (.258 DIA)	[6mm <sup>2</sup> (3.2 DIA)] [25mm <sup>2</sup> (6.5 DIA)]	----- -----	3/8-16 UNC-2A	.26 [6.7]	.46 [11.7] .96 [24.4]	.62 [15.7]	.72 [18.3]	1.00 [25.4]	1.62 [41.1] 2.12 [53.8]	.81 [20.6]	.75 [19.1]	.84 [21.3]	1.25 [31.8]	1.88 [47.8] 2.38 [60.5]	1.06 [26.9]	275 [31.1]	280 [31.6]
KC22B1	K2C22B1																			
KC23	K2C23	8 (.146 DIA) 2 (.292 DIA)	10 (.102 DIA) 1 (.289 DIA)	[10mm <sup>2</sup> (4.1 DIA)] [35mm <sup>2</sup> (6.5 DIA)]	----- -----	3/8-16 UNC-2A	.32 [8.2]	.46 [11.7] .97 [24.6]	.62 [15.7]	.72 [18.3]	1.05 [26.7]	1.67 [42.4] 2.19 [55.6]	.86 [21.8]	.81 [20.6]	.94 [23.9]	1.34 [34.0]	1.97 [50.0] 2.47 [62.7]	1.16 [29.5]	275 [31.1]	280 [31.6]
KC23B1	K2C23B1																			
KC23-BDT	-	8 (.146 DIA) 2 (.292 DIA)	10 (.102 DIA) 1 (.289 DIA)	[10mm <sup>2</sup> (4.1 DIA)] [35mm <sup>2</sup> (6.5 DIA)]	----- -----	5/16-18 UNC-2A	.32 [8.2]	.44 [11.2]	.62 [15.7]	.72 [18.3]	1.05 [26.7]	1.49 [37.8]	.86 [21.8]	.81 [20.6]	.94 [23.9]	---	---	---	275 [31.1]	180 [20.3]
KC25	K2C25	2 (.292 DIA) 1/0 (.373 DIA)	2 (.258 DIA) 2/0 (.365 DIA)	[35mm <sup>2</sup> (6.5 DIA)] [50mm <sup>2</sup> (9.3 DIA)]	----- -----	1/2-13 UNC-2A	.39 [9.8]	.53 [13.5] 1.04 [26.4]	.75 [19.1]	.88 [22.4]	1.19 [30.2]	1.94 [49.3] 2.44 [62.0]	1.00 [25.4]	.93 [23.6]	1.15 [29.2]	1.56 [39.6]	2.31 [58.7] 2.81 [71.4]	1.38 [35.1]	385 [43.5]	480 [54.2]
KC25B1	K2C25B1																			
KC25B1CB1	K2C25B1																			
FIG. 3	FIG. 4					REF	±.05		±.03	REF	±.05	±.05	±.05	±.03	REF	±.05	±.05	±.05		
KC26	K2C26	2 (.292 DIA) 2/0 (.419 DIA)	2 (.258 DIA) 3/0 (.410 DIA)	[35mm <sup>2</sup> (6.5 DIA)] [70mm <sup>2</sup> (9.3 DIA)]	----- -----	1/2-13 UNC-2A	.44 [11.0]	.52 [13.2] 1.04 [26.4]	.88 [22.4]	1.01 [25.7]	1.38 [35.1]	2.12 [53.8] 2.62 [66.5]	1.16 [29.5]	1.04 [26.4]	1.28 [32.5]	1.81 [46.0]	2.53 [64.3] 3.09 [78.5]	1.56 [39.6]	385 [43.5]	480 [54.2]
KC26B1	K2C26B1																			
KC28	K2C28	1 (.332 DIA) 4/0 (.528 DIA)	1 (.289 DIA) 4/0 (.460 DIA)	[50mm <sup>2</sup> (9.3 DIA)] [95mm <sup>2</sup> (12.8 DIA)]	----- -----	5/8-11 UNC-2A	.55 [14.0]	.75 [19.1] 1.25 [31.8]	1.18 [30.0]	1.00 [25.4]	1.94 [49.3]	2.95 [74.9] 3.45 [87.6]	1.67 [42.4]	1.35 [34.3]	1.56 [39.6]	2.46 [62.5]	3.44 [87.4] 3.94 [100.1]	2.20 [55.9]	500 [56.5]	660 [74.6]
KC28B1	K2C28B1																			
KC31	K2C31	1 (.332 DIA) 350 Kcmil(.681 DIA)	----- -----	[50mm <sup>2</sup> (9.3 DIA)] [150mm <sup>2</sup> (16.0 DIA)]	----- -----	5/8-11 UNC-2A	.70 [17.8]	.75 [19.1] 1.23 [31.2]	1.43 [36.3]	1.29 [32.8]	2.19 [55.6]	3.19 [81.0] 3.69 [93.7]	1.84 [46.7]	1.69 [42.9]	1.91 [48.5]	2.88 [73.2]	3.88 [98.6] 4.38 [111.3]	2.53 [64.3]	650 [73.4]	660 [74.6]
KC31B1	K2C31B1																			
KC34	K2C34	3/0 (.470 DIA) 500 Kcmil(.813 DIA)	----- -----	[95mm <sup>2</sup> (12.8 DIA)] [240mm <sup>2</sup> (20.3 DIA)]	----- -----	3/4-10 UNC-2A	.85 [21.5]	.99 [25.1] 1.49 [37.8]	1.62 [41.1]	1.45 [36.8]	2.38 [60.5]	3.62 [91.9] 4.12 [104.6]	1.97 [50.0]	2.00 [50.8]	2.28 [57.9]	31.9 [81.0]	4.44 [112.8] 4.94 [125.5]	2.78 [70.6]	825 [93.2]	1050 [118.7]
KC34B1	K2C34B1																			
KC39	K2C39	350 Kcmil(.681 DIA) 750 Kcmil(.998 DIA)	----- -----	[185mm <sup>2</sup> (17.8 DIA)] [300mm <sup>2</sup> (22.6 DIA)]	----- -----	7/8-9 UNC-2A	1.01 [25.7]	1.13 [28.4] 1.63 [41.4]	1.88 [47.8]	1.92 [48.8]	2.94 [74.7]	4.32 [109.7] 4.82 [122.4]	2.53 [64.3]	2.31 [58.7]	2.62 [66.5]	3.94 [100.1]	5.32 [135.1] 5.82 [147.8]	3.53 [89.7]	1000 [113.0]	1700 [192.1]
KC39B1	K2C39B1																			
KC44	K2C44	500 Kcmil(.813 DIA) 1000 Kcmil(1.152 DIA)	----- -----	[300mm <sup>2</sup> (22.6 DIA)] [500mm <sup>2</sup> (28.3 DIA)]	----- -----	1-8 UNC-2A	1.17 [29.6]	1.19 [30.2] 1.69 [42.9]	2.12 [53.8]	2.12 [53.8]	3.23 [82.0]	4.73 [120.1] 5.23 [132.8]	2.83 [71.9]	2.56 [65.0]	2.91 [73.9]	4.39 [111.5]	5.89 [149.6] 6.42 [163.1]	3.99 [101.3]	1100 [124.3]	2550 [288.2]
KC44B1	K2C44B1																			

D

C

B

A

D

C

B

A


TO ORDER BURNDY® PRODUCTS CALL  
 UNITED STATES  
 1-800-346-4175 (LONDONDERRY, NH)  
 CANADA:  
 1-800-361-6975 (QUEBEC)  
 1-800-387-6487 (ALL OTHER PROVINCES)  
 FOR PRODUCT INFO: <http://www.burndy.com>

SERVIT POST™ (MALE)

ITEM NO: N/A  
 CAT. NO: KC--, K2C-- (TABLE)  
 DRAWN BY: A.J.M. 4/16/94  
 CHECKER: L.S.T. 4/25/94  
 DSN APPVL: H GOMES 09/14/17  
 MFG APPVL: P MARTEL 09/15/17  
 QA APPVL: C. LINDQUIST 09/19/17  
 MKT APPVL: P.WERTHMAN 4/94

SCALE: 1:000

PROD FAM: -- DRAWING NO: SD055917  
 PROJECT #: -- SIZE: D  
 DOCUMENT TYPE: Sales SHEET 1 OF 2  
 REV: H



REV	DATE	DESCRIPTION	ECO	BY	C'H'K.
J	09/05/2017 11:22:00 AM	KC25B1CB1 ROW ADDED	47461	SM	MB

REV: PEC200

REV	DATE	DESCRIPTION	ECO	BY	C.H.K.
J	09/05/2017 11:22:00 AM	KC28/CFE1 FROM ADDED	4746	SM	MB

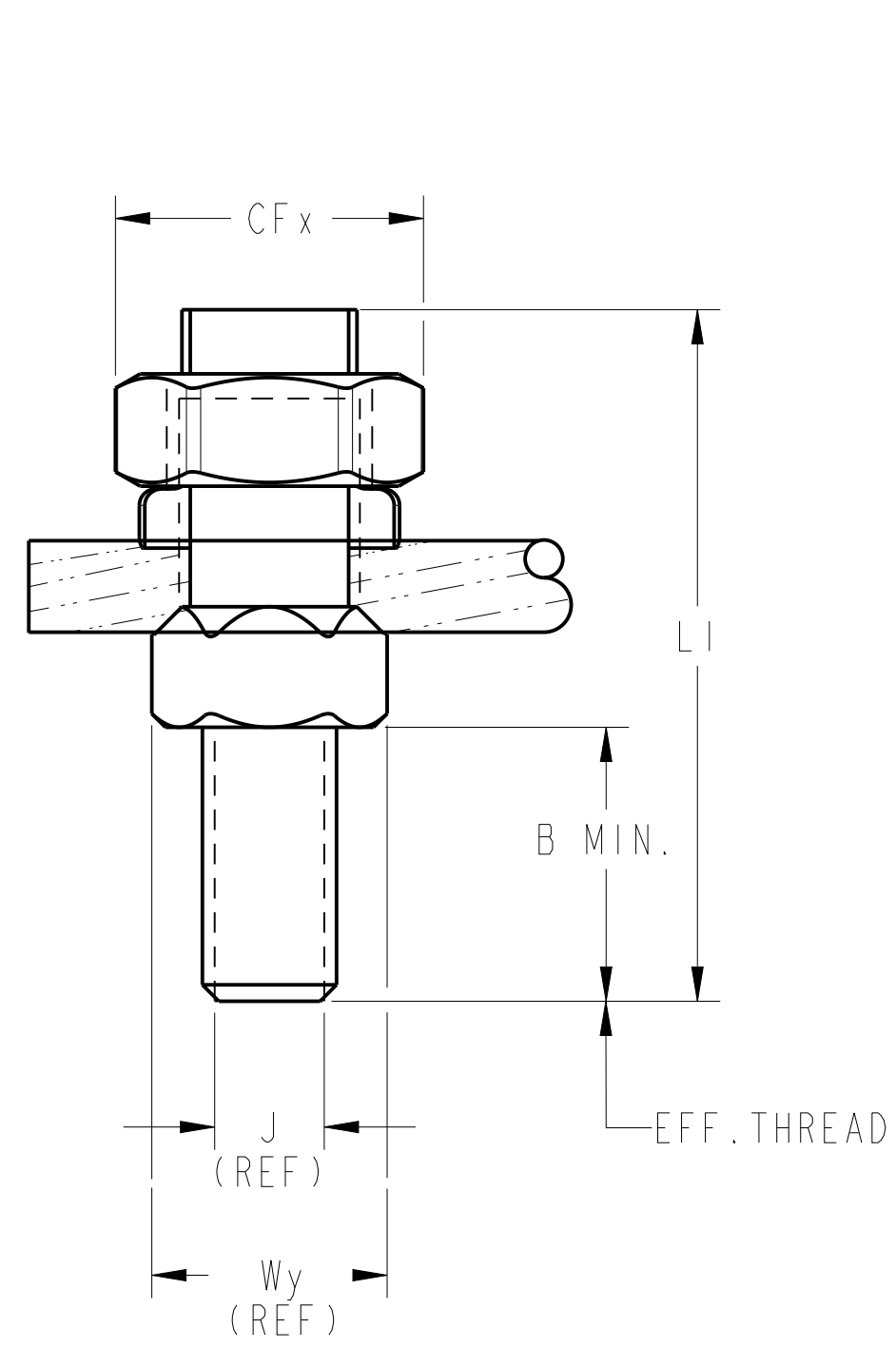


FIG. 1

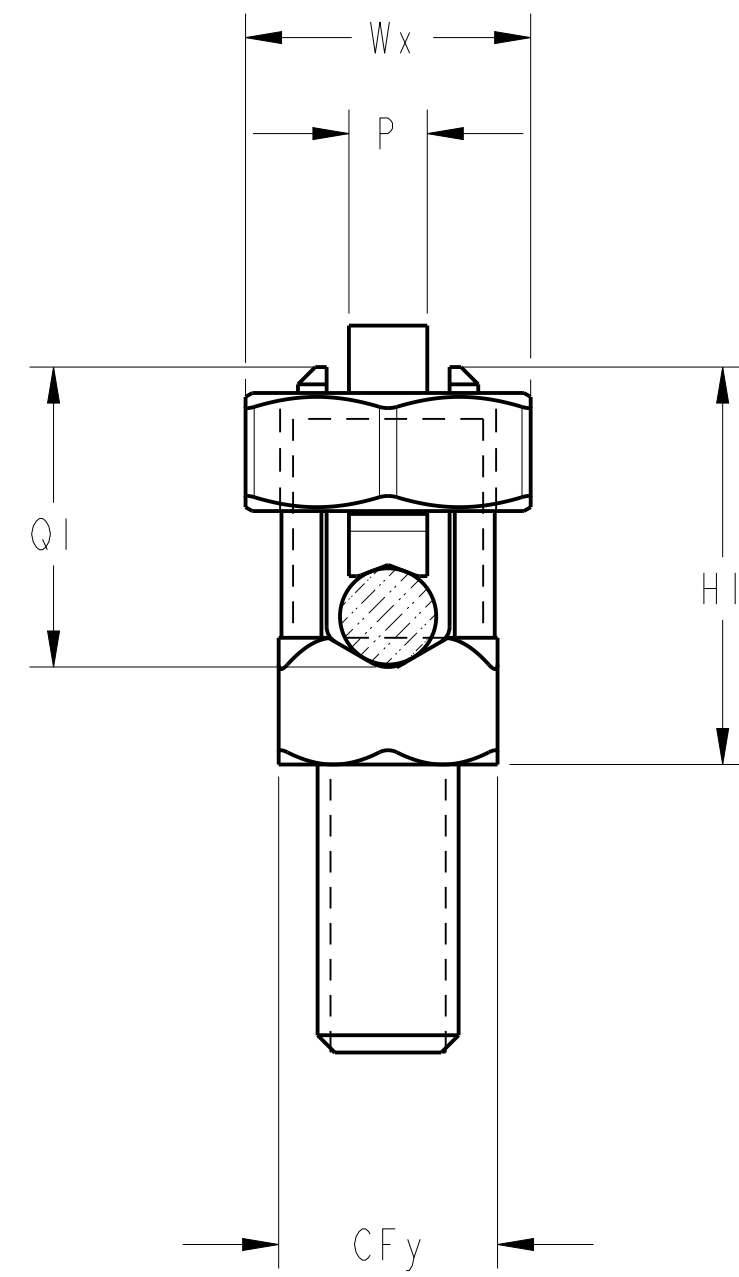


FIG. 2

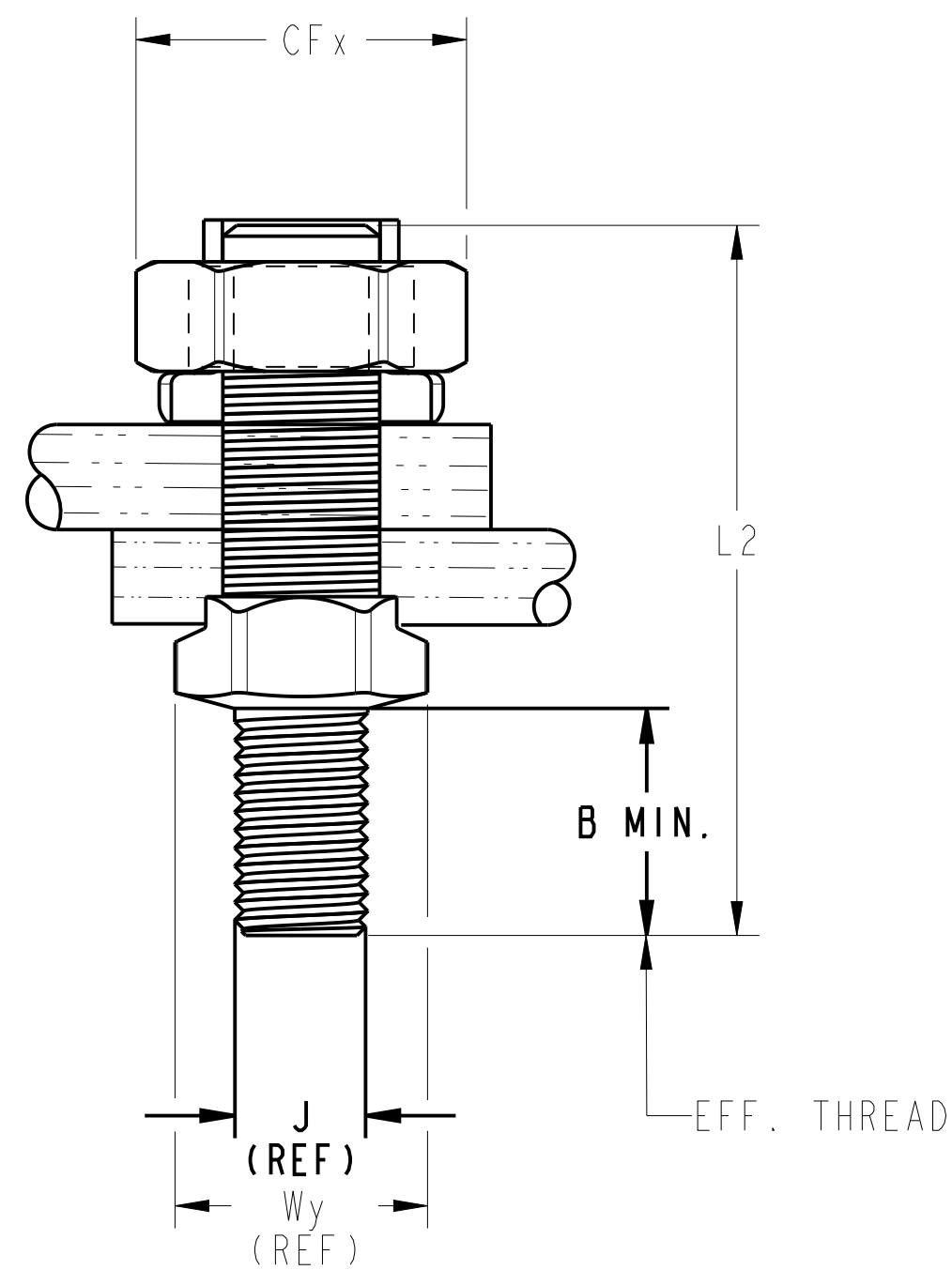


FIG. 3

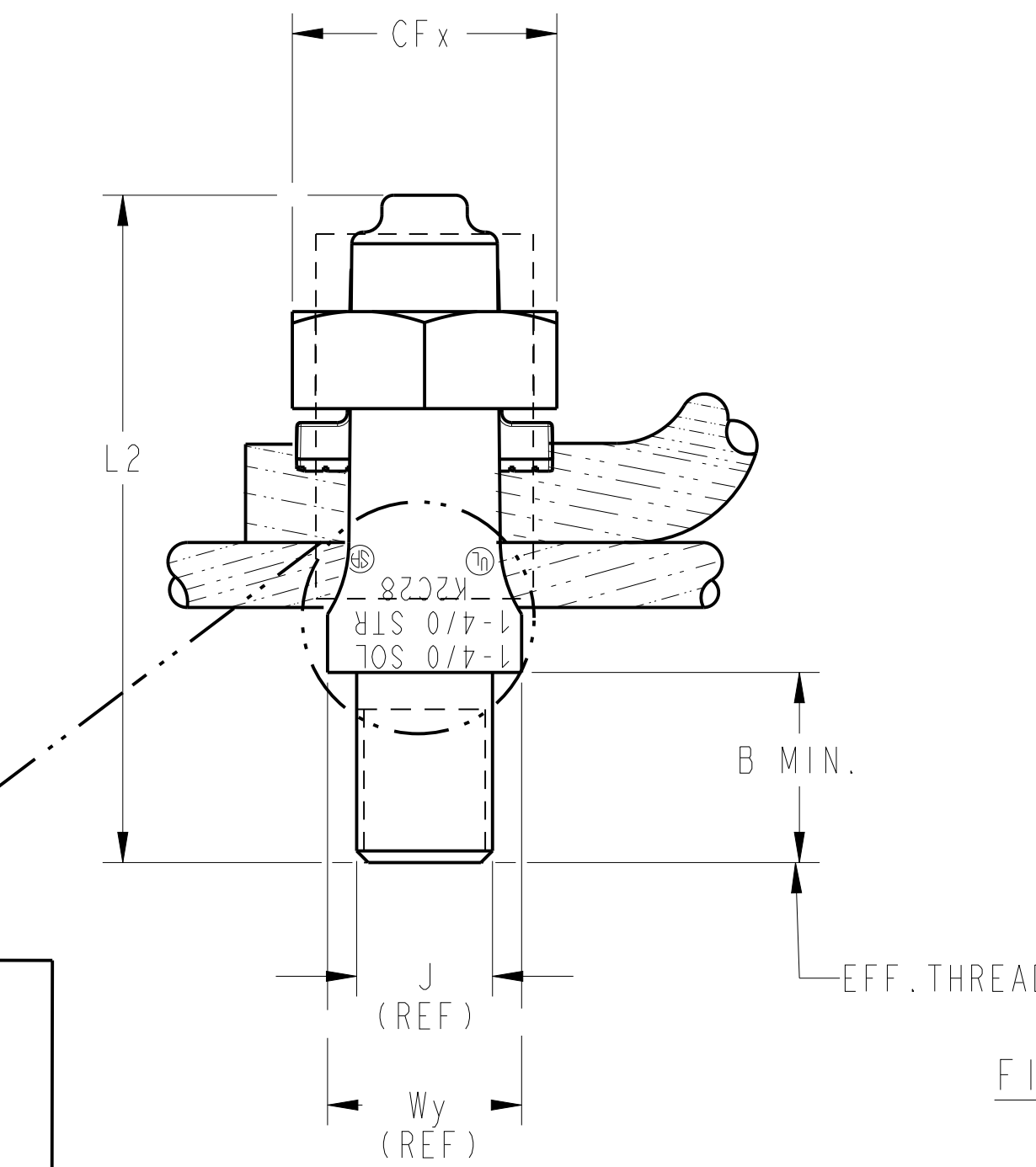
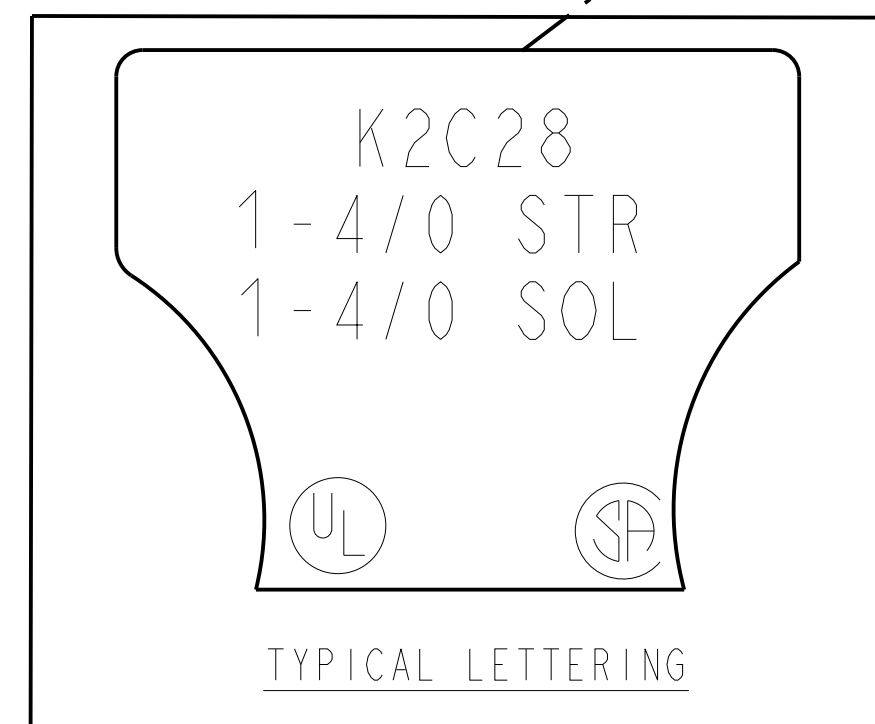


FIG. 4

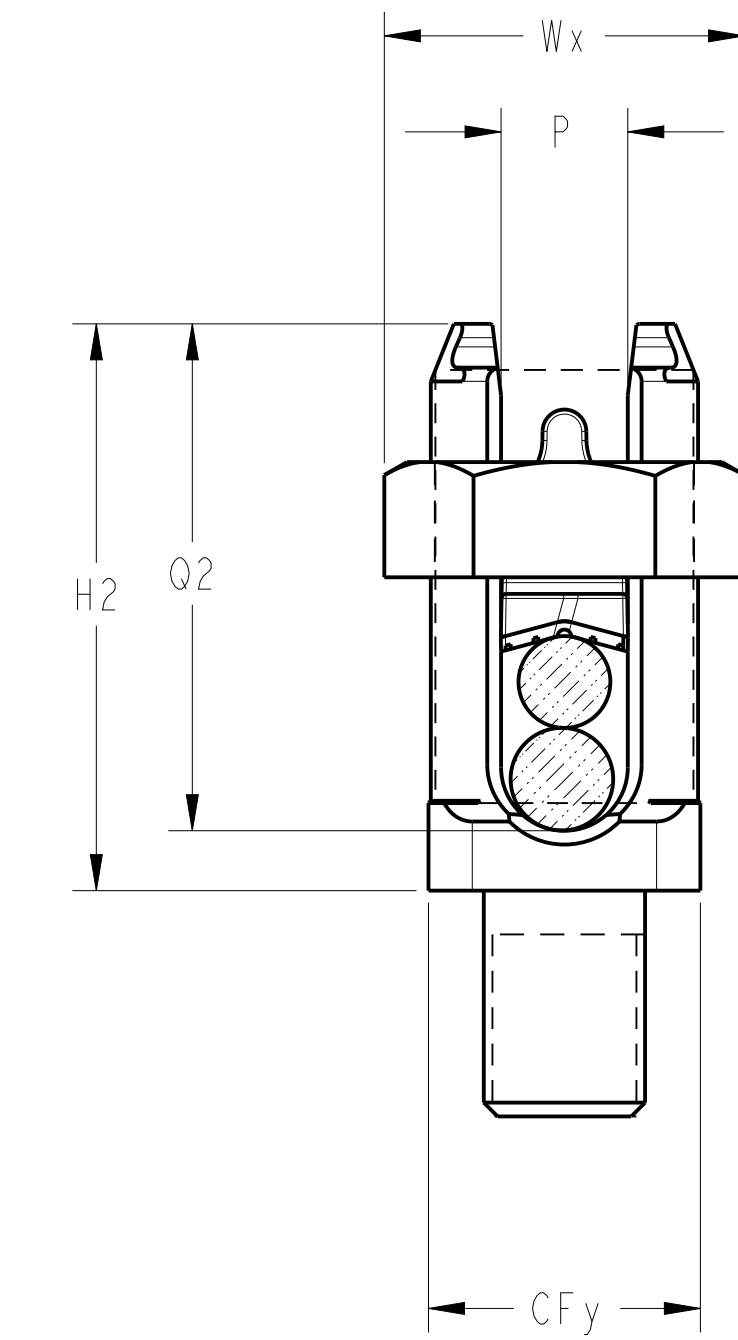


FIG. 5

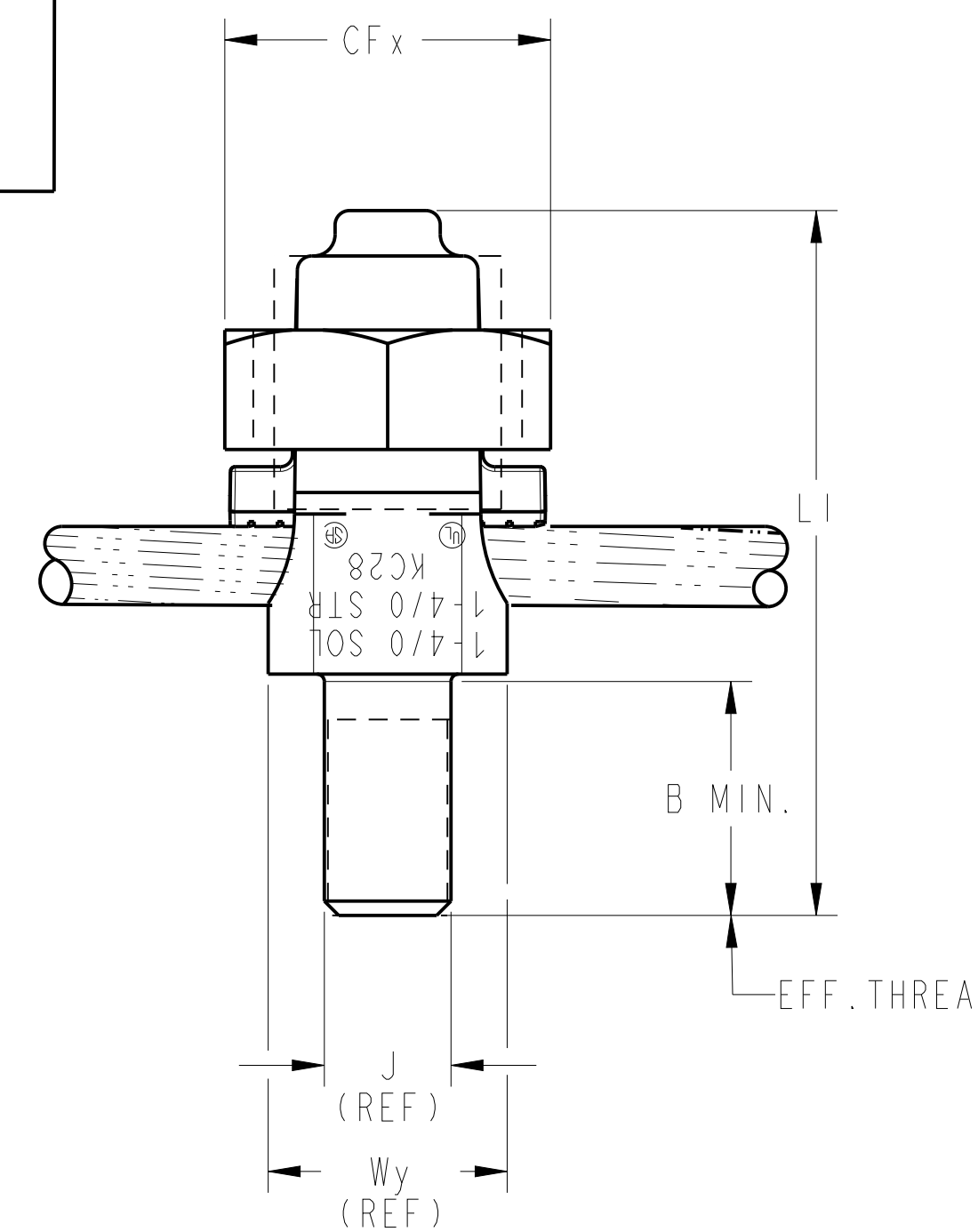


FIG. 6

NOTES:

1. MATERIAL: LEADED COMMERCIAL BRONZE (KC15-KC26).  
CAST COPPER ALLOY (KC28-KC44).
2. FINISH: NONE. ADD SUFFIX "TN" FOR TIN PLATING,  
ADD SUFFIX "NK" FOR NICKEL PLATING.
3. ALL ITEMS ARE LISTED TO UL 467, FILE E9999 AND CSA C22.2  
NO. 65, FILE 42861, UNLESS OTHERWISE NOTED.
4. DIMENSIONS IN [ ] BRACKETS ARE IN MILLIMETERS ROUNDED OFF  
TO THE NEAREST TENTH OF A MILLIMETER, UNLESS OTHERWISE  
NOTED AND ARE FOR REFERENCE ONLY.
5. THESE ITEMS ARE NOT UL467 LISTED. KC34 & K2C34 SERIES UL467  
LISTED FOR CONDUCTOR SIZES UP TO 300.
6. CATALOG NUMBER KC34J12T13 IS THE SAME AS THE KC34, EXCEPT  
THE KC34J12T13 HAS A 1/2-13 UNC-2A (J REF.) THREAD.
7. COMES IN BOX QTY OF 100.

TO ORDER BURNDY® PRODUCTS CALL UNITED STATES 1-800-346-4175 (LONDONDERRY, NH) CANADA: 1-800-361-6975 (QUEBEC) 1-800-387-6487 (ALL OTHER PROVINCES) FOR PRODUCT INFO: <a href="http://www.burndy.com">http://www.burndy.com</a>		SERVIT POST™ (MALE)	
		ITEM NO: N/A	CAT. NO: KC--, K2C-- (TABLE)
DRAWN BY: A. J. M. 4/16/94		CHECKER: L. S. T. 4/25/94	
DSN APPVL: H. GOMES 09/14/17		MFG APPVL: P. MARTEL 09/15/17	
QA APPVL: C. LINDQUIST 09/19/17		MKT APPVL: P. WERTHMAN 4/94	
PROD FAM: --	DRAWING NO: SD055917	SCALE: 1:000	REV: H
PROJECT #: --	SIZE: D	SHEET 2 OF 2	
DOCUMENT TYPE: Sales	REL LEVEL: Released		

