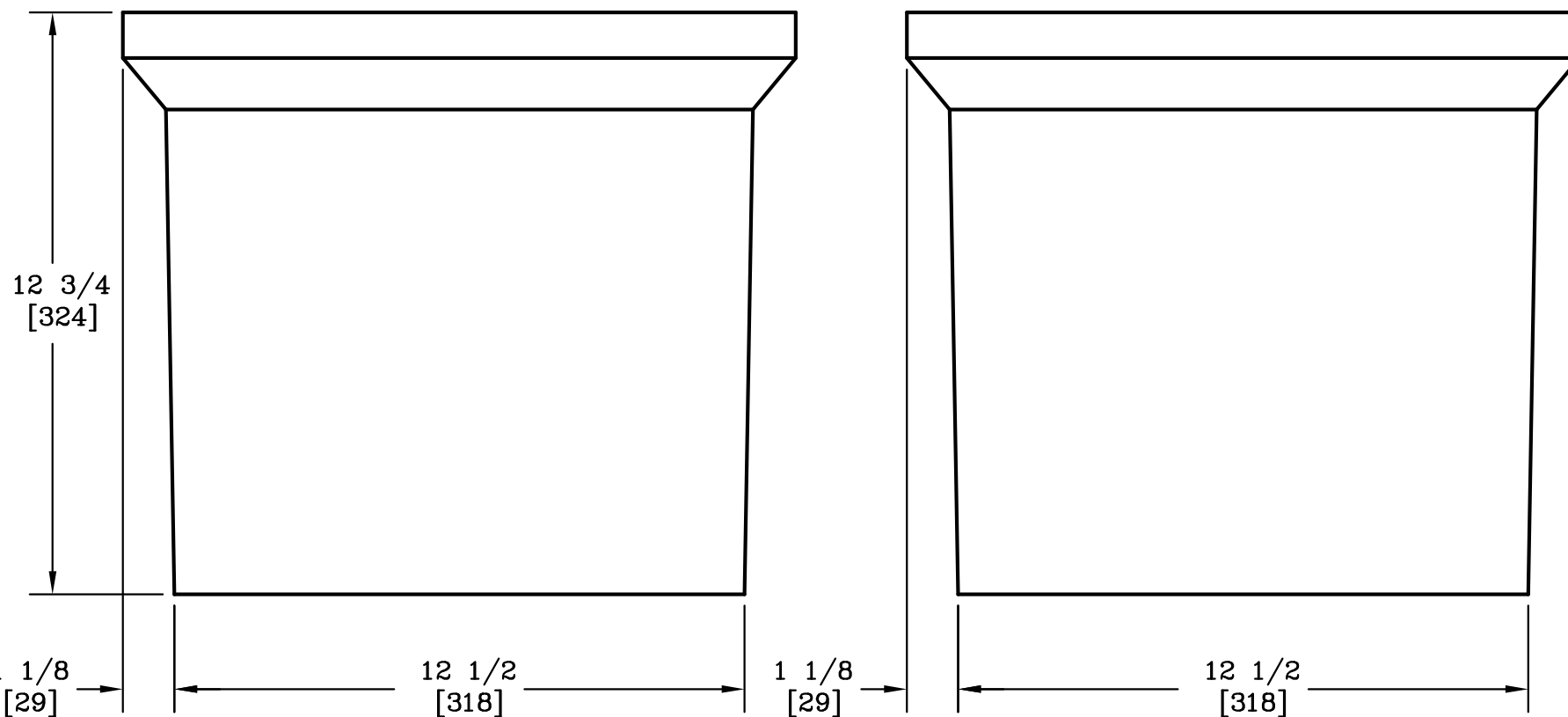


**SECTION A-A**



**NOTE:**

1. DIMENSIONS IN BRACKETS ARE IN MILLIMETERS UNLESS OTHERWISE NOTED.



DIMENSIONS ARE IN INCHES OR MILLIMETERS IN BRACKETS UNLESS OTHERWISE NOTED.				HUBBELL® 3621 INDUSTRIAL PARK DR LENOIR CITY, TN 37771 800-346-3062 www.quazite.com		LOC
DRN	BY	DATE	WEIGHT	SCALE	DRAWING DESCRIPTION	S
			36# 16kg			REV
CHK				3"=1'	QUAZITE® BOX	G
ENG				SIZE		3/12
APR				B		
PROJECT NUMBER				DRAWING NUMBER		
82073				PC1212BA12		
SHEET 1 OF 1						