

H-MOSS® Controls Passive Infrared Wall Switches

HUBBELL

Features

- Designed for use on 120 or 277V AC circuits, neutral wire required
- Photocell prevents lights from turning ON with sufficient natural light
- 3-Way capable
- Matching wallplate included



Ordering Information

| Description | UPC Number | Catalog Number |
|--|--------------|----------------|
| Manual adjusting; dual-voltage 120/277V; manual/auto ON operation | 783585256733 | WS2004W |

Listings

cULus listed to UL 773A

Specifications

| | |
|-----------------|--|
| Housing | Flame retardant UL 94 V-0 ABS |
| Lens | Polyethylene |
| Dimensions | Face 2.59"H x 1.30"W, 0.61"D (from wall out) |
| Mounting Height | 42 to 54 inches above floor |
| Mounting Strap | Steel |

Performance

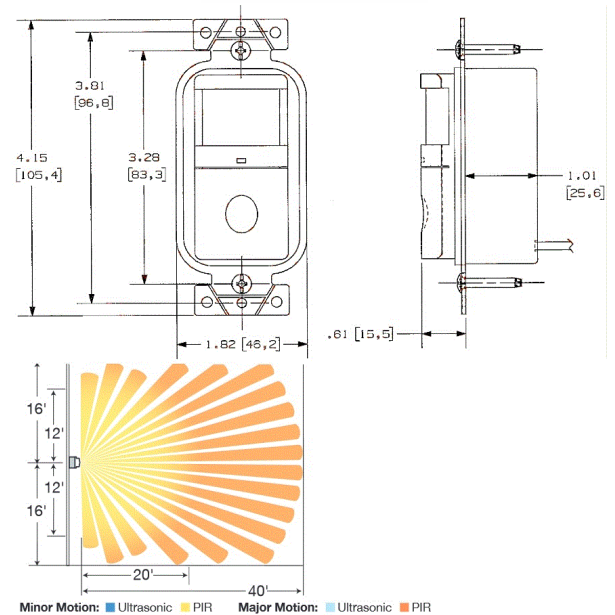
| Controls | |
|----------------|--|
| Ambient Light | Photocell, 10 to 500 foot candles |
| Service Switch | OFF (service); vacancy (manual-ON); occupancy (auto-ON) |
| Time Delay | Manual 20 seconds to 30 minutes |
| Electrical | |
| Load Capacity | Incandescent - 0 to 1000 watts, 120V; Ballast - 0 to 1000 watts, 277V; Horsepower rating 1/6 |

Environmental

| | |
|-----------------------|---|
| Operating Temperature | 32°F to 122°F (0°C to 50°C) with rate of change not exceeding 20°F(11°C) per hour |
| Storage | -40°F to 150°F (-40°C to 65°C); 20% to 90% non condensing relative humidity |

Sensing Indicators

| | |
|------------------|---------|
| Passive Infrared | Red LED |
|------------------|---------|



Complementary Products

| | |
|-------------------|-------|
| SS Wallplate | SS26 |
| Snap-On Wallplate | RCW1W |

Online Resources

- Customer Use Drawing
- eCatalog
- Installation Instructions

Dimensions in Inches (mm)

Hubbell Wiring Device-Kellems • Hubbell Incorporated (Delaware) • 40 Waterview Drive • Shelton, CT 06484

Phone (800) 288-6000 • Fax (800) 255-1031 • Specifications subject to change without notice.

