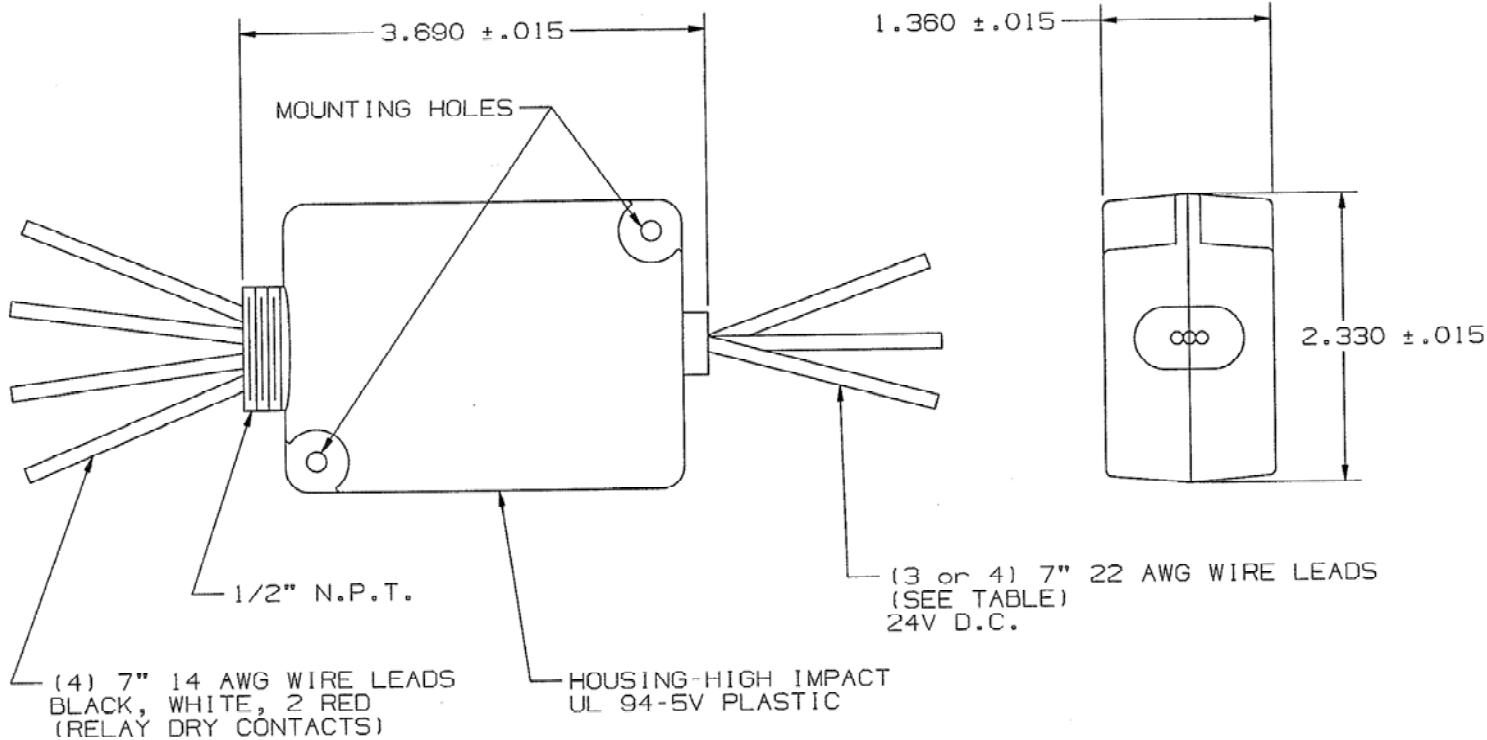


M-10823 3



CATALOG NO.	OUTPUT LEAD COLORS
CU300A	RED, BLUE, BLACK
CU300AU	RED, BLUE, BLACK
CU300M	RED, BLUE, BLACK, ORANGE

WEIGHT - 15 OZ.
COLOR - BLACK
PLENUM RATED

LIST OF PARTS

DESCRIPTION	MATERIAL	FINISH

SYM	REVISIONS	APP	DATE
3	DIM 3.690 WAS 3.730, REVISED NOTE (3) 7" 22... ADDED TABLE PER DCN 18391. MYA	DJP	10/24/11
2	ADDED CU300AU PER DCN 15760 RCM	SL	07/21/09
1	NEW RELEASE PER DCN 14426 SPN	SL	01/24/08

THE DESIGN AND DIMENSIONS OF THE PRODUCT SHOWN ON THIS DRAWING ARE SUBJECT TO CHANGE WITHOUT NOTICE

TITLE
UNIVERSAL VOLTAGE
POWER PACK

TOLERANCES UNLESS OTHERWISE SPECIFIED FRACTIONS ±1/64 DECIMALS ±.005 ANGLES ±2°	WIRING DEVICE-KELLEMS HUBBELL INCORPORATED BRIDGEPORT, CT	
	DR. BY SPN	APP. BY SML
	TR. BY	SCALE 1:1
CHK'D BY SML		DATE 1/21/08

DIMENSION SHEET FOR CAT. NO.
CU300A, CU300AU, CU300M

REPAIRABLE NON-REPAIRABLE

B

M-10823

3