

M-12395 2

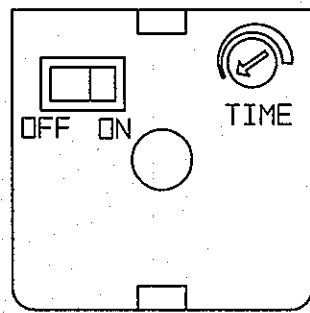


FIG. 1

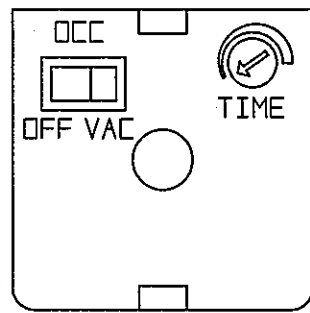
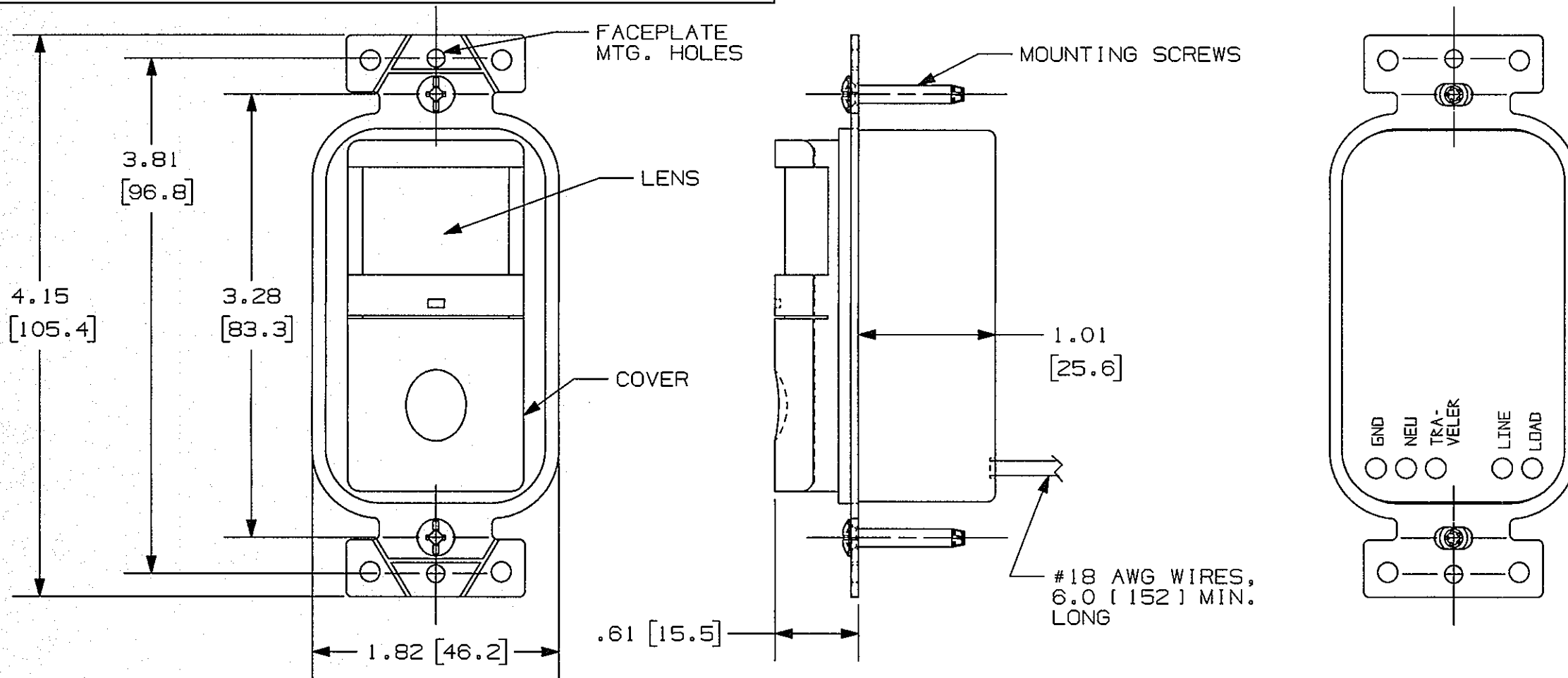
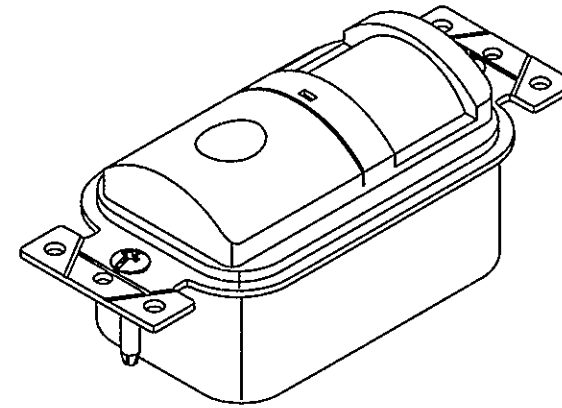


FIG. 2

VIEWS WITH COVER REMOVED



CATALOG NO.	PHOTO-CELL	NIGHT LIGHT (LED)	600W	120-277VAC 1000/1800W	ZERO CROSS CIRCUITRY	GROUND WIRE POWER	NEUTRAL WIRE POWER	VACANCY MODE (MANUAL ON)	AUTO/MANUAL ON MODE, MULTI-WAY FUNCTION	FIGURE NUMBER
WS1000xx			V			V		Auto ON		2
WS1000Nxx		V	V			V		Auto ON		2
WS2000xx	V			V	V	V			V	2
WS2000Nxx	V	V		V	V	V			V	2
WS2004xx	V			V	V		V		V	2
WS2004Nxx	V	V		V	V		V		V	2
WS1001xx			V			V		Manual ON		1
WS1001Nxx		V	V			V		Manual ON		1

DESCRIPTION	MATERIAL	FINISH
HOUSING	THERMOPLASTIC	----
LENS	POLYETHYLENE	----
MOUNTING STRAP	STEEL	ZINC
MOUNTING SCREWS	STEEL	ZINC

SYM	REVISIONS	APP	DATE
2	REMOVED VIEW OF FIG. 3. FIG. 1 REMOVED OCC. FIG. 2 VAC WAS ON. TABLE REMOVED MANUAL TIMING, AUTO TIMING, ATP2000xxx, ATP2000Nxx, ATP2004xx AND ATP2004Nxx. FIGURE NUMBER FOR WS1000xx AND WS1000Nxx 2 WAS 1. PER DCN 22847 SPN	SL	2/8/17
1	RELEASED PER DCN19178 SPN	SL	1/17/13

THE DESIGN AND DIMENSIONS OF THE PRODUCT SHOWN ON THIS DRAWING ARE SUBJECT TO CHANGE WITHOUT NOTICE

TITLE
WS SERIES
WALL SWITCH PIR SENSOR

TOLERANCES UNLESS OTHERWISE SPECIFIED	WIRING DEVICE-KELLEMS HUBBELL INCORPORATED SHELTON, CT	
.XX = ±.01	DR. BY SRE	APP. BY SL
.XXX = ±.005	TR. BY	SCALE 1:1
ANGLES = ±2°	CHK. BY SL	DATE 1/17/13

ALL DIMENSIONS ARE IN INCHES AND [MILLIMETERS]

DIMENSION SHEET FOR CAT. NO. SEE CHART
 REPAIRABLE NON-REPAIRABLE
 B
 M-12395
 2