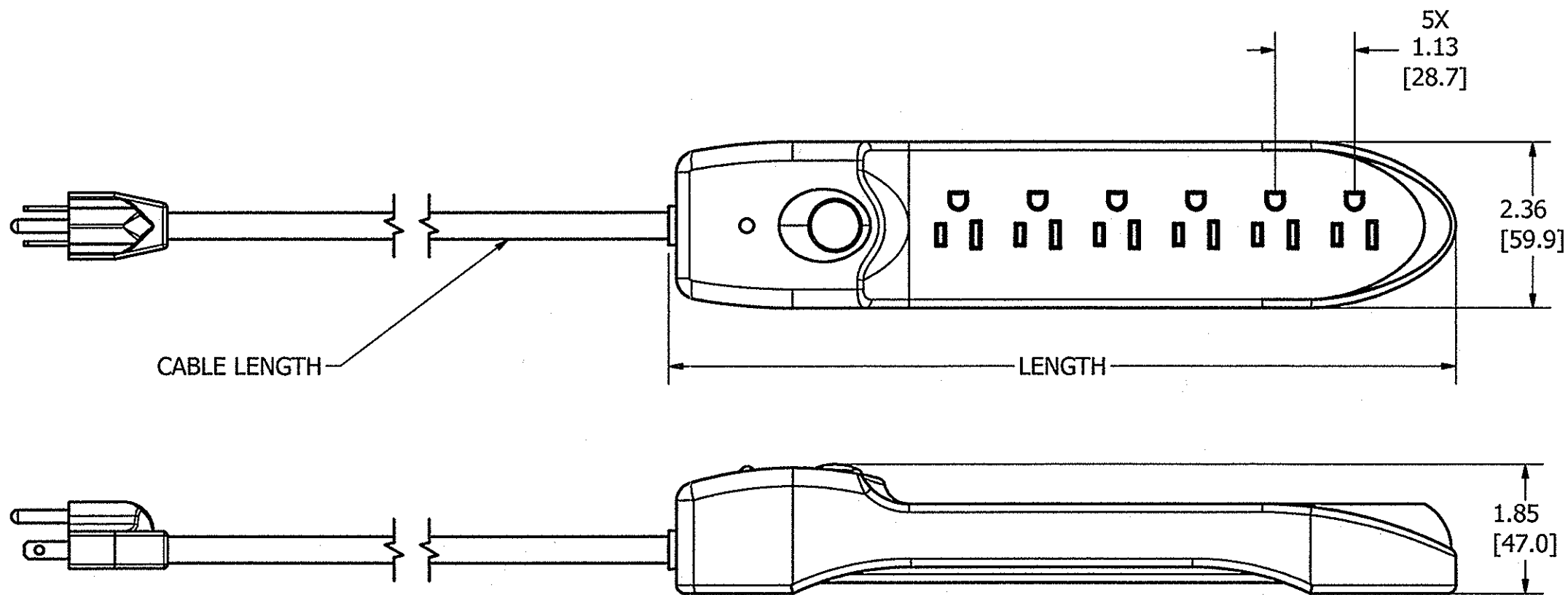


M-10595 | 5



CATALOG NO. HBL6PS350A SHOWN

HUBBELL CAT. NO.	HBL6PS350A	HBL6PS35015A	HBL6PS35025A	HBL6PS1050MA
CABLE LENGTH	6FT	15FT	25FT	6FT
SURGE ENERGY RATING	350J	350J	350J	1050J
MAXIMUM SURGE CURRENT RATING	6500A	6500A	6500A	19500A
EMI/RFI NOISE FILTER (150kHz - 30 Mhz)	NONE	NONE	NONE	UP TO 20dB
VOLTAGE PROTECTION RATING (VPR)	400V (L-N)	400V (L-N)	400V (L-N)	400V (L-N, L-G, N-G)
RJ11 PHONE/DATA PROTECTION (350V)	NONE	NONE	NONE	1 IN, 1 OUT
LENGTH (IN)	11.22	11.22	11.22	12.91

NOTES:

ALL DIMENSIONS ARE IN INCHES [mm]
 MEETS UL STANDARD 1449 3RD EDITION
 ELECTRICAL RATING: 15A, 125V, 1875W
 MAXIMUM CONTINUOUS OVER VOLTAGE (MCOV): 127V
 NOMINAL DISCHARGE CURRENT (In): 3kA
 ALL POWER TAPS EQUIPPED AS FOLLOWS:
 LIGHTED PUSHBUTTON ON/OFF MASTER SWITCH WITH BUILT-IN CIRCUIT BREAKER
 TAMPER RESISTANT OUTLETS, PROTECTION LED INDICATOR

CODE 74545

LIST OF PARTS

DESCRIPTION	MATERIAL	FINISH
HOUSING	ABS	OFF WHITE

REPAIRABLE NON-REPAIRABLE

5	REDRAWN PER DCN18355	SBW	9/19/11
SYM	DESCRIPTION	APPRO	DATE

THE DESIGN AND DIMENSIONS OF THE PRODUCT SHOWN ON THIS DRAWING ARE SUBJECT TO CHANGE WITHOUT NOTICE

TITLE SURGE PROTECTIVE DEVICE, SIX OUTLET RELOCATABLE POWER TAP

TOLERANCES UNLESS OTHERWISE SPECIFIED FRACTIONS ±1/64 DECIMALS ±.005 ANGLES ±2°	WIRING DEVICE-KELLEMS HUBBELL INCORPORATED SHELTON, CT		
	DR. BY	SBW	APP. BY <i>SBW</i>
	TR. BY		SCALE 1:2
	CHK'D BY		DATE 9/19/2011

DIMENSION SHEET FOR CAT. NO. SEE TABLE
 REPAIRABLE NON-REPAIRABLE
 B M-10595 5