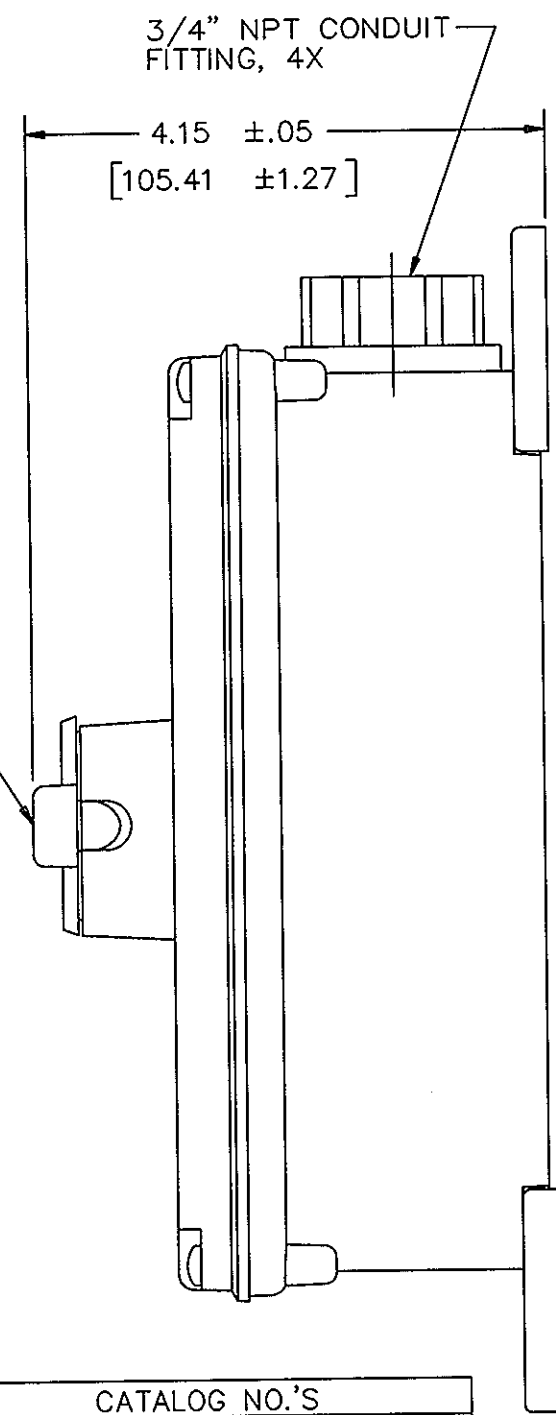
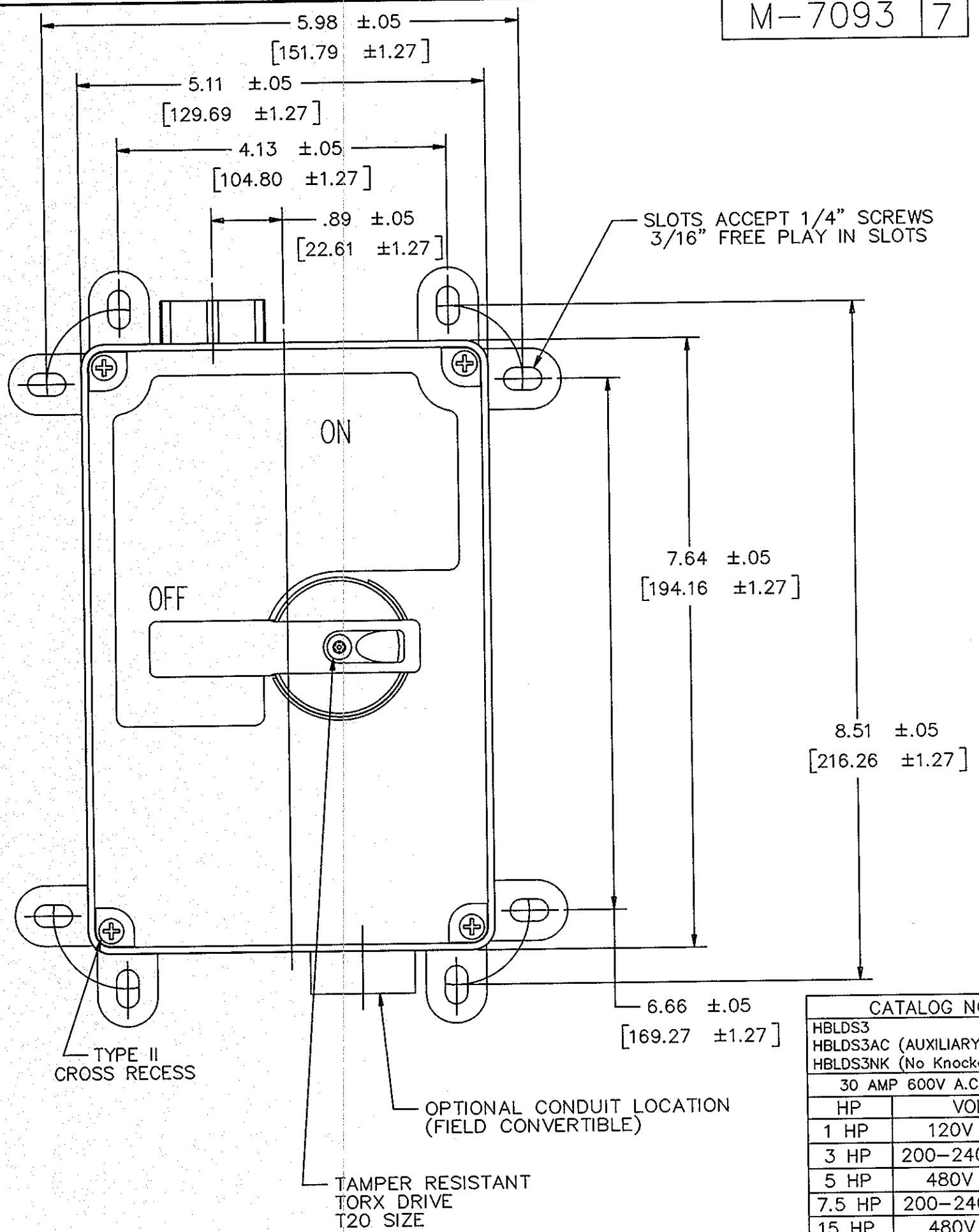
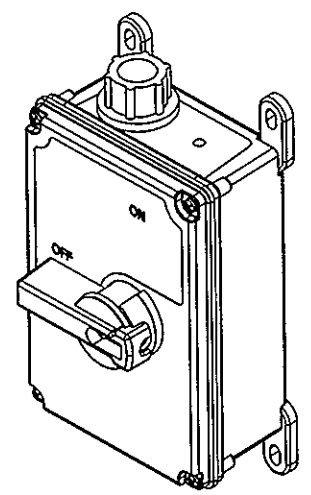


M-7093 | 7



LIST OF PARTS		
DESCRIPTION	MATERIAL	FINISH
ALL EXTERNAL PLASTIC PARTS	UV STABILIZED POLYESTER/POLYCARBONATE BLEND	
FRAME	GALVANIZED STEEL	
ALL EXTERNAL SCREWS AND HARDWARE	STAINLESS STEEL	
CONDUIT HUB	ZINC	



CATALOG NO. HBLDS3
(NOT SHOWN TO SCALE)

SYM	REVISIONS	APP	DATE
7	ADDED ISO VIEW TO INDICATE SOLID MODEL EMBEDDED IN DRAWING. PER DCN 21895	DJP DDL	02/22/16
6	ADDED CAT. NO. HBLDS3NK PER DCN 14639	WRV	9/20/07
5	ADDED RATING TABLE PER DCN 14262	TLS MJM	9/20/07
4	REVISED RATING TABLE PER DCN #13625	TLS RCM	1/26/07

THE DESIGN AND DIMENSIONS OF THE PRODUCT SHOWN ON THIS DRAWING ARE SUBJECT TO CHANGE WITHOUT NOTICE

TITLE	
CIRCUIT-LOCK™ DISCONNECT SWITCH	
TOLERANCES UNLESS OTHERWISE SPECIFIED	WRING DEVICE-KELLEMS HUBBELL INCORPORATED SHELTON, CT
FRACTIONS ±1/64	DR. BY PG
DECIMALS ±.005	APP. BY WRV
ANGLES ±2°	TR. BY SCALE NONE
	CHK'D BY WRV DATE 11/11/92

CATALOG NO.'S	
HBLDS3	
HBLDS3AC (AUXILIARY CONTACT)	
HBLDS3NK (No Knockouts)	
30 AMP 600V A.C. RATINGS	
HP	VOLTAGE
1 HP	120V AC 1ϕ
3 HP	200-240V AC 1ϕ
5 HP	480V AC 1ϕ
7.5 HP	200-240V AC 3ϕ
15 HP	480V AC 3ϕ
15 HP	600V AC 3ϕ

CATALOG NO.'S	
HBLDS33ACNK (3 AUX. CONTACT)	
30 AMP 600V A.C. RATINGS	
HP	VOLTAGE
1 HP	120V AC 1ϕ
2.5 HP	220-277V AC 1ϕ
5 HP	480V AC 1ϕ
5 HP	208-240V AC 1ϕ
10 HP	480V AC 3ϕ
10 HP	600V AC 3ϕ

CODE 74545

DIMENSION SHEET FOR CAT. NO. M-7093
 REPAIRABLE NON-REPAIRABLE
 SEE TABLE
 B
 M-7093
 7