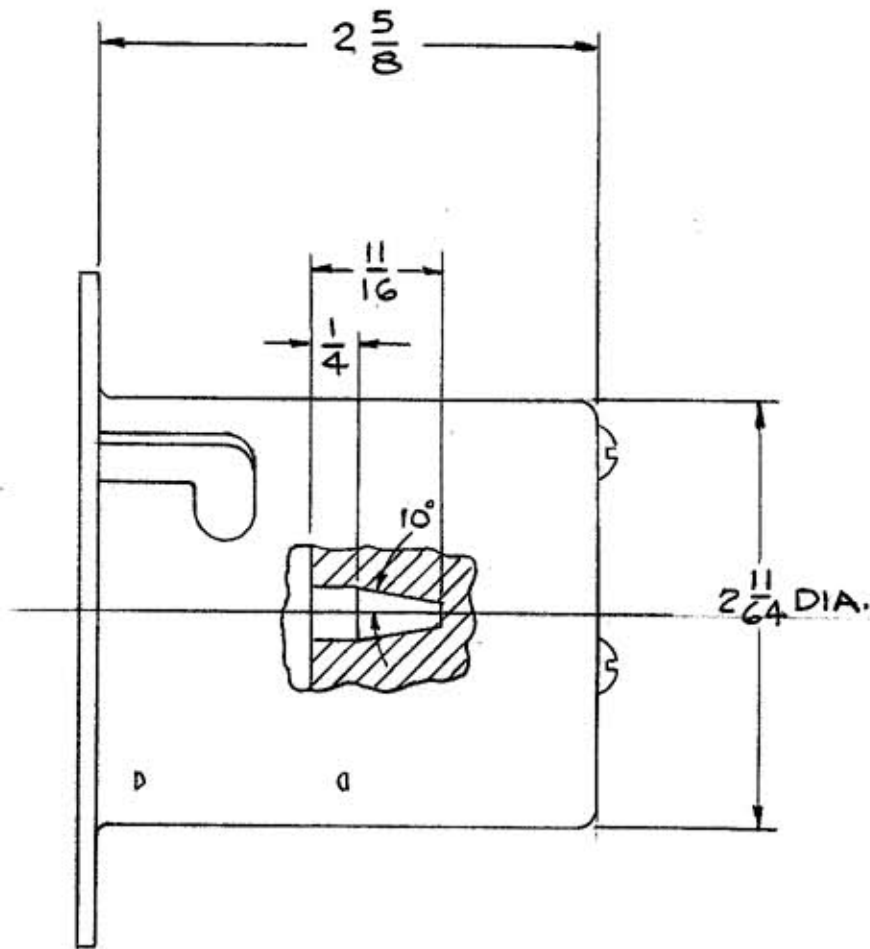
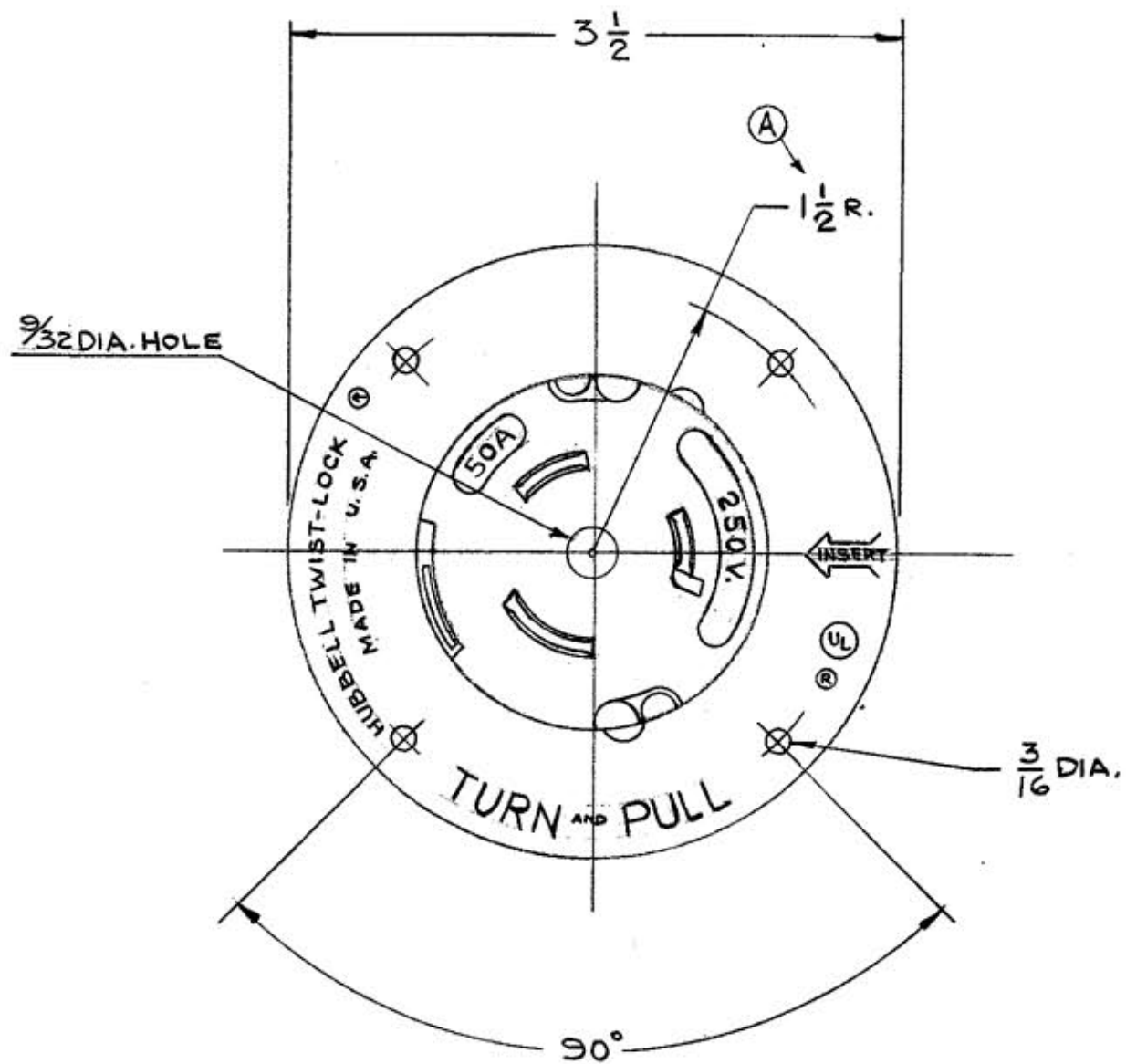


M-5639 2



LIST OF PARTS		
DESCRIPTION	MATERIAL	FINISH
INSULATORS	PHENOLIC	
CONTACT BLADES	.100 BRASS	
TERMINALS	.050 STEEL	1- GREEN 2- BRASS
GR. SPRING	.025 BRONZE	
PRESSURE SCR'S.	STEEL	CAD. PL. YELLOW GRAM
FLANGED CASING	.062 STEEL	ZINC PL.
RD. HD. SCREWS	STEEL	ZINC PL.

REPAIRABLE  NON-REPAIRABLE

SYM	REVISIONS	APP	DATE
2	GR. TERMINAL REMOVED FROM LIST OF PART A.J.L.		
1	"A" DIM. CORRECTED #JL		4-26-74

B  
M-5639

TITLE  
50A, 250 V. 2 POLE  
3-WIRE NON-INTERCHANGEABLE  
TWIST-LOCK FLANGED INLET  
WITH CENTER HOLE

TOLERANCES UNLESS OTHERWISE SPECIFIED  
 FRACTIONS ± 1/64  
 DECIMALS ± .005  
 ANGLES ± 2°

HARVEY HUBBELL, INC.  
 BRIDGEPORT, CONN.  
 DR. BY A.J.L. APP. BY \_\_\_\_\_  
 TR. BY \_\_\_\_\_ SCALE FULL  
 CHK'D. BY \_\_\_\_\_ DATE 4-4-73

CODE 74545

2

DIMENSION SHEET FOR CAT. NO. CS-8275