

Switches, Double Pole  
 20A, 120-277V AC  
 Style Line® Decorator Series Specification  
 Grade Switch

# HUBBELL

## Features

- Thread cleaning captive mounting screw
- Steel, zinc plated bridge is corrosion resistant
- Automatic self-grounding staple

## Ordering Information

| Description                 | Rocker Color | UPC          | Catalog Number |
|-----------------------------|--------------|--------------|----------------|
| Rocker, back and side wired | Light Almond | 783585151403 | DS220LA        |

## Listings

UL Listed  
 CSA Certified

## Specifications

|                 |   |
|-----------------|---|
| Rocker Material | Thermoplastic                               |
| Contacts        | Silver Alloy                                |
| Terminal Screws | Brass                                       |
| Mounting Bridge | Nickel Plated Steel with Auto Ground Staple |
| Contacts        | Silver Alloy                                |
| Ground Screw    | Brass (Green)                               |

## Performance

### Electrical

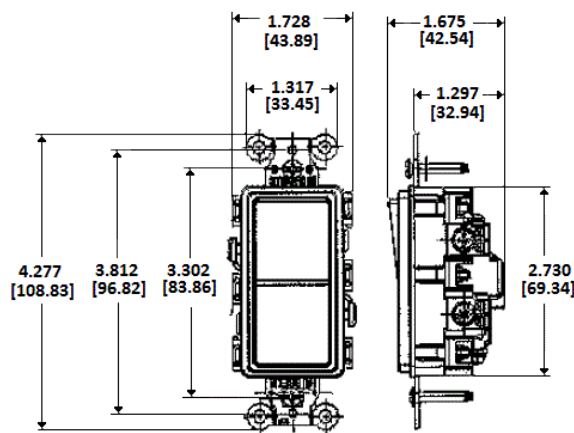
|                         |  |
|-------------------------|--|
| Dielectric Voltage      | Withstands 1500V AC minimum for 1 minute       |
| Max. Continuous Current | 20A  |
| Max. Working Voltage    | 277V AC  |
| Overload                | Minimum 4.8 times rated current for 100 cycles |
| Temperature Rise        | 30°C maximum at rated current                  |

### Mechanical

Terminal Accommodations #14 AWG min. - #10 AWG max. solid and stranded copper wire only

### Environmental

|                       |  |
|-----------------------|--|
| Flammability          | UL 94V-2   |
| Operating Temperature | Max. continuous: 75°C; Min. continuous: -40°C without impact |



## Online Resources

Customer Use Drawing  
 eCatalog  
 Installation Instructions

Dimensions in Inches (mm)

Hubbell Wiring Device-Kellems • Hubbell Incorporated (Delaware) • 40 Waterview Drive • Shelton, CT 06484

Phone (800) 288-6000 • Fax (800) 255-1031 • Specifications subject to change without notice.

