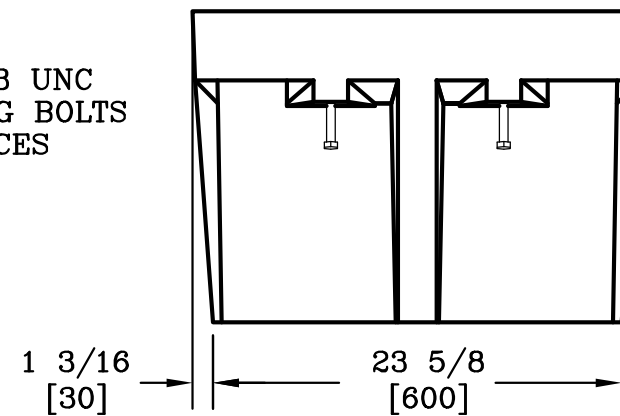
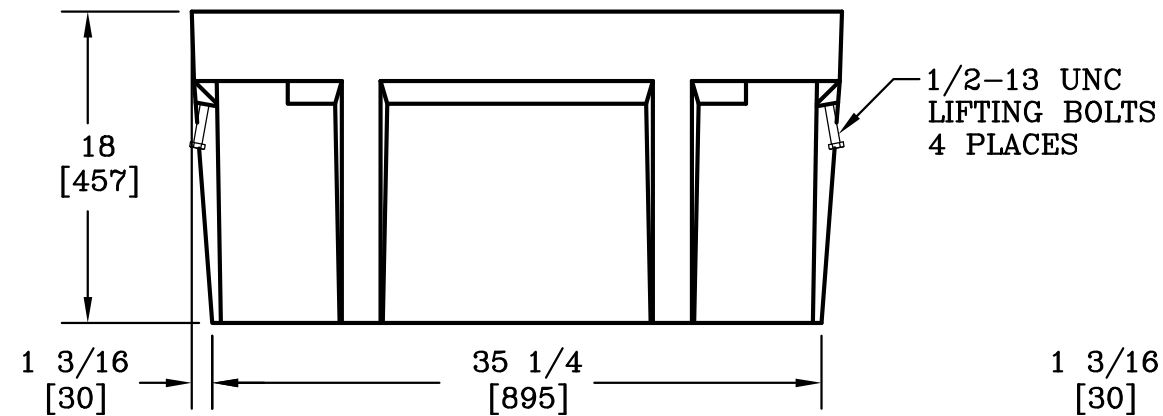



SECTION A-A
SCALE: 1"=6"



DIMENSIONS ARE IN INCHES OR MILLIMETERS IN BRACKETS UNLESS OTHERWISE NOTED.					
DRN	BY	DATE	WEIGHT	 3621 INDUSTRIAL PARK DR LENOIR CITY, TN 37771 800-346-3062 www.quazite.com	LOC
CHK	ENG	APR	APR		LC
WRT 3/10/05 M&F 2/8/91 JTD 2/8/91 F.M.P. 2/10/91 VJB 2/18/91	SCALE	1'=1'	SIZE	DRAWING DESCRIPTION QUAZITE® BOX STANDARD VERSION	REV
141# 64kg	B	K			
PROJECT NUMBER			DRAWING NUMBER		
91096			PG2436BA18		3/12
SHEET 1 OF 1					