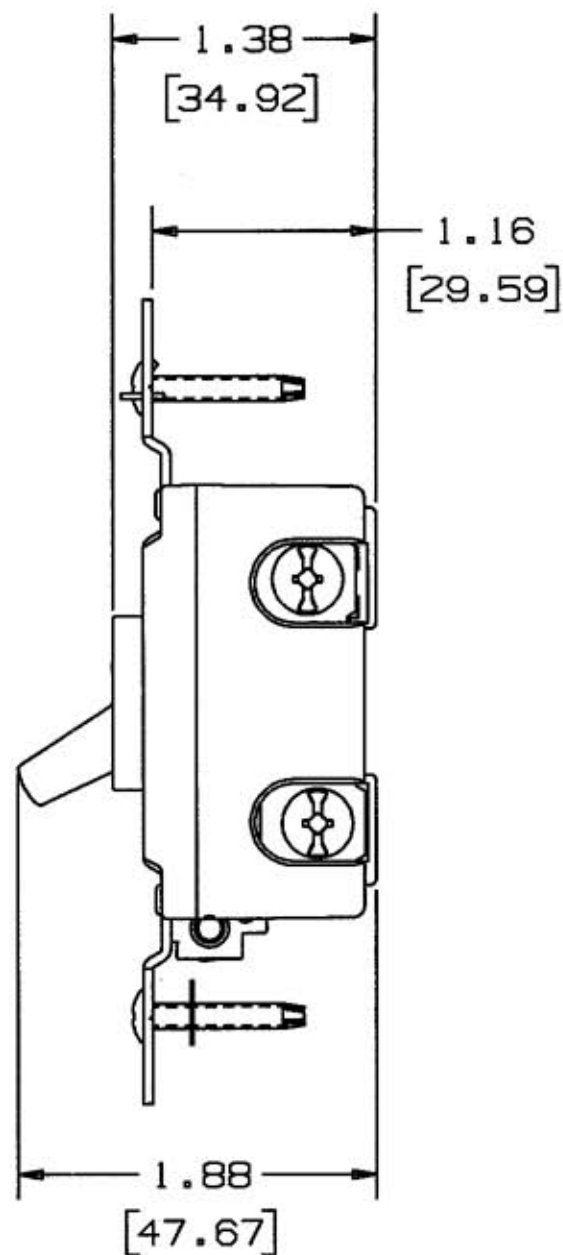
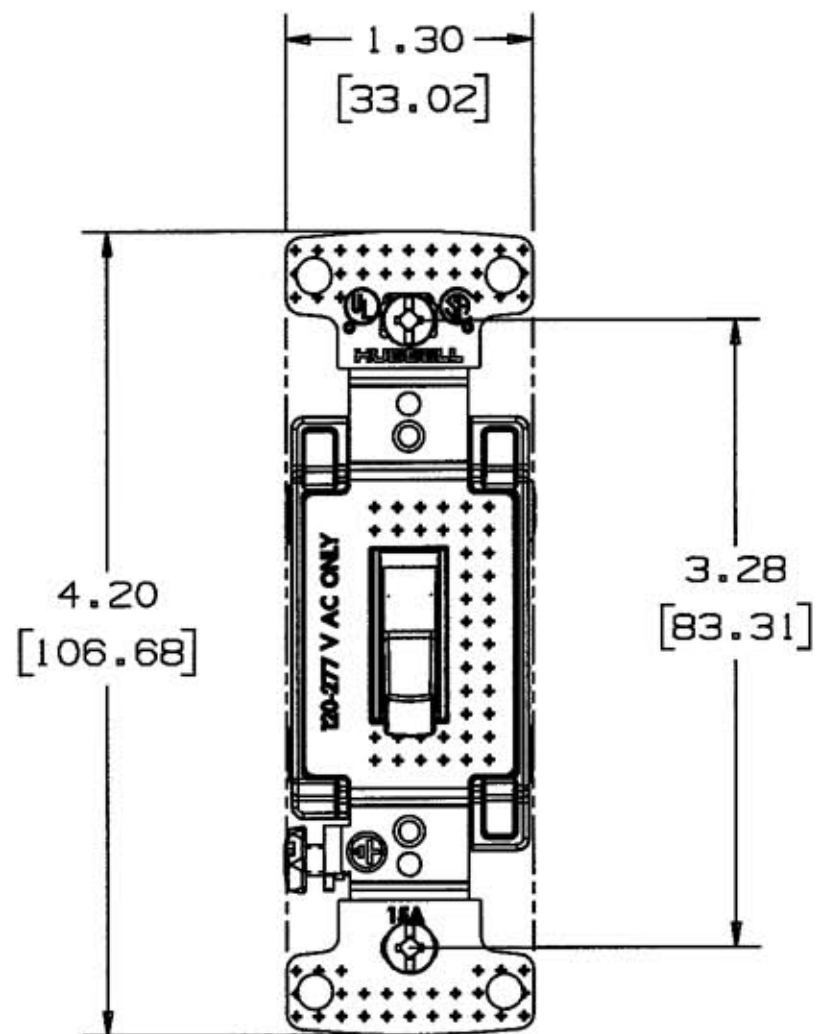


M-9971 2



CATALOG NUMBER	TOGGLE COLOR	RATING
RS415	BROWN	15A 120V
RS415I	IVORY	15A 120V
RS415W	WHITE	15A 120V
RS415GY	GRAY	15A 120V
RS415BK	BLACK	15A 120V
RS415AL	ALMOND	15A 120V
RS415LA	LIGHT ALMOND	15A 120V

DIMENSIONS ARE IN INCHES [MM].

LIST OF PARTS

DESCRIPTION	MATERIAL	FINISH
BASE	PLASTIC	
SCREWS	STEEL	ZINC
WASHER	PLASTIC	
BRIDGE	STEEL	ZINC
COVER	PLASTIC	
SWITCH INSERT	PLASTIC	
GROUNDING SPRING	SS	
TOGGLE	PLASTIC	
SPRING HOUSING	PLASTIC	
CONTACTS	SILVER	
TERMINAL	BRASS	

SYM	REVISIONS	APP	DATE
2	CHANGE COMPANY NAME PER DCN# 13527	FJ	11/3/06
1	08/21/06 RELEASED TO PRODUCTION PER DCN# 13095	FJ	08/21/06

THE DESIGN AND DIMENSIONS OF THE PRODUCT SHOWN ON THIS DRAWING ARE SUBJECT TO CHANGE WITHOUT NOTICE

TITLE  
 FLUSH A.C.  
 TOGGLE 4 WAY  
 SWITCH

TOLERANCES UNLESS OTHERWISE SPECIFIED  
 FRACTIONS ± 1/64  
 DECIMALS ± .005  
 ANGLES ± 2°

WIRING DEVICE-KELLEMS  
 HUBBELL INCORPORATED  
 BRIDGEPORT, CT.  
 DR. BY MPF APP. BY FJ  
 TR. BY SCALE 1:1  
 CHK'D BY AMZ DATE 12/5/05