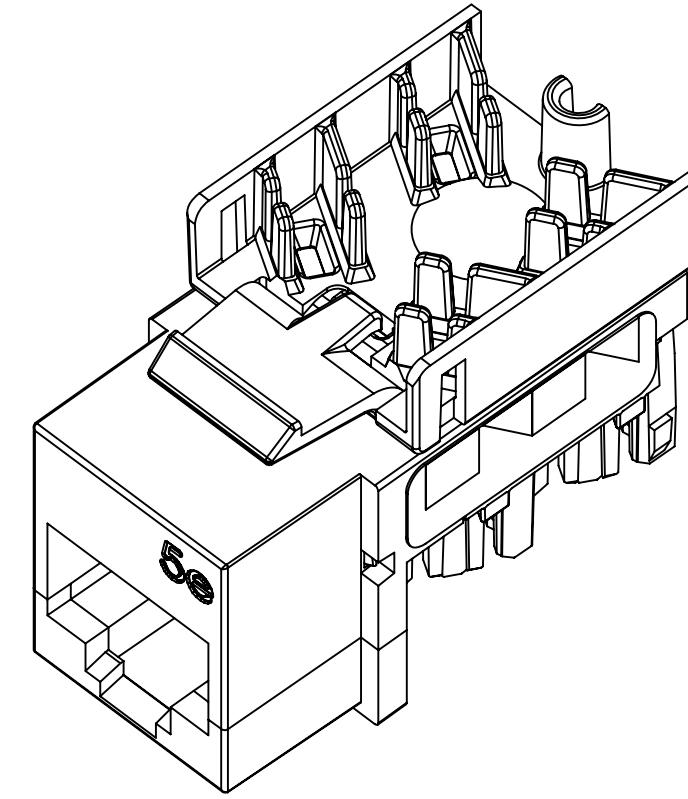
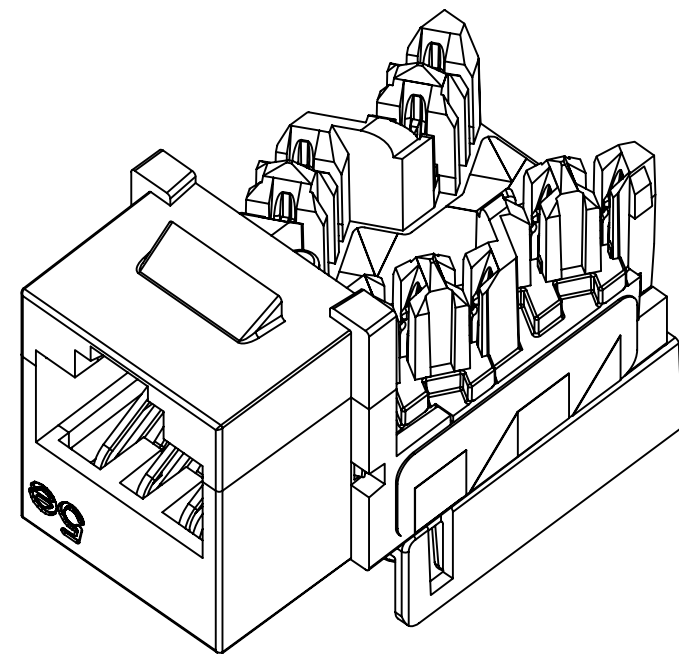
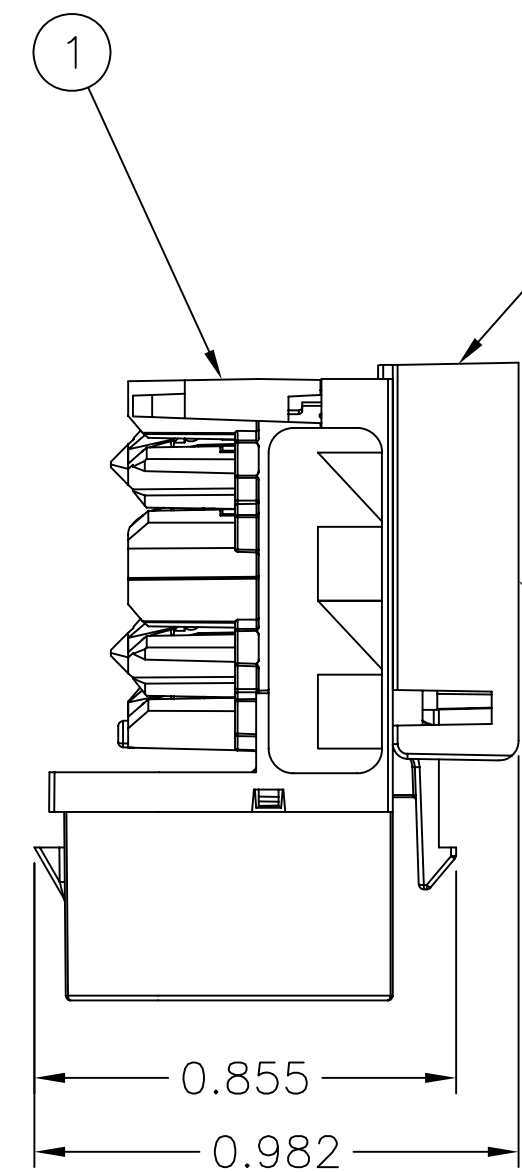
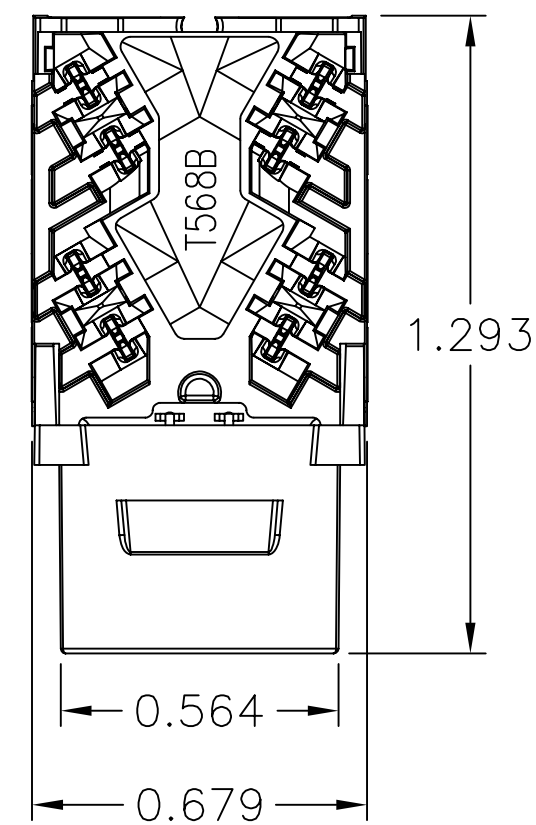


ITEM NO.	DESCRIPTION	QTY.
1	netSELECT NSJ5E SERIES JACKS	1
2	STUFFER CAP	1

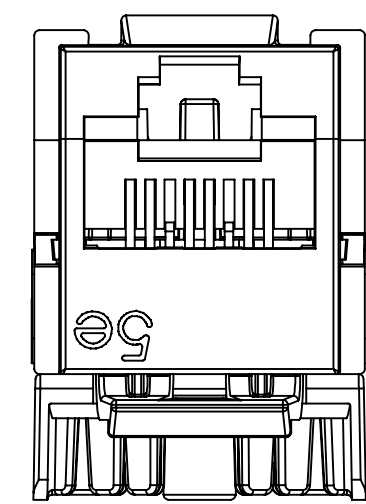
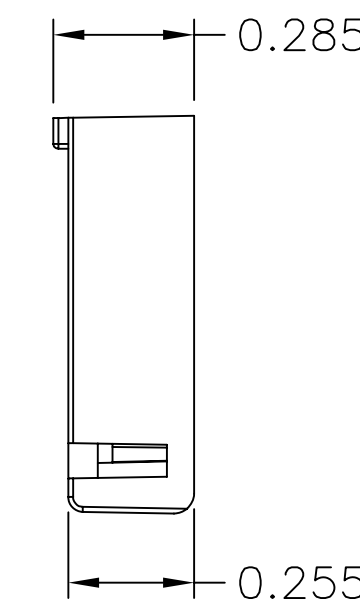
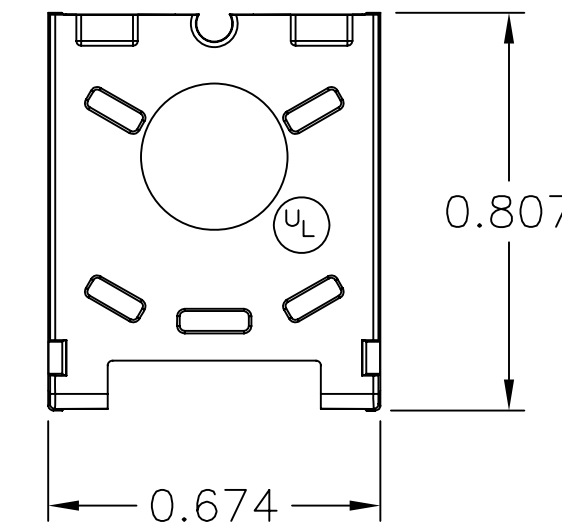
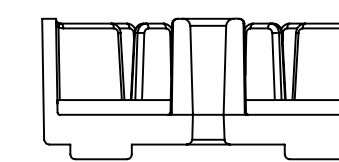
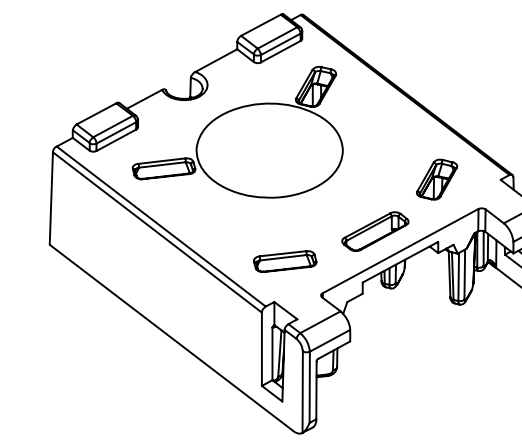
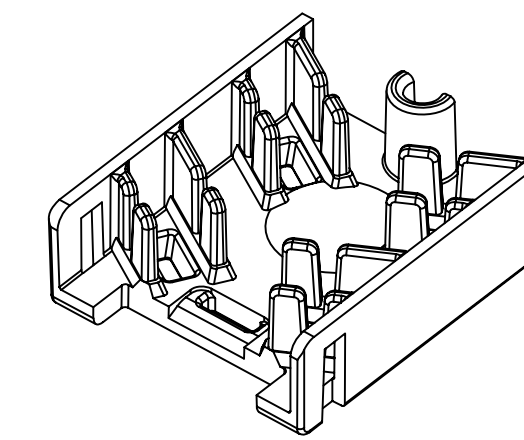


CATALOG NUMBER 25PK	CATALOG NUMBER	COLOR	LASER MARKING
NSJ5EB25	NSJ5EB	BLUE	N5EB
NSJ5EAL25	NSJ5EAL	ALMOND	N5EAL
NSJ5EW25	NSJ5EW	WHITE	N5EW
NSJ5EBK25	NSJ5EBK	BLACK	N5EBK
NSJ5EI25	NSJ5EI	ELECTRIC IVORY	N5EI
NSJ5EGY25	NSJ5EGY	GRAY	N5EGY
NSJ5EOR25	NSJ5EOR	ORANGE	N5EOR
NSJ5EOW25	NSJ5EOW	OFFICE WHITE	N5EOW
NSJ5ELA25	NSJ5ELA	LIGHT ALMOND	N5EOW
NSJ5EGN25	NSJ5EGN	GREEN	N5EGN
NSJ5EY25	NSJ5EY	YELLOW	N5EY
NSJ5ER25	NSJ5ER	RED	N5ER



STUFFER CAP FULLY INSERTED IN PRETERMINATION POSITION

STUFFER CAP FULLY INSERTED IN TERMINATED POSITION

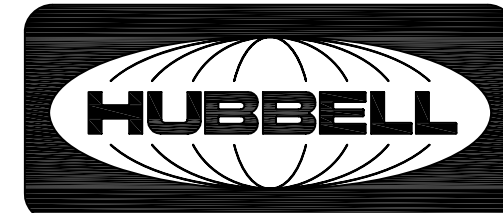


**NOTES**

UNLESS OTHERWISE SPECIFIED:

1. UL LISTED: E129878
2. CSA CERTIFIED: LR 80837
3. NOSE CONTACTS ARE BERYLLIUM COPPER WITH 50 MICRO INCH GOLD PLATING IN MATING AREA
4. IDC CONTACTS ARE TIN LEAD PLATED
5. ALL CONTACTS ARE UNDERPLATED IN NICKEL
6. SPECIFICATIONS SUBJECT TO CHANGE WITHOUT NOTICE

Created on AUTOCAD	DIMENSIONING AND TOLERANCE PER ANSI Y14.5M-1982 UNLESS OTHERWISE SPECIFIED, DIMENSIONS ARE IN INCHES (MM). TOLERANCES .XX = ±.01 (.25) .XXX = ±.005 (.127) .XXXX = ±.0025 (.0635) ANGLE TOL ±1°	PROJECT REFERENCE:
		MATERIAL:
		DRAWN BY: N. HERRING 6/29/06
		CHECKED BY:
	APPROVED BY:	

 <b>Hubbell Premise Wiring</b> HUBBELL INCORPORATED (Delaware) 14 Lord's Hill Road, Stonington, Connecticut 06378		TITLE: netSELECT NSJ5E SERIES JACKS	
		SIZE <b>C</b>	DRAWING NO. <b>HWS12233C</b>
SCALE: 2/1		SHEET 1 OF 1	

REV.	ECN	DATE	DESCRIPTION	CHG BY	APPD BY
D	6058	02/12/07	ADDED GREEN, YELLOW AND RED VERSIONS	MMA	