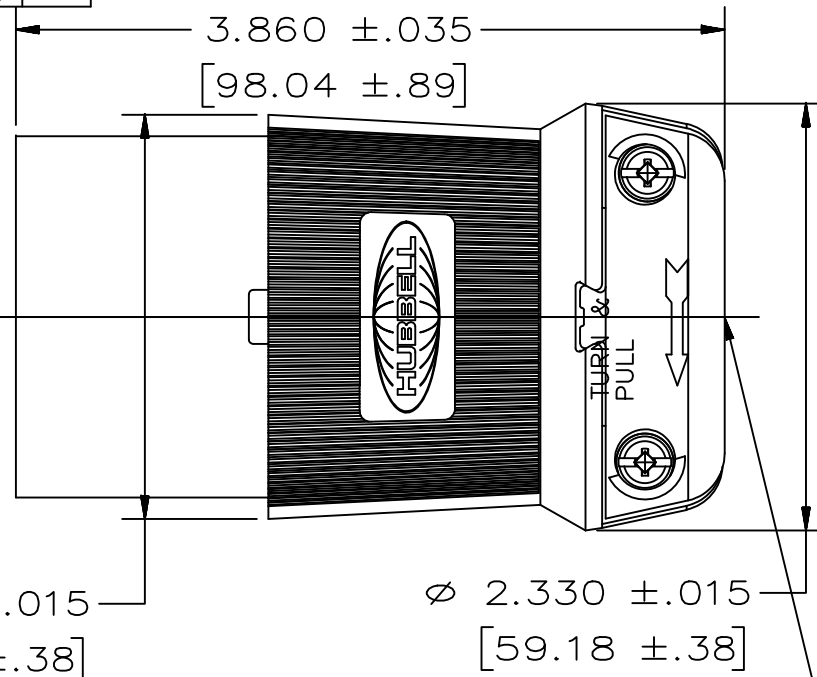
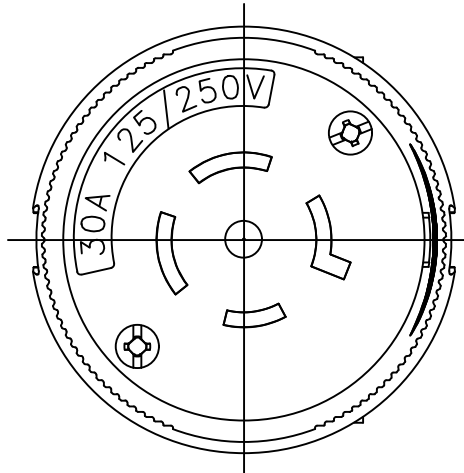
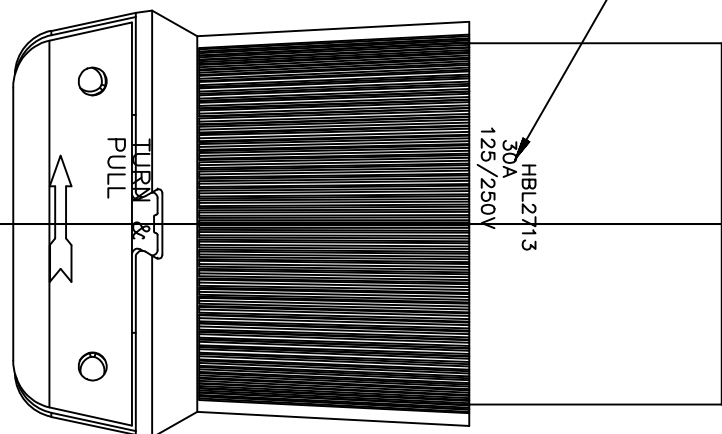


M-7904 7

CAT NO. & RATING PRINTED ON CONTACT BODY, COLOR CODE BY VOLTAGE

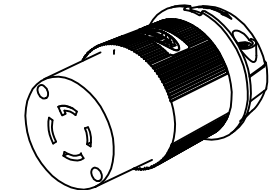


- NOTES:
1. ALL SCREWS ARE COMBINATION PHILLIPS/SLOTTED/ROBERTSON HEAD.
 2. REMOVED THIS NOTE.

NEMA NO.	RATING	POLE/WIRE	CAT NO.	CORROSION RESISTANT ^[B]	VOLTAGE COLOR CODE	UL	CSA	FED SPEC
L14-30R	125/250V	3P/4W GROUNDING	HBL2713 HBL2713BK ^[C]	HBL27CM13	ORANGE	YES	YES	YES
L15-30R	3Ø250 VAC	3P/4W GROUNDING	HBL2723	HBL27CM23	BLUE	YES	YES	YES
L16-30R	3Ø480 VAC	3P/4W GROUNDING	HBL2733	HBL27CM33	RED	YES	YES	YES
L17-30R	3Ø600 VAC	3P/4W GROUNDING	HBL2743	HBL27CM43	BLACK	YES	YES	YES
L18-30R	3ØY 120/208VAC	4P/4W NON-GROUNDING	HBL2753	-----	BLUE	YES	NO	YES
L19-30R	3ØY 277/480VAC	4P/4W NON-GROUNDING	HBL2763	-----	RED	YES	YES	YES
L20-30R	3ØY 347/60 ØVAC	4P/4W NON-GROUNDING	HBL2773	-----	BLACK	YES	NO	YES
L21-30R	3ØY 120/2 Ø8VAC	4P/5W GROUNDING	HBL2813 HBL2813BK ^[C]	HBL28CM13	BLUE	YES	YES	YES
L22-30R	3ØY 277/480VAC	4P/5W GROUNDING	HBL2823	-----	RED	YES	YES	YES
L23-30R	3ØY 347/600VAC	4P/5W GROUNDING	HBL2833	-----	BLACK	YES	YES	YES
L26-30R	3ØY 240/415VAC	4P/5W GROUNDING	HBL2803	-----	RED	YES	YES	YES

- ^[A] WHITE FINISH ON NEUTRAL CONTACT WHEN USED.
- ^[B] CM DEVICES SAME AS ABOVE EXCEPT: COVER & CORD CLAMP YELLOW TERMINAL SCREWS & CONTACT-NICKEL PLATED WIRE CLAMPS - BRASS, NICKEL PLATE ASSEM FASTENERS - STAINLESS STEEL
- ^[C] BK DEVICES ARE SAME AS ABOVE EXCEPT ALL BLACK

DESCRIPTION	MATERIAL	FINISH
COVER	NYLON	BLACK
CORD CLAMP	NYLON	NATURAL
CONTACT BODY	NYLON	NATURAL
RETAINER	POLY CARBONATE	CLEAR
CONTACTS	.031/040 BRASS	
CENTER GROUND CONTACT & TERM LUG (5 WIRE)	BRASS	
WIRE CLAMP	.080 CRS	NICKEL PLATE
#10 TERMINAL SCREWS	BRASS	^[A]
#10 GROUND SCREW	BRASS	GREEN
ASSEMBLY FASTENERS	STEEL	ZINC PLATE
DUST SHIELD	TPE	BLACK



CATALOG NO. HBL2813 (NOT SHOWN TO SCALE)

SYMBOL	REVISIONS	APP	DATE
7	ADDED L26-30R TO TABLE PER DCN 22357 JZW	TLS	8/30/16
6	REDRAWN WITH EMBEDDED CAD MODEL WITH NO CHANGES TO PART GEOMETRY. PER DCN 21895 SPN	DJP	02/05/16
5	ADDED DUST SHIELD TO LIST OF PARTS PER DCN 15675 SPN	DJP	4/22/09

THE DESIGN AND DIMENSIONS OF THE PRODUCT SHOWN ON THIS DRAWING ARE SUBJECT TO CHANGE WITHOUT NOTICE

TITLE 30A 4 & 5-WIRE TWIST-LOCK CONNECTOR

TOLERANCES UNLESS OTHERWISE SPECIFIED	WIRING DEVICE-KELLEMS HUBBELL INCORPORATED SHELTON, CT	
.XX= ±.01	DR. BY B.C.	APP. BY DJP
.XXX= ±.005	TR. BY	SCALE NONE
ANGLES= ±2°	CHK'D BY DJP	DATE 03/02/98

LEGEND: IN. [mm]

DIMENSION SHEET FOR CAT. NO. M-7904
 REPAIRABLE NON-REPAIRABLE