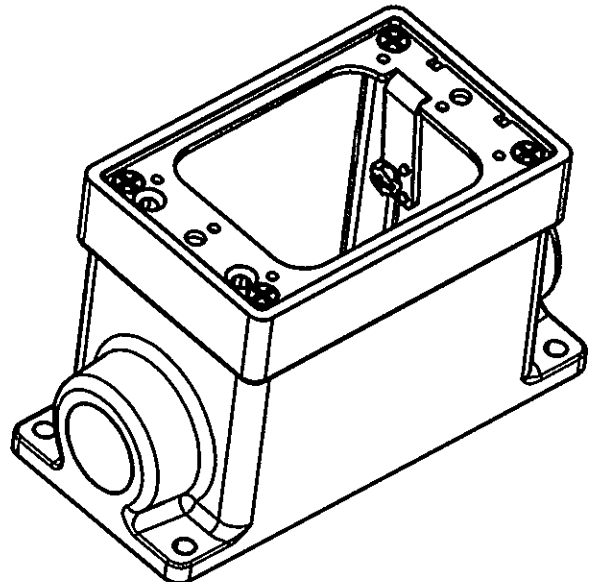
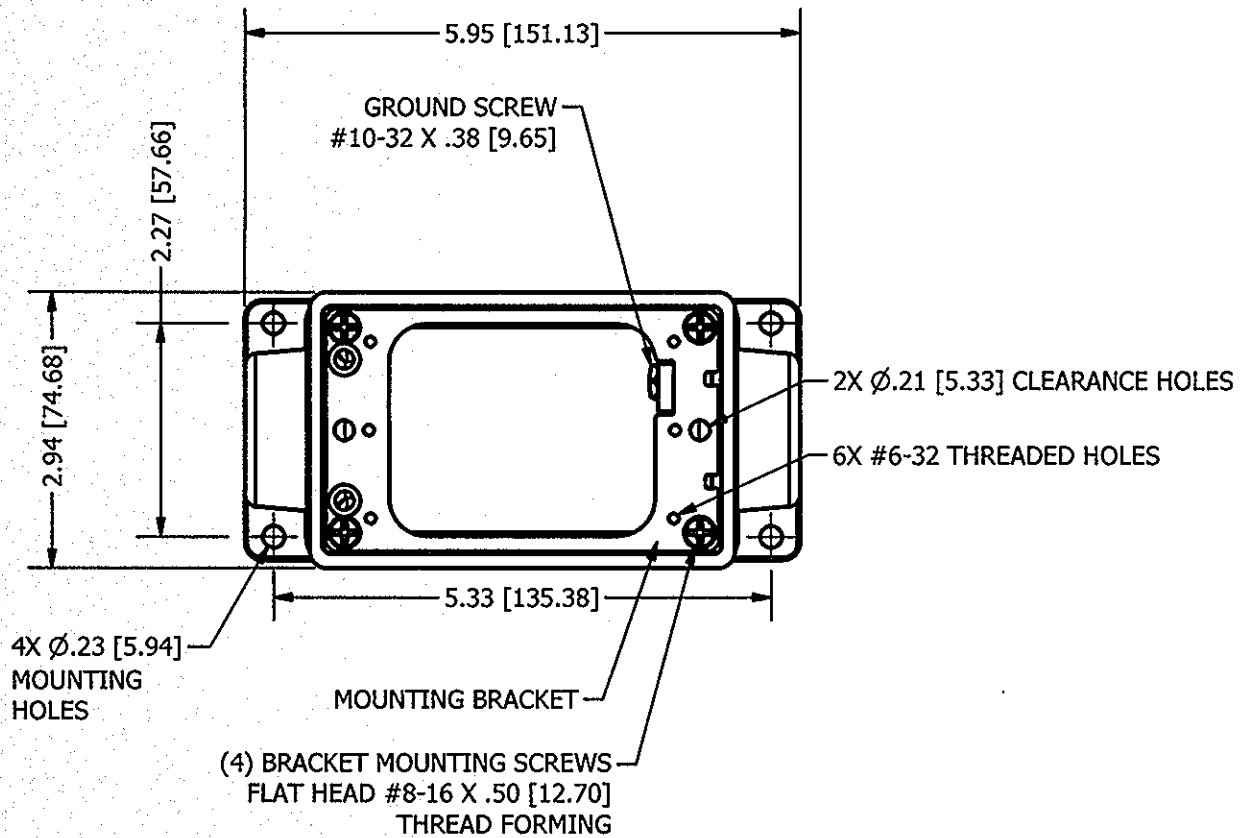
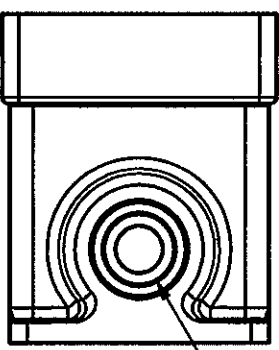
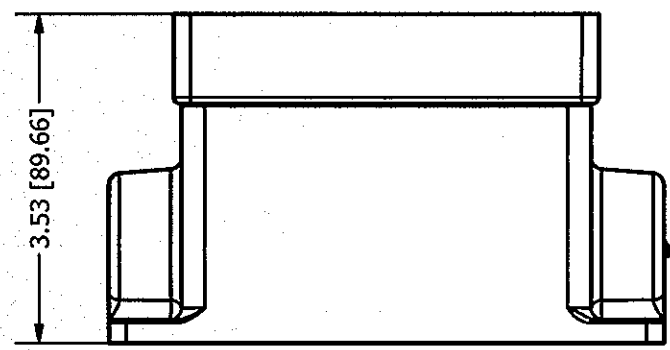


M-12902 | 1



CAT #	DESCRIPTION	HUB SIZE	COLOR
HBL60CM83A	WATERTIGHT FD BOX	3/4"NPT	YELLOW
HBL60CM83WA	WATERTIGHT FD BOX	3/4"NPT	WHITE
HBL6083	WATERTIGHT FD BOX	3/4"NPT	GRAY
HBL60CM84A	WATERTIGHT FD BOX	1"NPT	YELLOW
HBL60CM84WA	WATERTIGHT FD BOX	1"NPT	WHITE
HBL6084	WATERTIGHT FD BOX	1"NPT	GRAY



NOTES:  
1-ENC TYPE 3R,3RX,4X.  
2-FOR WET AND DAMP LOCATIONS.  
3-FOR USE WITH NON METALLIC WIRING SYSTEMS ONLY.  
4-VOLUME 30 CU.IN. (492 CU.CM).  
5-cULus LISTED.  
6-DIMENSIONS ARE IN INCHES [mm]

LIST OF PARTS

DESCRIPTION	MATERIAL	FINISH
FD BOX	PLASTIC PBT	TEXTURED
MOUNTING BRACKET	STAINLESS STEEL TYPE 304	PASSIVATED
SCREW, MOUNTING BRACKET	STAINLESS STEEL TYPE 302	PASSIVATED
SCREW, GROUND	BRONZE	GREEN

DIMENSION SHEET FOR CAT. NO. SEE TABLE REPAIRABLE  NON-REPAIRABLE  B M-12902 1

1	RELEASED PER DCN# 21013. MJZ, TLS	MZ	2-15-15
SYM	DESCRIPTION	APP'D	DATE

THE DESIGN AND DIMENSIONS OF THE PRODUCT SHOWN ON THIS DRAWING ARE SUBJECT TO CHANGE WITHOUT NOTICE

TITLE  
FD BOX 3/4"NPT OR 1"NPT

TOLERANCES UNLESS OTHERWISE SPECIFIED FRACTIONS ±1/64 DECIMALS ±005 ANGLES ±2°	WIRING DEVICE-KELLEMS HUBBELL INCORPORATED SHELTON, CT	
	DR. BY MJZ	APP. BY TLS
	TR. BY	SCALE 1:2
	CHK'D BY TLS	DATE 1-29-15