

NEMA NO.	RATING	POLE/WIRE	CATALOG NO.	VOLTAGE COLOR CODE
L14-30P	125/250V	3P/4W GROUNDING	HBL2715	ORANGE
L15-30P	3 Ø 250VAC	3P/4W GROUNDING	HBL2725 >HBL2725M309	BLUE
L16-30P	3 Ø 480VAC	3P/4W GROUNDING	HBL2735	RED
L17-30P	3 Ø 600VAC	3P/4W GROUNDING	HBL2745	BLACK
L18-30P	3 Ø Y 120/208VAC	4P/4W NON-GROUNDING	HBL2755	BLUE
L19-30P	3 Ø Y 277/480VAC	4P/4W NON-GROUNDING	HBL2765	RED
L20-30P	3 Ø Y 347/600VAC	4P/4W NON-GROUNDING	HBL2775	BLACK
L21-30P	3 Ø Y 120/208VAC	4P/5W GROUNDING	HBL2815	BLUE
L22-30P	3 Ø Y 277/480VAC	4P/5W GROUNDING	HBL2825	RED
L23-30P	3 Ø Y 347/600VAC	4P/5W GROUNDING	HBL2835	BLACK
L26-30P	3 Ø Y 240/415VAC	4P/5W GROUNDING	HBL2805	RED

M-7908

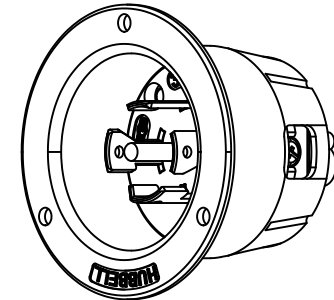
6

NOTES:

1. DIMENSIONS ARE IN INCHES [mm].
2. ALL SCREWS ARE COMBINATION PHILLIPS/SLOTTED/ROBERTSON HEAD.
3. > INDICATES EVALUATED BY UL IN ACCORDANCE WITH IEC 309-1.
4. * WHITE FINISH ON NEUTRAL BLADE WHEN USED.
5. CATALOG NO. & RATING PRINTED ON FLANGE COLOR CODE BY VOLTAGE.

LIST OF PARTS

DESCRIPTION	MATERIAL	FINISH
CASING	NYLON	NATURAL
BLADE HOLDER	NYLON	NATURAL
RETAINER	POLYCARBONATE	CLEAR
BLADE	.070 BRASS	
CENTER GROUND & TERMINAL LUG (5 WIRE)	BRASS	
WIRE CLAMP	.080 CRS	NICKEL PLATE
#10 TERMINAL SCREWS	BRASS	*
#10 GROUND SCREW	BRASS	GREEN
ASSEMBLY FASTENERS	STEEL	ZINC PLATE
#8 MOUNTING SCREWS	BRASS	NICKEL PLATE



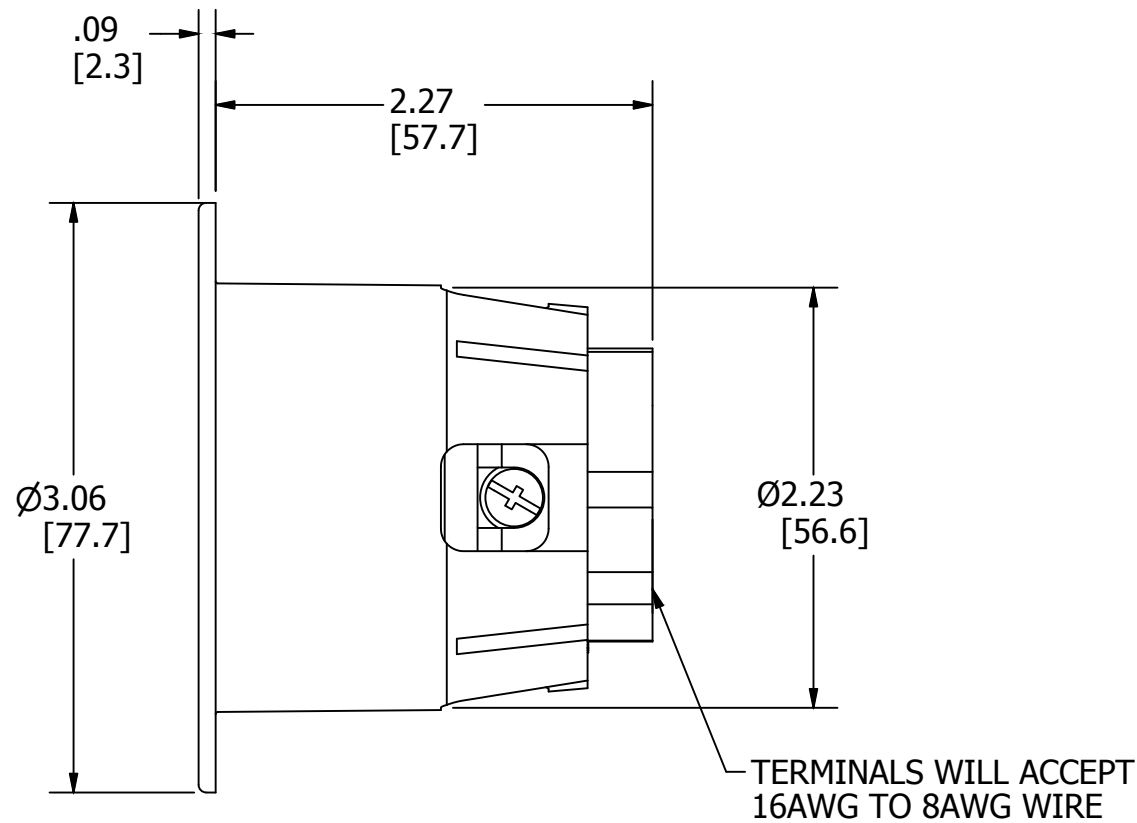
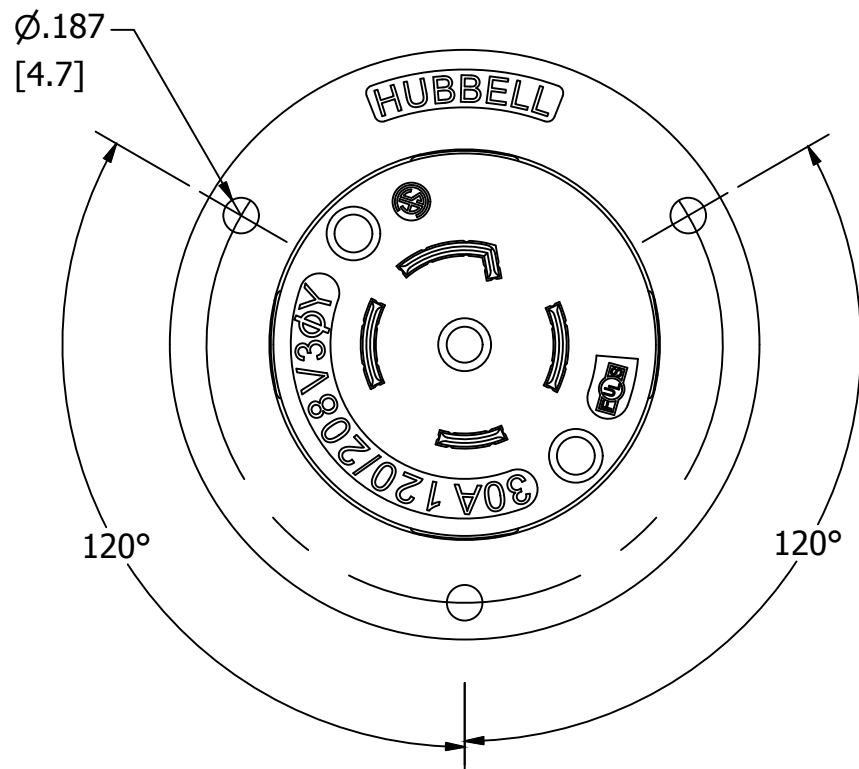
**CATALOG NO. HBL2815
(NOT SHOWN TO SCALE)**

REV	DESCRIPTION	APP	DATE
6	ADDED L26-30P PER DCN 22357 JZW	TLS	8/30/16
5	REVISED PER DCN 22024 SPN	DJP	5/19/16
4	REDRAWN WITH EMBEDDED CAD MODEL WITH NO CHANGES TO PART GEOMETRY. PER DCN 21895 SPN	DJP	2/5/16

THE DESIGN AND DIMENSIONS OF THE PRODUCT SHOWN ON THIS DRAWING ARE SUBJECT TO CHANGE WITHOUT NOTICE

TITLE
**30A 4 & 5-WIRE
TWIST-LOCK
FLANGE INLET**

TOLERANCES UNLESS OTHERWISE SPECIFIED .XX = ± .01 .XXX = ± .005 ANGLES = ± 2'	WIRING DEVICE-KELLEMS HUBBELL INCORPORATED SHELTON, CT			
	DR. BY	B.C.	APP. BY	DJP
	TR. BY		SCALE	1:1
	CHK. BY	DJP	DATE	2/12/98



DIMENSIONS STEEL FOR U.S.A. - INCHES
SEE TABLE
REPAIRABLE
NON-REPAIRABLE
B
M-7908
6